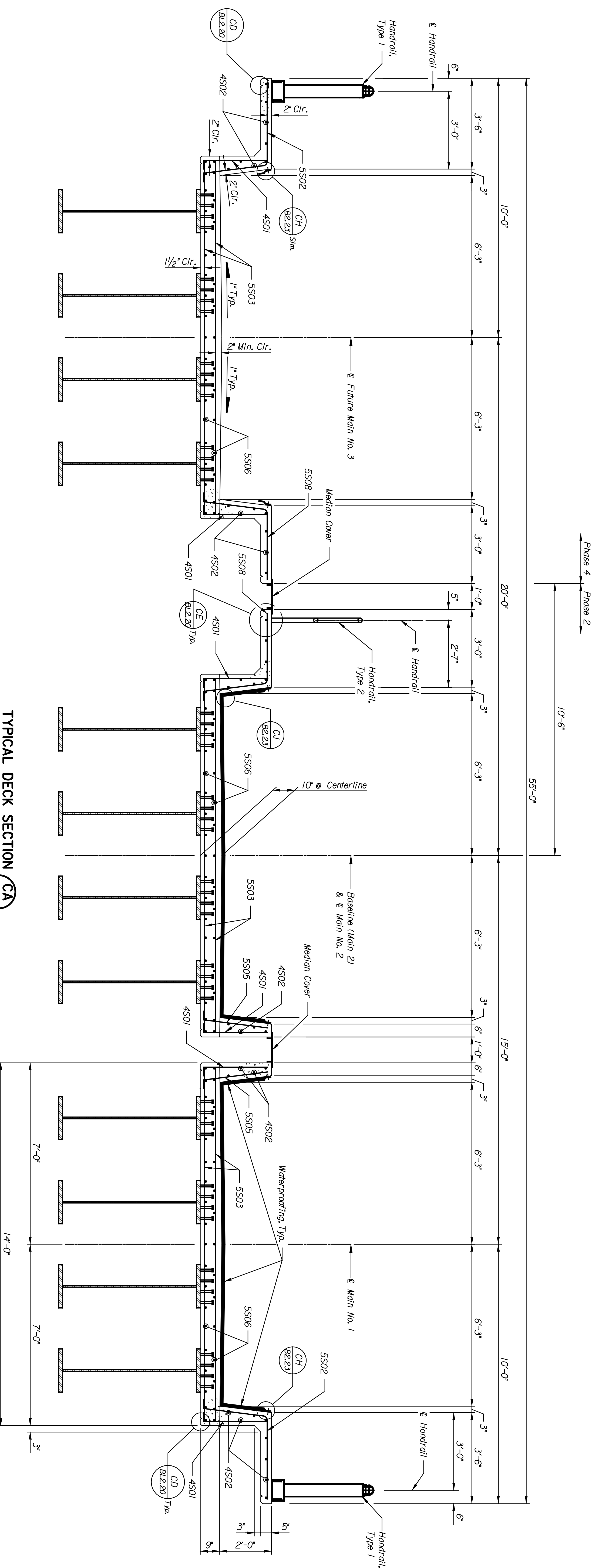
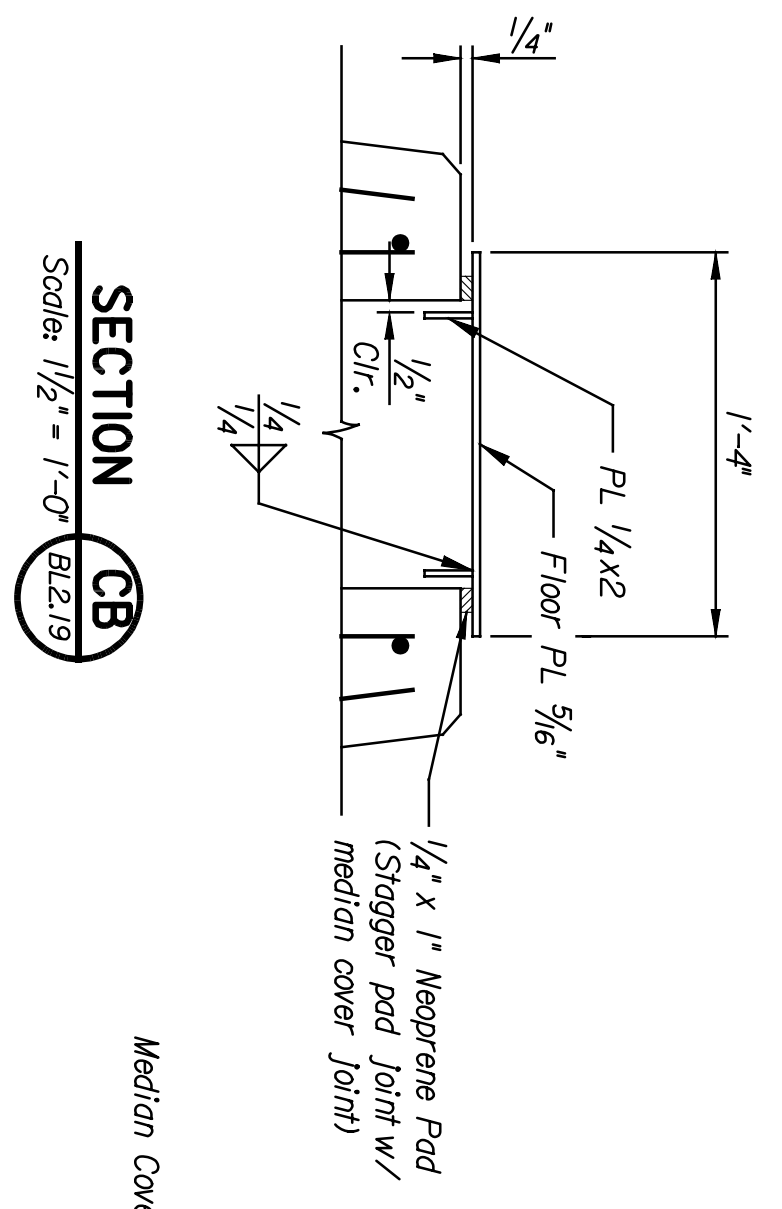


BY	DATE

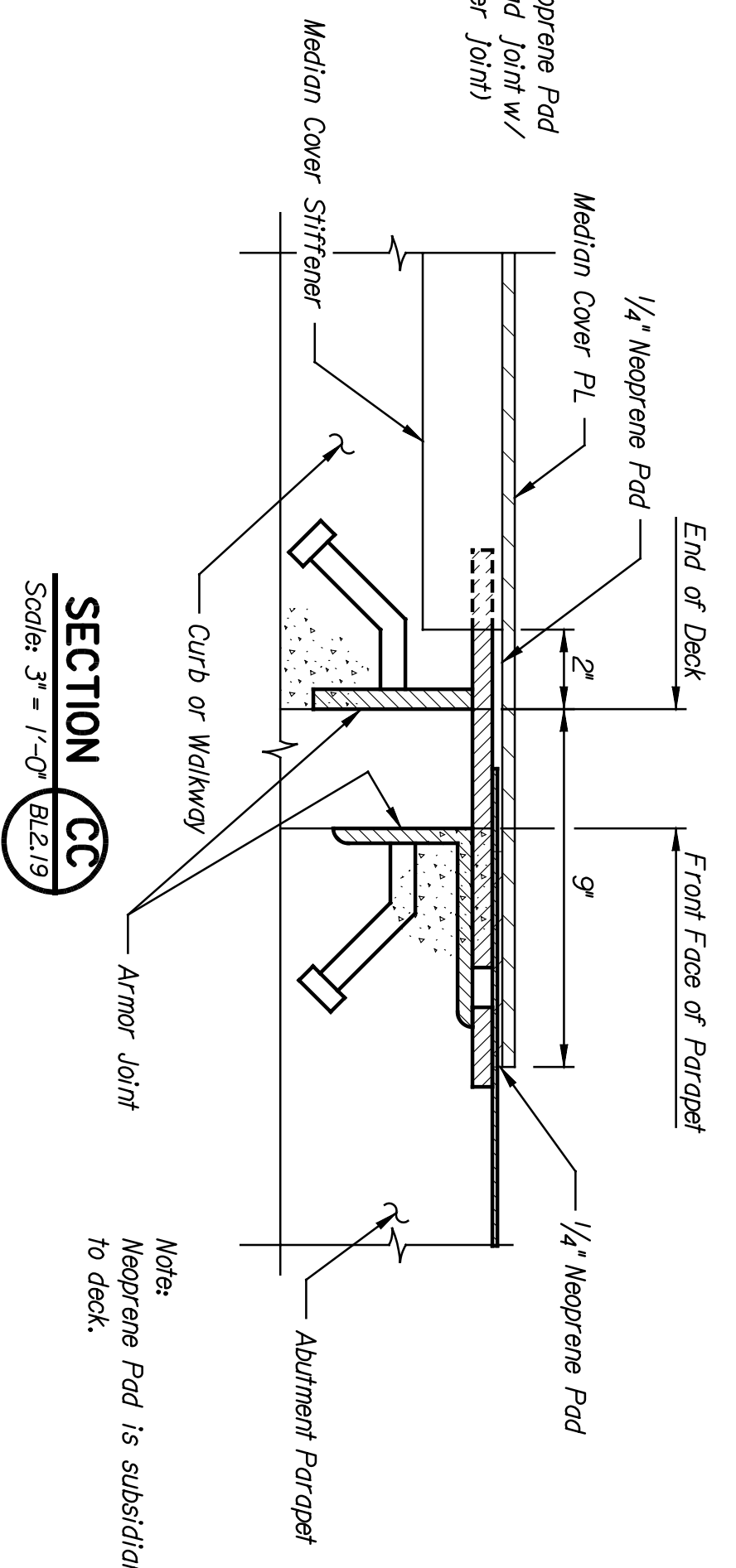


TYPICAL DECK SECTION CA
 Scale: 1/2" = 1'-0"



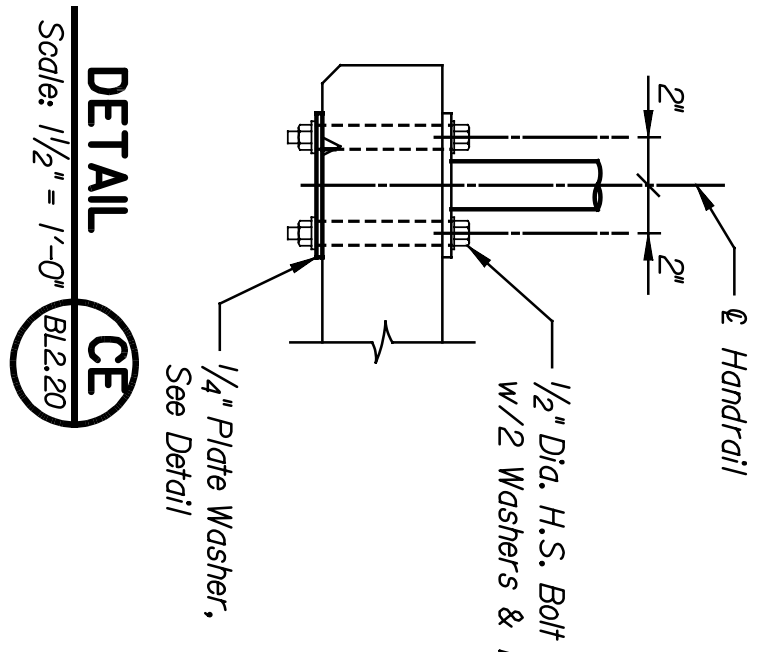
SECTION CB
 Scale: 1/2" = 1'-0"

Note:
 Minimum Length of Median Cover Pile, 5'-0"
 Maximum Length of Median Cover Pile, 8'-0"



SECTION CC
 Scale: 3" = 1'-0"

Note:
 Neoprene Pad is subsidiary to deck.



DETAIL CE
 Scale: 1/2" = 1'-0"

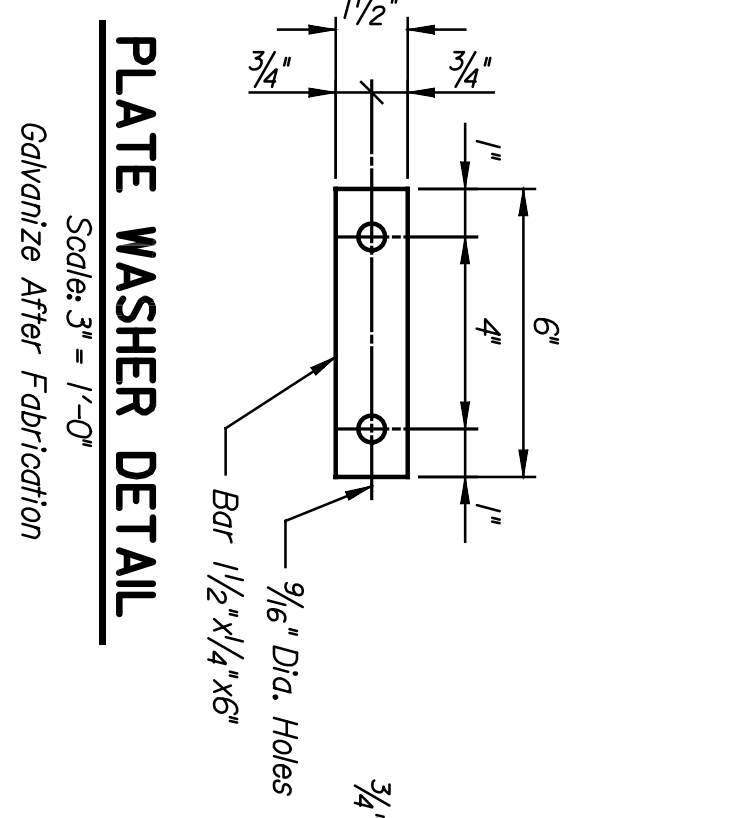
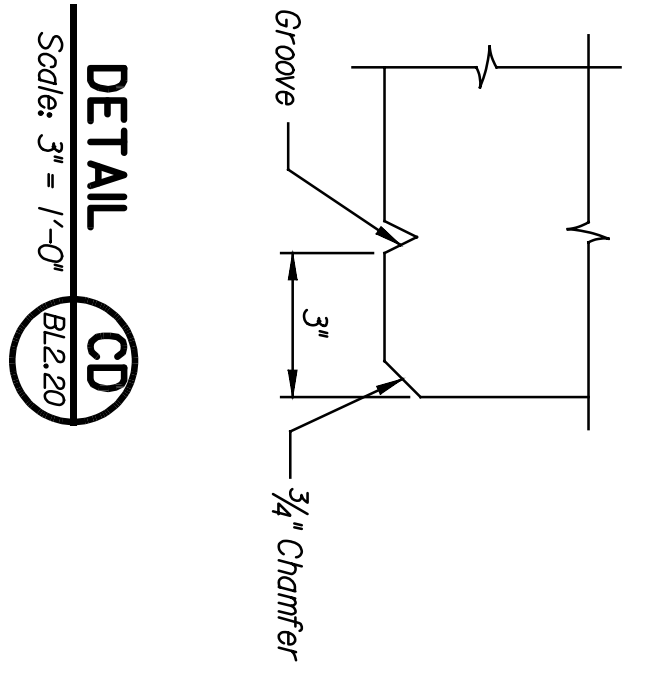


PLATE WASHER DETAIL
 Scale: 3" = 1'-0"



DETAIL CD
 Scale: 3" = 1'-0"

PNTB
 ARCHITECTS ENGINEERS PLANNERS

This sheet designed by:

LOCATION: RWSF BR. 201A	WICHITA, KS
LINE SEGMENT: 7400	
SHEET NO. 08	SCALE: AS NOTED
DESIGNED: GAB	DETAILED: BLM
CHECKED: SALS	DATE: JWH
APPROVED: [Signature]	DATE: [Signature]

REVISIONS	
NO.	DATE

CITY OF WICHITA
WICHITA CENTRAL CORRIDOR
 ALTERNATE 5
 13TH STREET
 DECK SECTION & DETAILS

STATE	PROJECT NO.	YEAR	SHEET NO.	TOTAL SHEETS
KANSAS	472-84071	2005	B12.20	