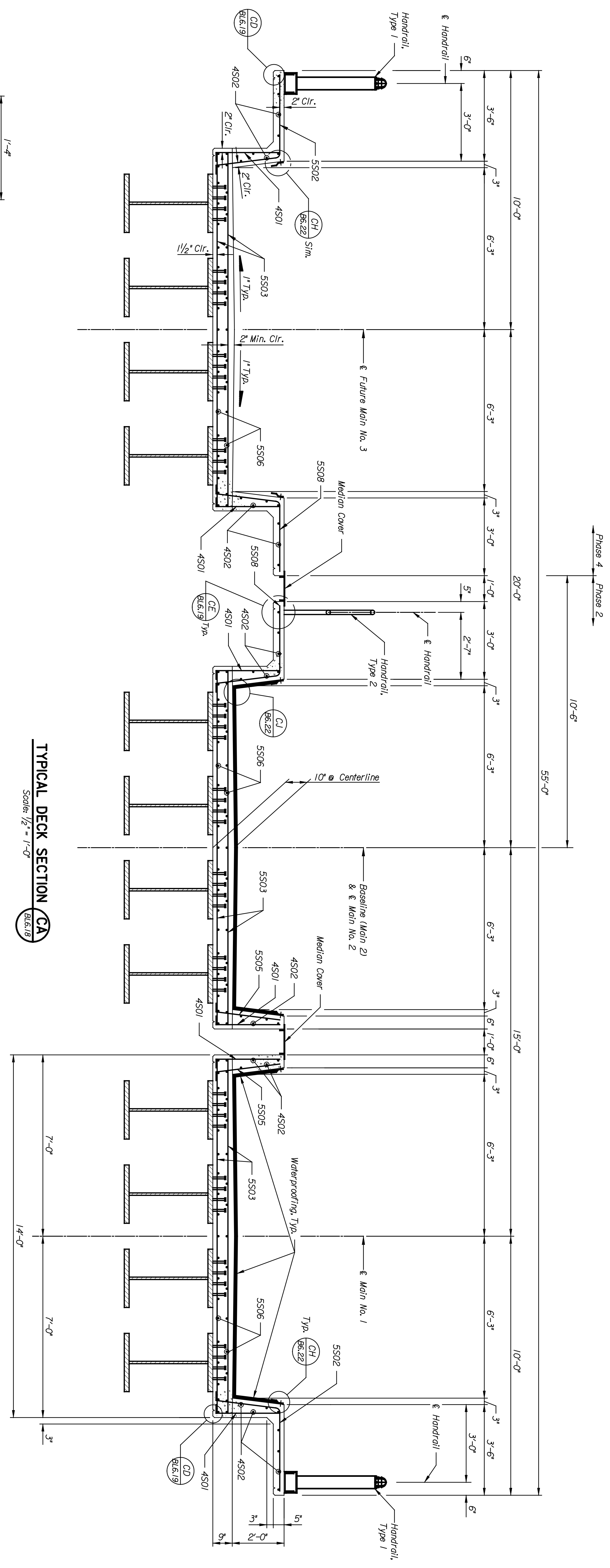


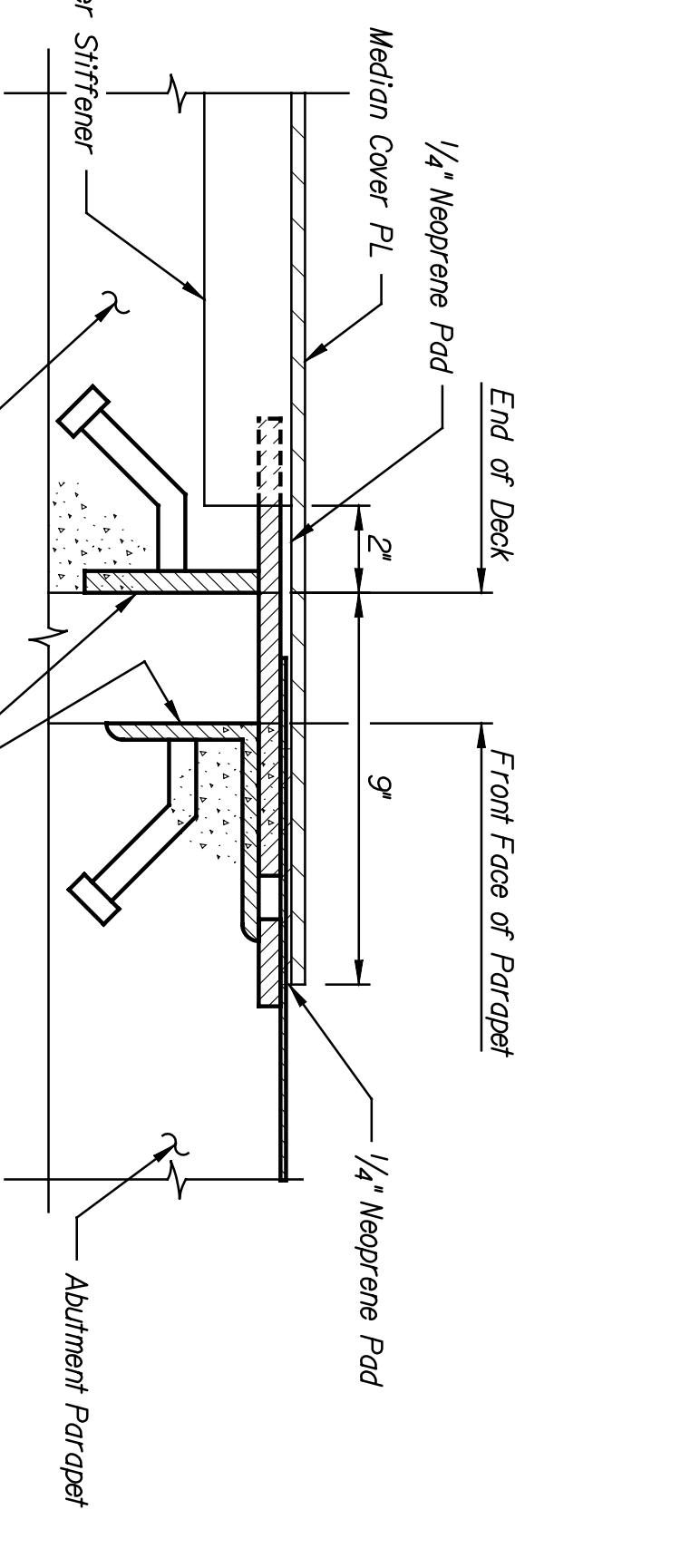
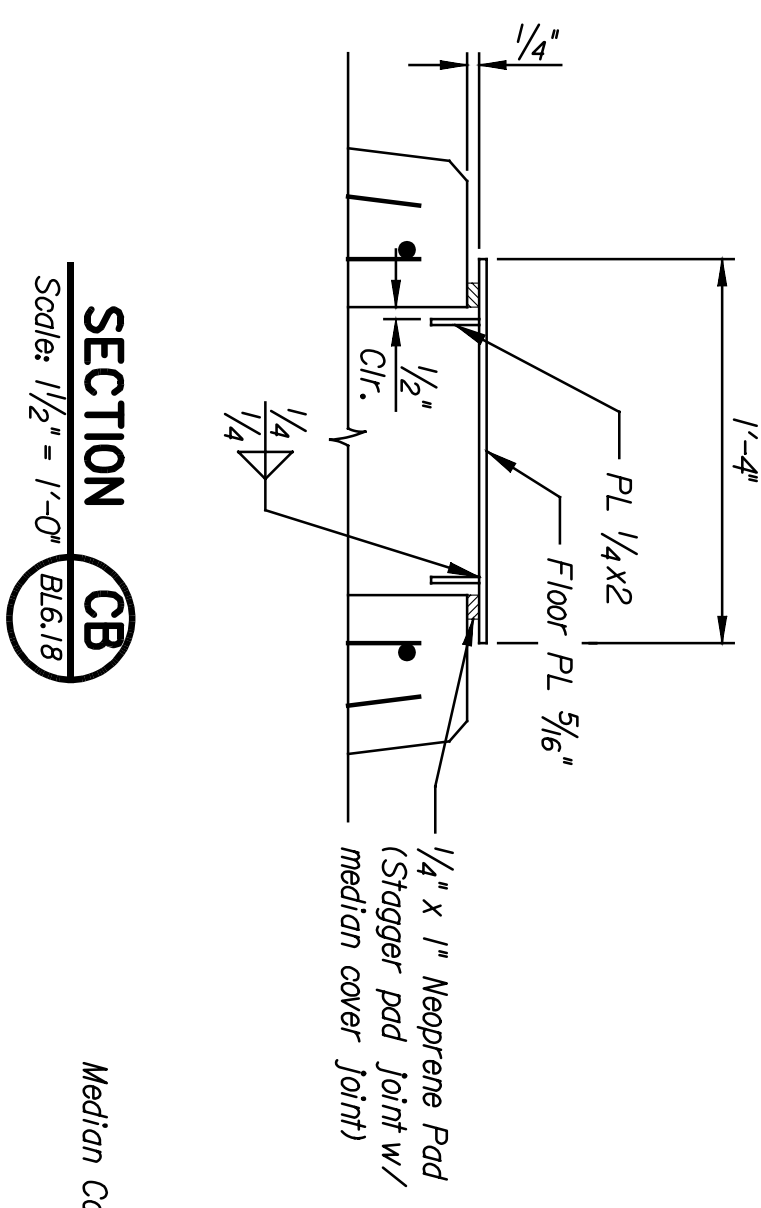
| | | | | |
|--------|-------------|------|-----------|--------------|
| STATE | PROJECT NO. | YEAR | SHEET NO. | TOTAL SHEETS |
| KANSAS | 472-84071 | 2005 | BL6.19 | |

| | |
|----|------|
| BY | DATE |
| | |

Plotted on: 04-JAN-2005 11:22 *time*
 scindrell Plot Queue: #queue#
 Plot Scale: #scale# Pen Table: #pentables#
 Design Filename: k:\b29049\BridgesDec2004\Boliard Lighting Alternate\01stStreet\drawings\fl8.dgn

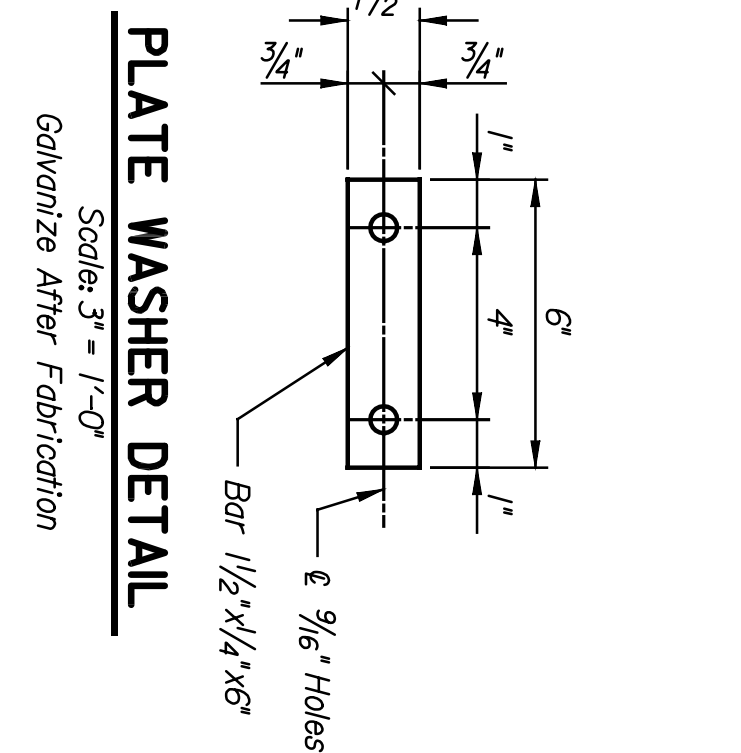
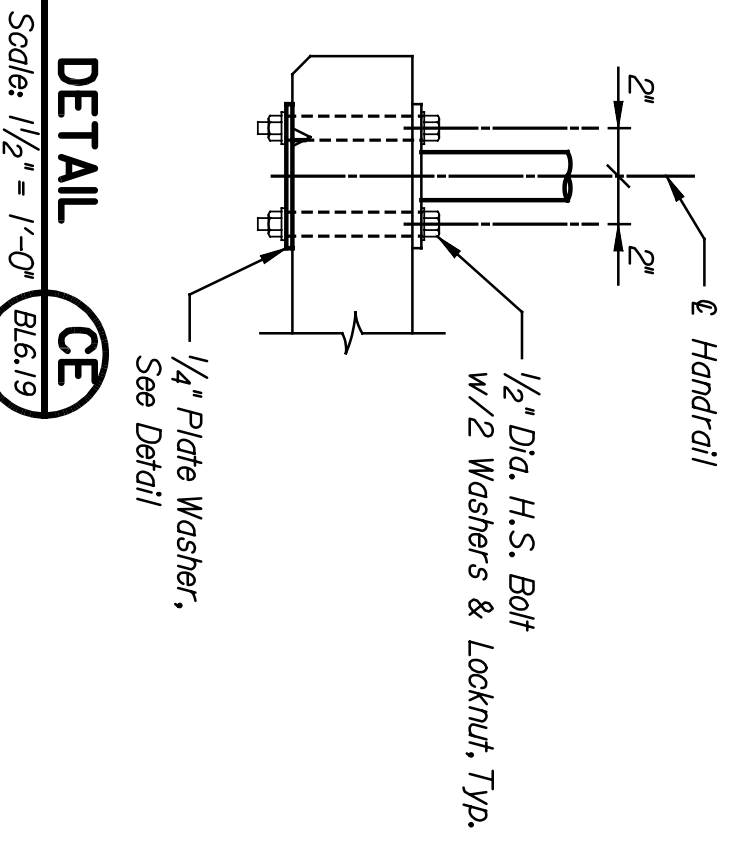


TYPICAL DECK SECTION (CA)
 Scale: 1/2" = 1'-0"
 BL6.19



SECTION (CB)
 Scale: 1/2" = 1'-0"
 BL6.19

SECTION (CC)
 Scale: 3" = 1'-0"
 BL6.19



DETAIL (CE)
 Scale: 1/2" = 1'-0"
 BL6.19

DETAIL (CD)
 Scale: 3" = 1'-0"
 BL6.19

Note:
 Minimum Length of Median Cover Plate, 5'-0"
 Maximum Length of Median Cover Plate, 8'-0"

This sheet designed by:



ARCHITECTS ENGINEERS PLANNERS

| | | | |
|---|-----------------|-------------------|-------------|
| LOCATION: RANSF BR. 202 WICHITA, KS | | LINE SEGMENT 7400 | |
| SHEET NO. 05 | SCALE: AS NOTED | APP'D. | |
| DESIGNED: EKD | DETAILED: DJL | QUANTITIES: DJL | TRACED: DJL |
| DESIGN: GK | DETAIL: GK | CHK: JWH | TRACE: GK |
| CITY OF WICHITA WICHITA CENTRAL CORRIDOR ALTERNATE 5 1ST STREET DECK SECTION & DETAILS | | | |
| NO. | | REVISIONS | |
| 3 | | | |
| 2 | | | |
| 1 | | | |
| DATE | | BY | APP'D. |