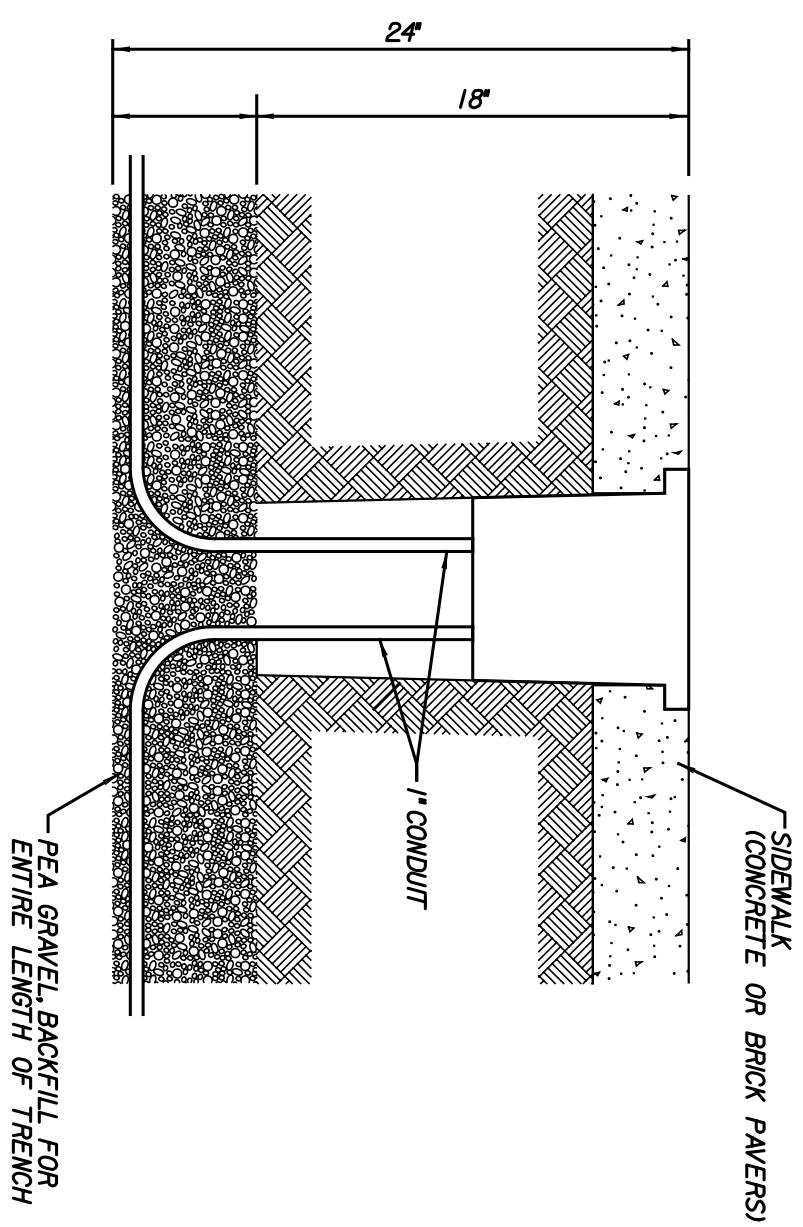
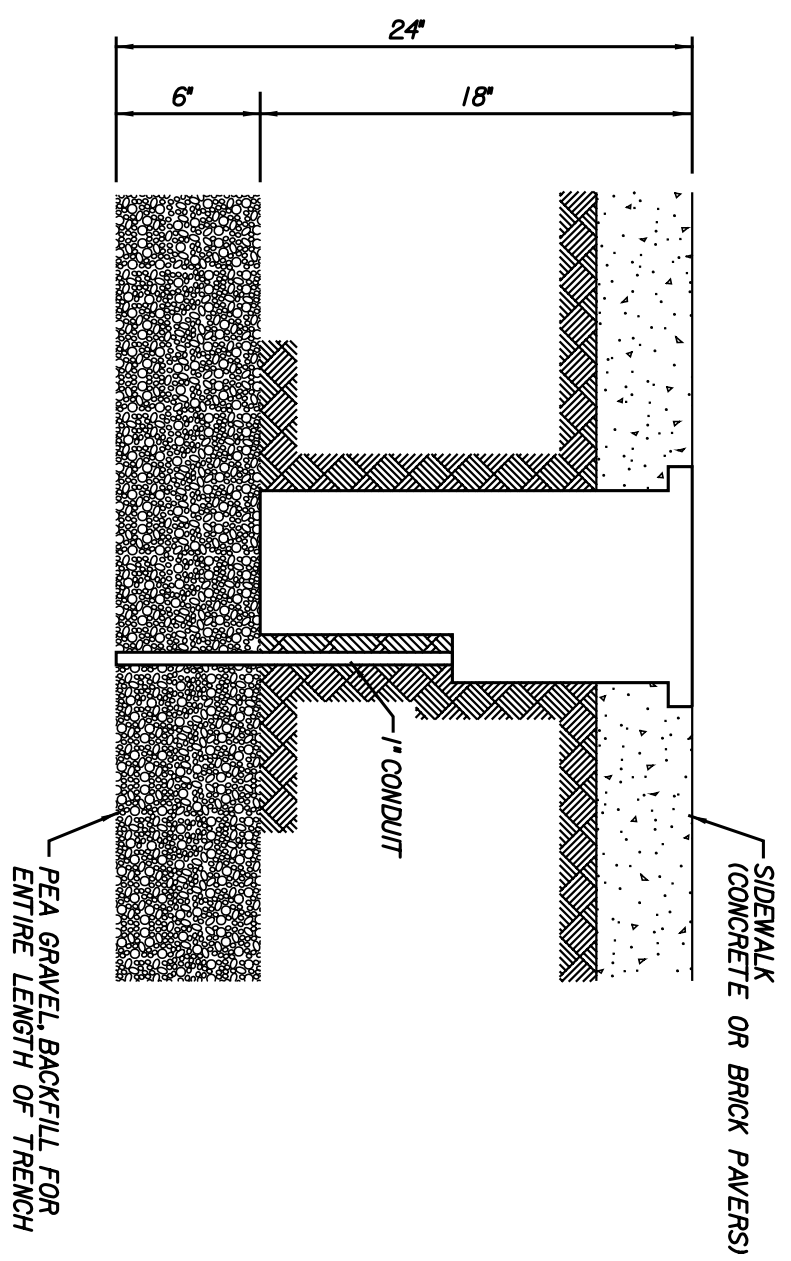


	BY	DATE

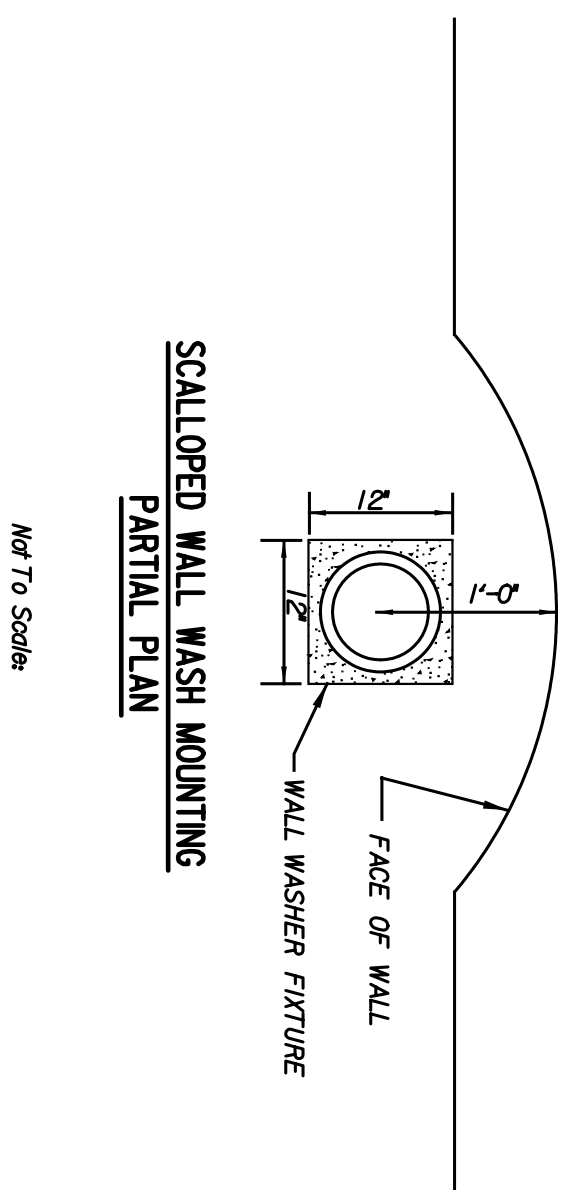
Plotted on: Tuesday, January 04, 2005 09:52  
 dlutz Plot Queue: \\cbsw100\KC029049-PS  
 Plot Scale: 1:0000000:1.000000 Pen Table: J:\29049\Library\plotpen\1fg-fullsize.pen  
 Design Filename: \\kcow30\elec\29049\Dwgs\cads Plan C Alt 6\light\_details.dgn

STATE	PROJECT NO.	YEAR	SHEET NO.	TOTAL SHEETS
KANSAS	472-94071	2005	WLL6	

Alternate #6



**WALL WASH MOUNTING DETAIL**  
 Not To Scale



**SCALLOPED WALL WASH MOUNTING PARTIAL PLAN**  
 Not To Scale

This sheet designed by:

**HNTEB**  
 ARCHITECTS ENGINEERS PLANNERS

3					
2					
1					
NO.	DATE	REVISIONS	BY	APP'D.	
<b>CITY OF WICHITA</b>					
<b>WICHITA CENTRAL CORRIDOR</b>					
ALTERNATE 6					
WALL WASH LUMINAIRE DETAILS					
SHEET NO.	OF	SCALE AS NOTED	APP'D.	DESIGNED	TRACED
DESIGN OK.	DBL	DETAIL OK.	DBL	QUANTITIES	TRACED OK.