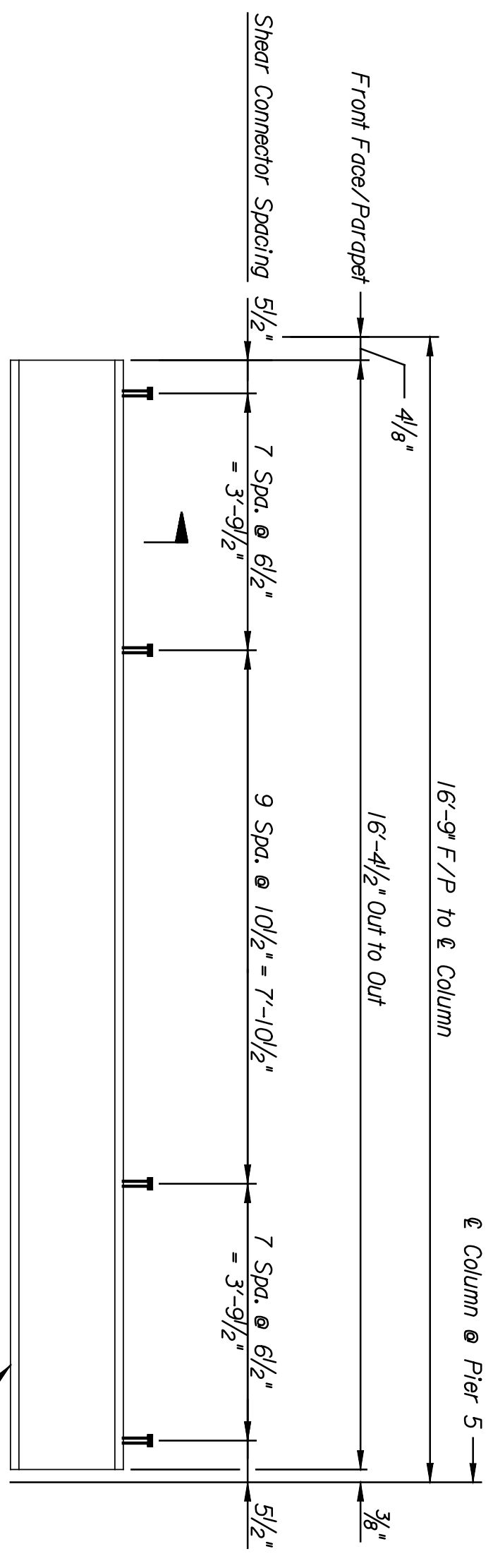


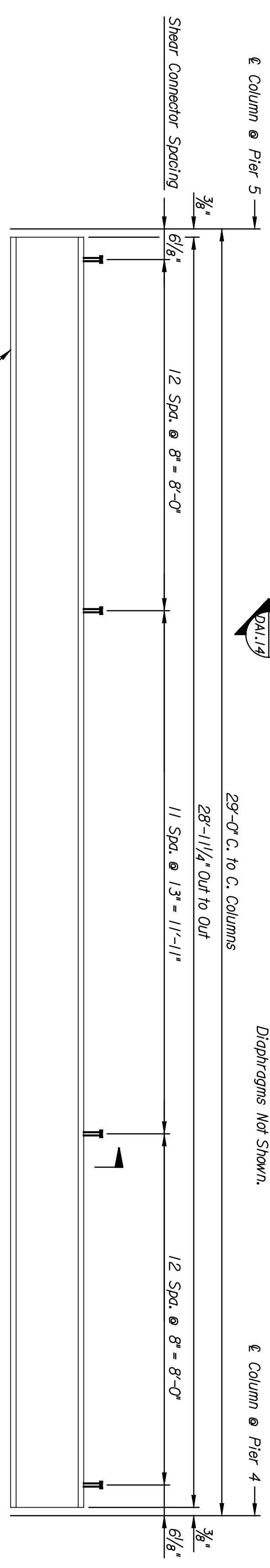
DATE	BY

Plotted on: 04-JAN-2005 12:26 \$time\$  
 dJamison Plot Queue: \$queue\$  
 Plot Scale: \$scale\$ Pen Table: \$pentables\$  
 Design Filename: K:\B29049\BridgesDec2004\Douglas Alternate\Drawings\d05.dgn.



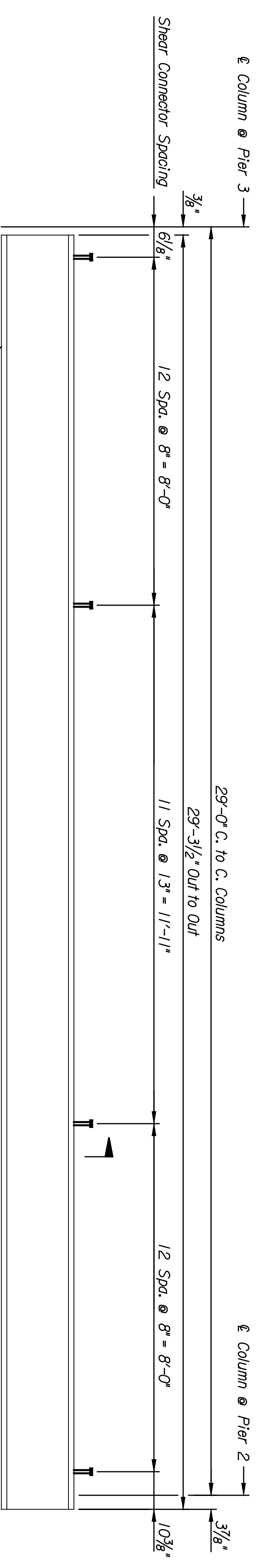
**ELEVATION S**  
 Scale: 1/2" = 1'-0"  
 DAI.13

Notes:  
 Span 5 Shown,  
 Span 1 Similar,  
 Diaphragms Not Shown.



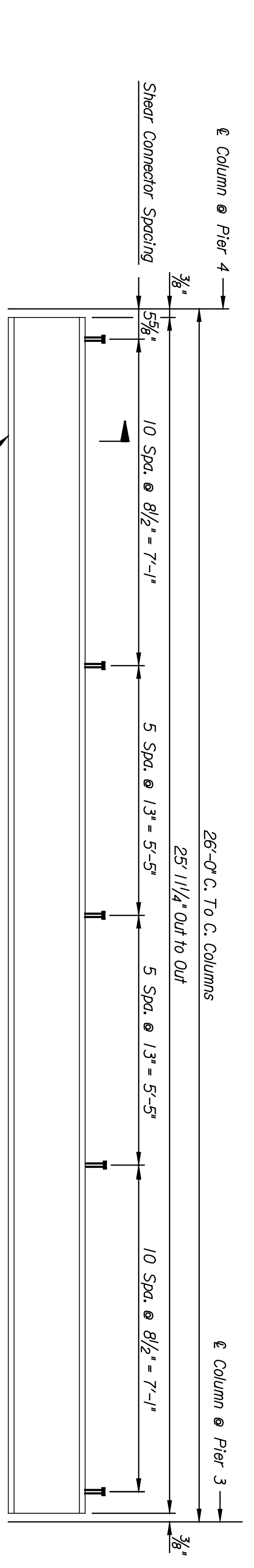
**ELEVATION T**  
 Scale: 1/2" = 1'-0"  
 DAI.13

Notes:  
 Span 4 Shown,  
 Span 2 Similar,  
 Diaphragms Not Shown.



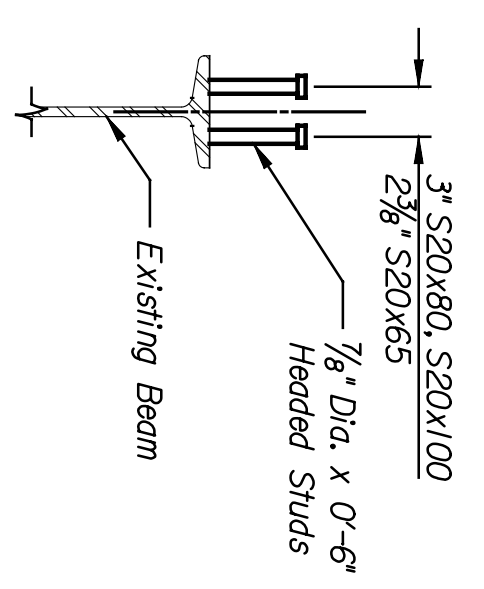
**ELEVATION U**  
 Scale: 1/2" = 1'-0"  
 DAI.13

Notes:  
 Span 2 Shown,  
 Span 4 Similar,  
 Diaphragms Not Shown.



**ELEVATION V**  
 Scale: 1/2" = 1'-0"  
 DAI.13

Notes:  
 Diaphragms Not Shown.



**SECTION W**  
 Scale: 1" = 1'-0"  
 DAI.14

This sheet designed by:



ARCHITECTS ENGINEERS PLANNERS

STATE	PROJECT NO.	YEAR	SHEET NO.	TOTAL SHEETS
KANSAS	472-84071	2005	DAI14	

LOCATION: RWSF BR. 201A	WICHITA, KS	LINE SEGMENT 7400
SHEET NO. 05	SCALE: AS NOTED	APP'D.
DESIGNED: EKD	DETAILED: WFB	QUANTITIES: DJL
DESIGN GR.: CWS	DETAILED GR.: JWH	DRWING: DMH
TRACED GR.: DMH		
<b>WICHITA CENTRAL CORRIDOR</b> ALTERNATE 8 DOUGLAS AVENUE EXISTING BEAM DETAILS		
REVISIONS NO. DATE BY APP'D.		
3		
2		
1		