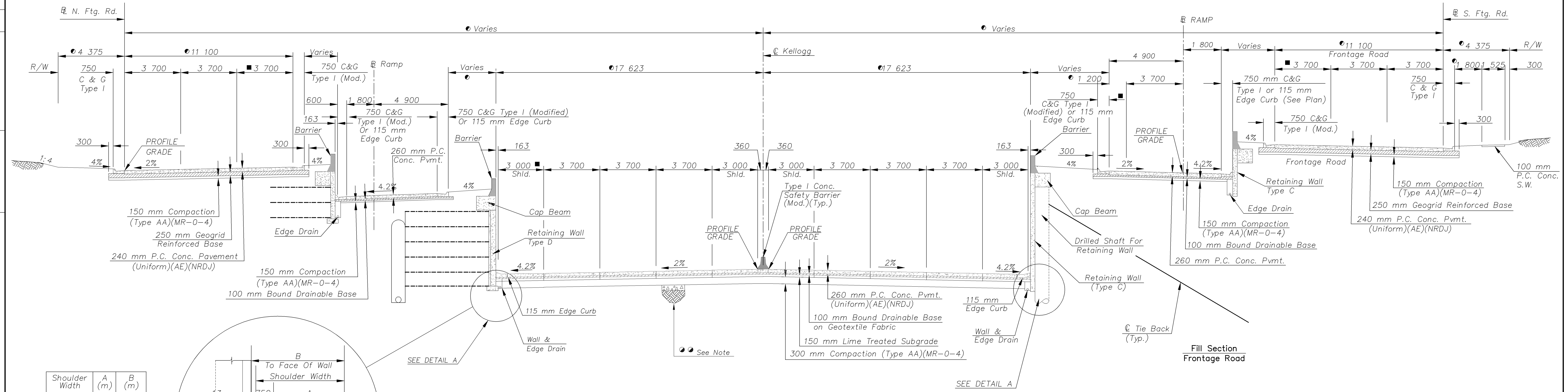
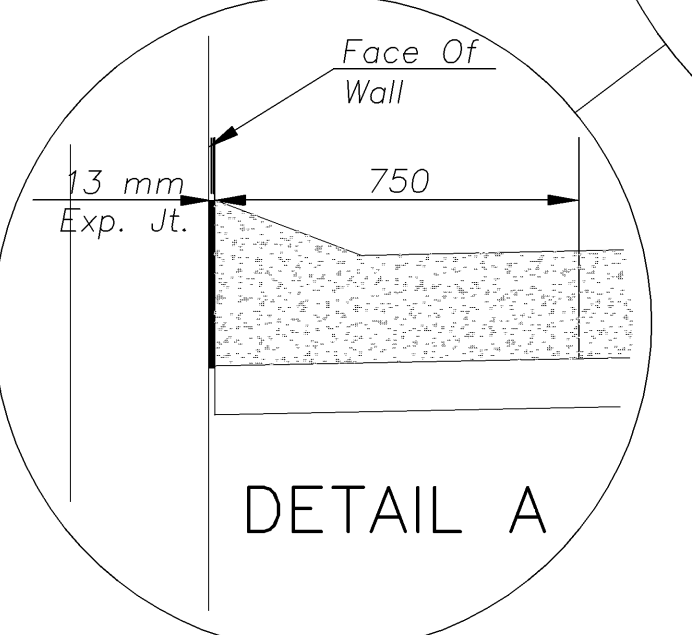
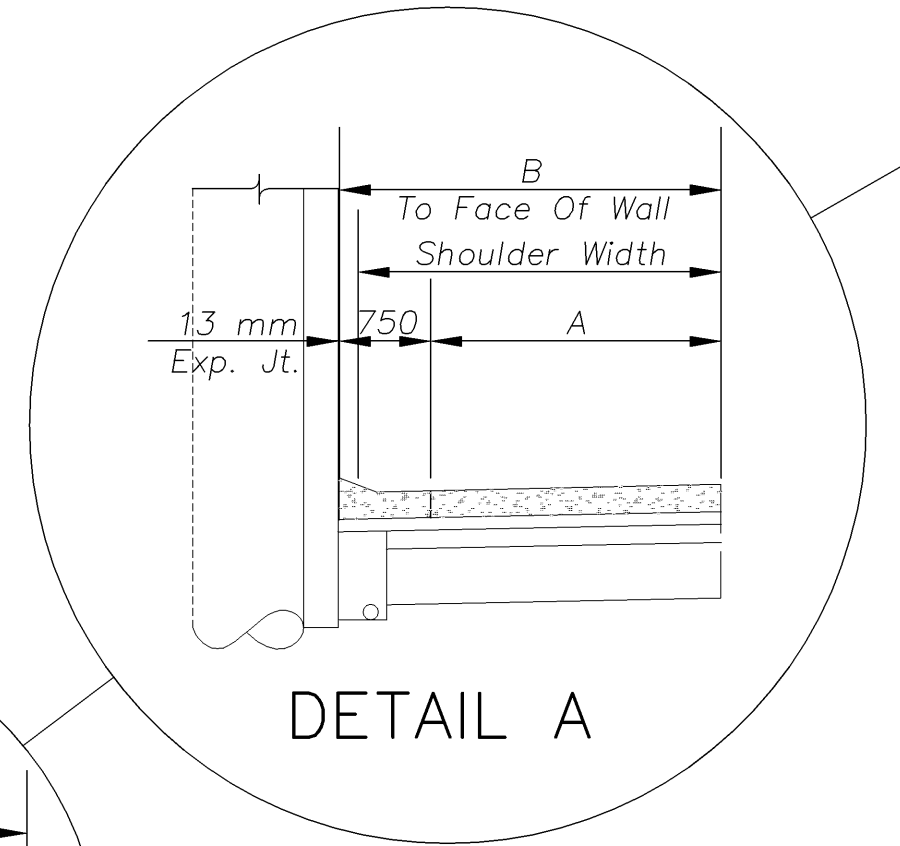


DATE	
BY	
REFERENCE NOTED	
REFERENCE CHECKED	

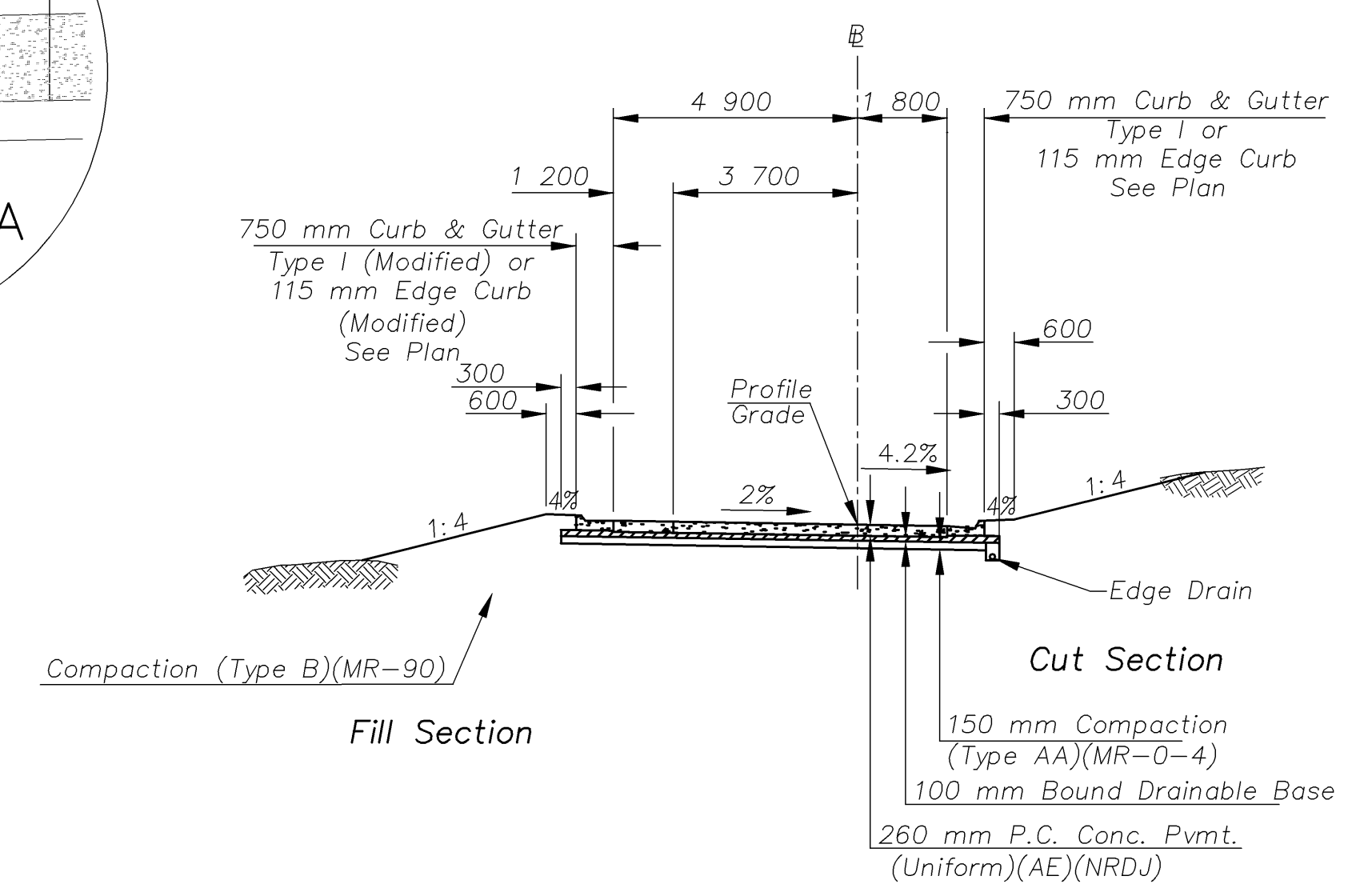


Shoulder Width	A (m)	B (m)
1.8 m	1.2	1.963
2.4 m	1.8	2.563
3.0 m	2.4	3.163

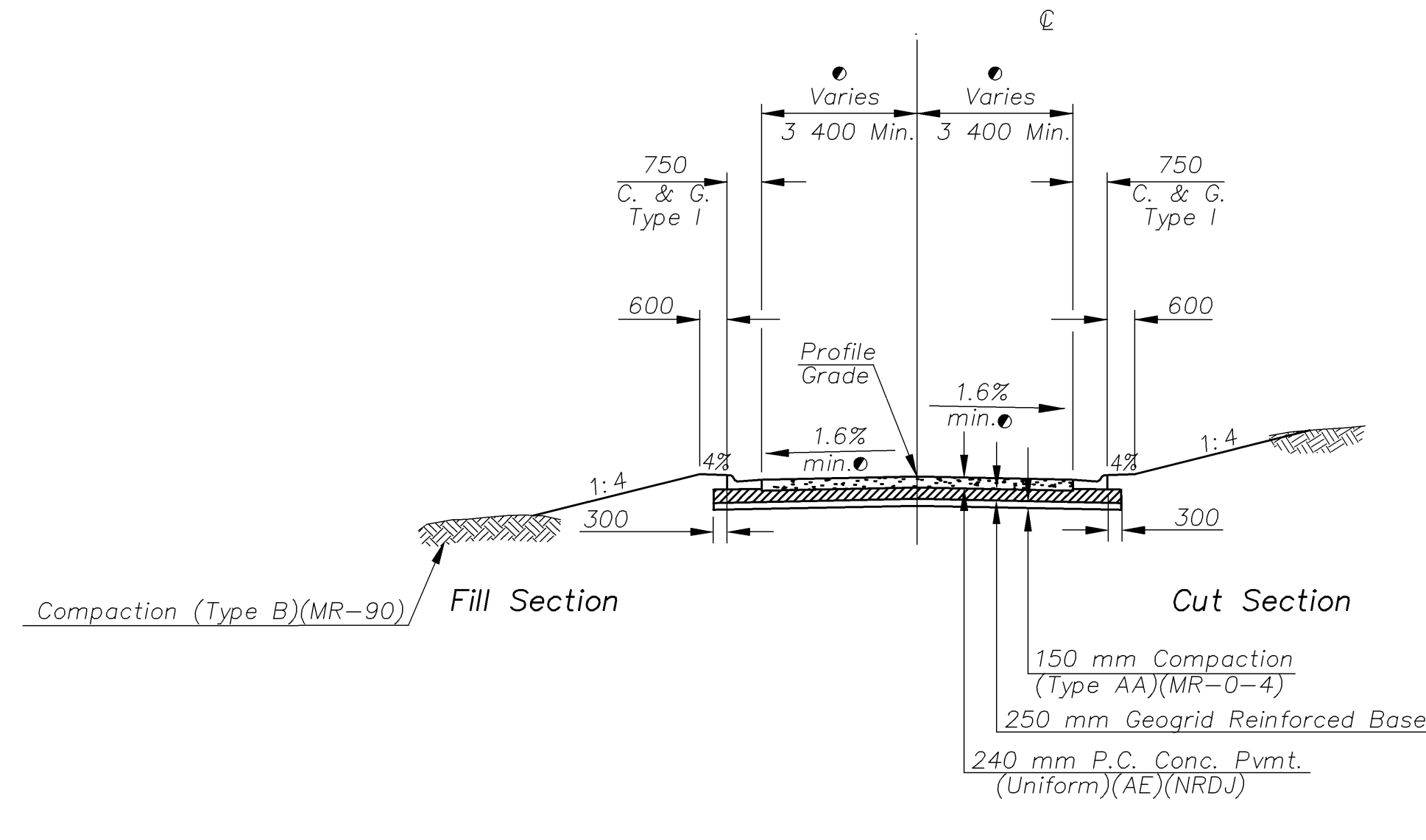


TYPICAL SECTION - DEPRESSED ROADWAY  
STA. 3+600.000 TO STA. 4+244.422

Overbreakage in the limestone or sandstone rock not designated to be subgraded shall be brought to within 200 mm of the subgrade line with crushed stone, shot rock, and/or rock rubble, properly compacted, and then brought to the subgrade line with crushed stone meeting the requirements for "Crushed Stone for Backfill" in accordance with the Standard Specifications. Layers of earth or shale will not be permitted for backfill up to the bottom of the crushed stone. Overbreakage in shale or in rock where shale is exposed shall be backfilled with low permeability soils listed as useable for subgrade construction in the Soils Report. All materials, equipment, and labor for this work shall not be paid for directly, but shall be subsidiary to other items of the contract.



TYPICAL SECTION - SINGLE LANE RAMP



TYPICAL SECTION - MINOR SIDE STREET

- Varies, See Plan Sheets
- Varies, See Plan Sheets For Locations Of Auxiliary Lane And Tapers.

DETAIL A  
KANSAS DEPARTMENT OF TRANSPORTATION  
TYPICAL SECTIONS  
KELLOGG AVE., SINGLE LANE RAMP  
MINOR SIDE STREETS