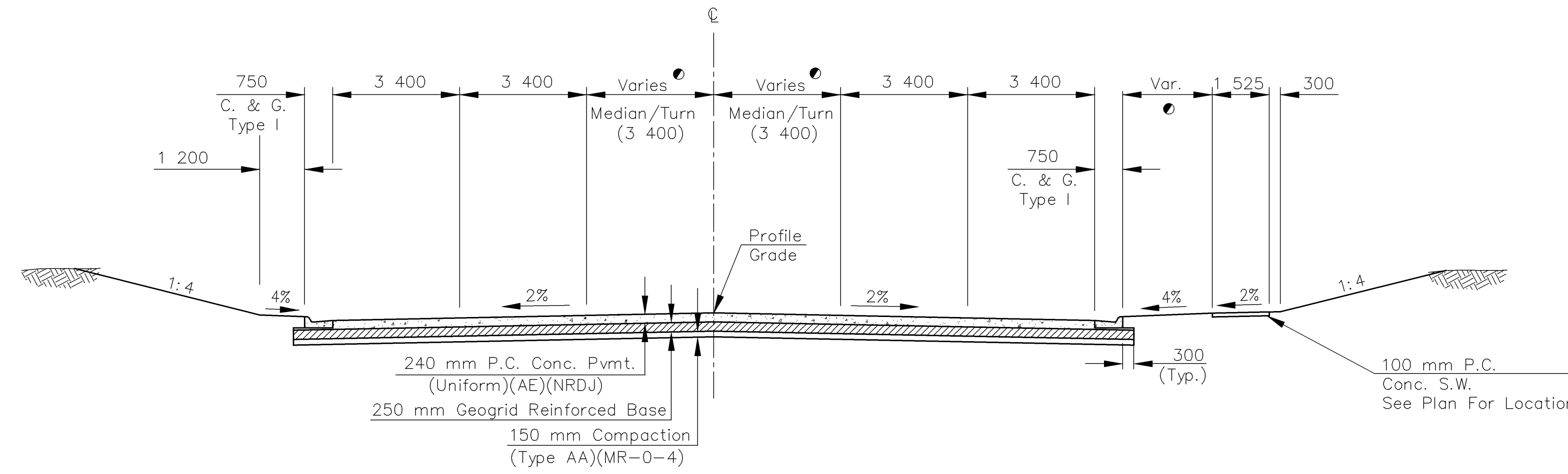


STATE	PROJECT NO.	YEAR	SHEET NO.	TOTAL SHEETS
KANSAS	54-87 K-8258-01	2007	6	556

DATE	
BY	
REFERENCE NOTED	
REFERENCE CHECKED	

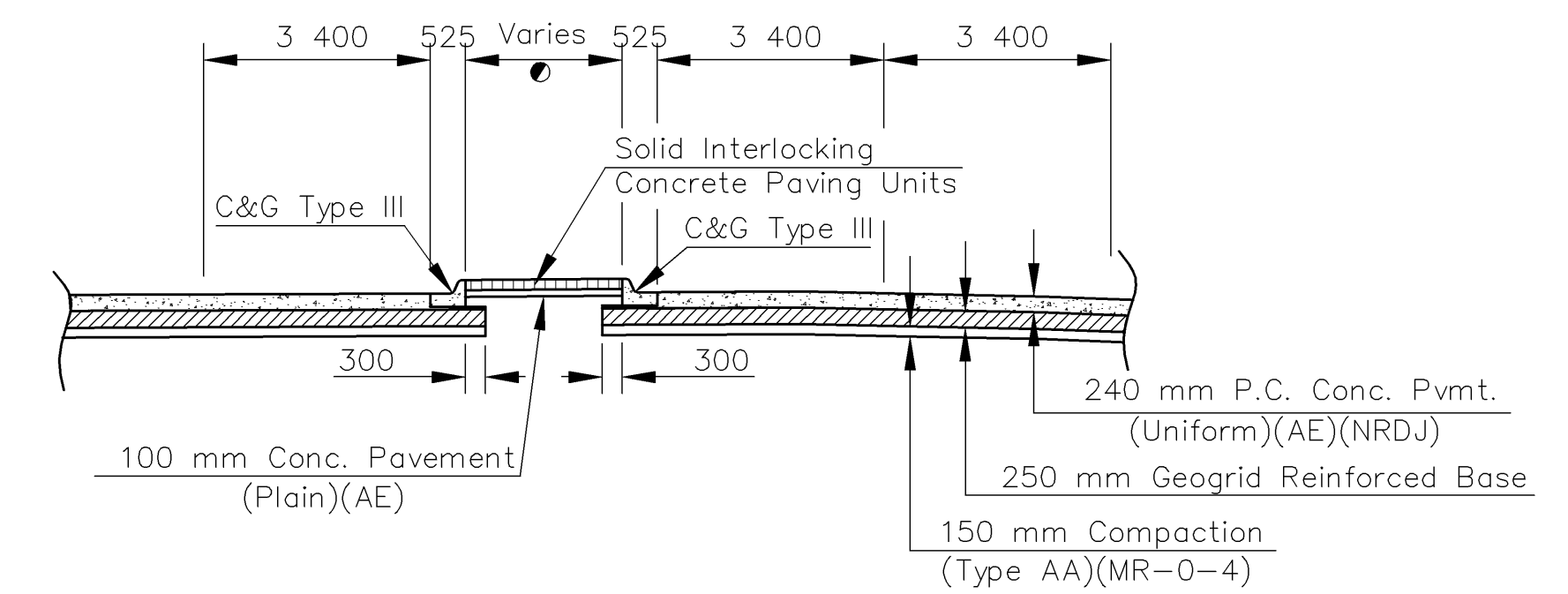
TYPICAL SECTION - MILL & OVERLAY

ROCK - Sta. 49+687.400 To Sta. 49+831.512



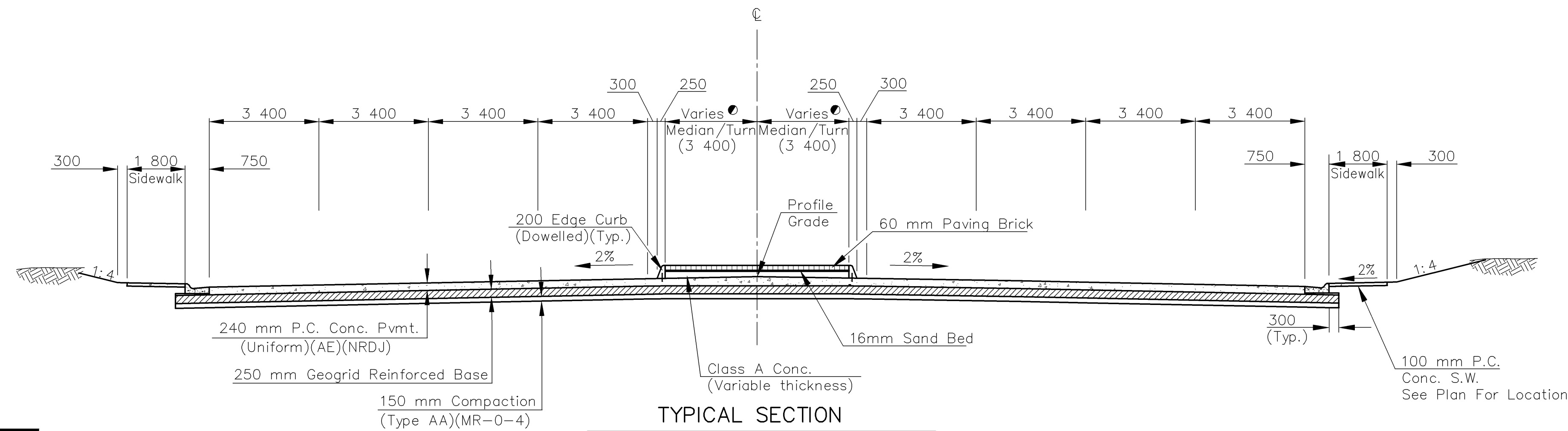
TYPICAL SECTION

ARMOUR - Sta. 50+037.128 To Sta. 50+184.571



TYPICAL SECTION

ARMOUR - Sta. 49+855 to Sta. 49+956
- Sta. 50+038 to Sta. 50+124



TYPICAL SECTION

ROCK - Sta. 49+695.000 To Sta. 50+150.000

● Varies, See Plan Sheets

TYPICAL SECTIONS
ROCK RD. & ARMOUR RD.

CFS Cook, Flatt & Strobel
ENGINEERS, P.A.

SCALE
Plotted:
Drawn by:
File: