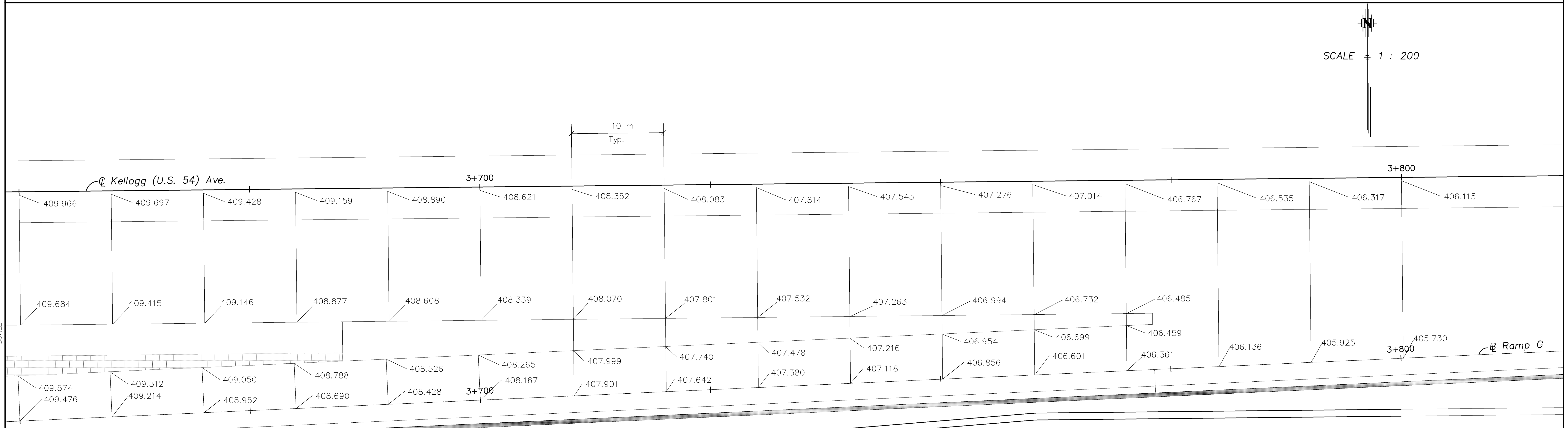
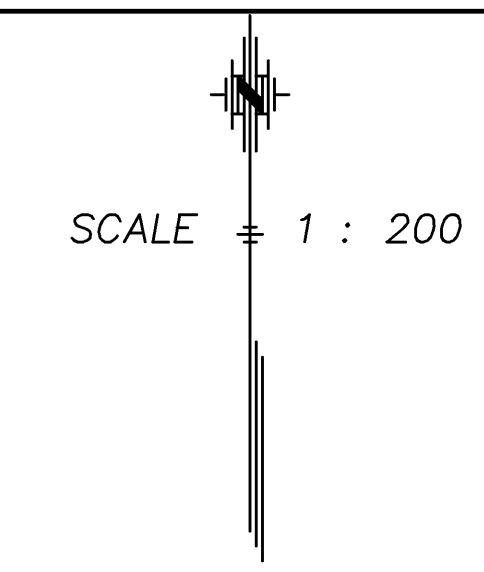
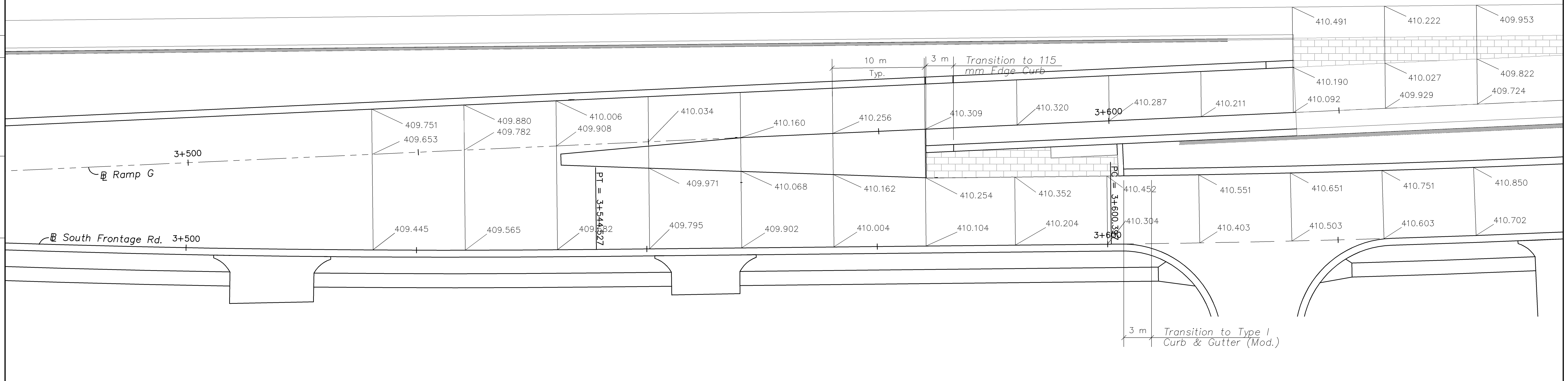


STATE	PROJECT NO.	YEAR	SHEET NO.	TOTAL SHEETS
KANSAS	54-87 K-8258-01	2007	25	556

DATE	BY	REFERENCE NOTED	REFERENCE CHECKED



Drawn by: **CFS** Cook, Flatt & Strobel ENGINEERS, P.A.

File: **CFS**

Plotted: **CFS**

SCALE

KANSAS DEPARTMENT OF TRANSPORTATION

PLAN  
NORTH FRONTAGE ROAD  
RAMP G DETAILS