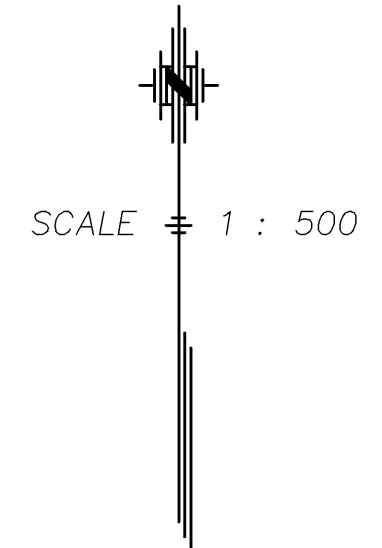
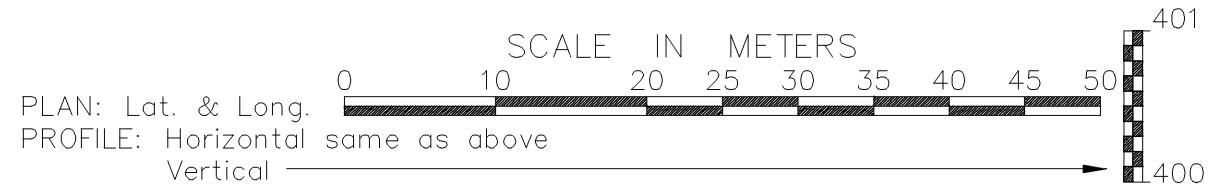
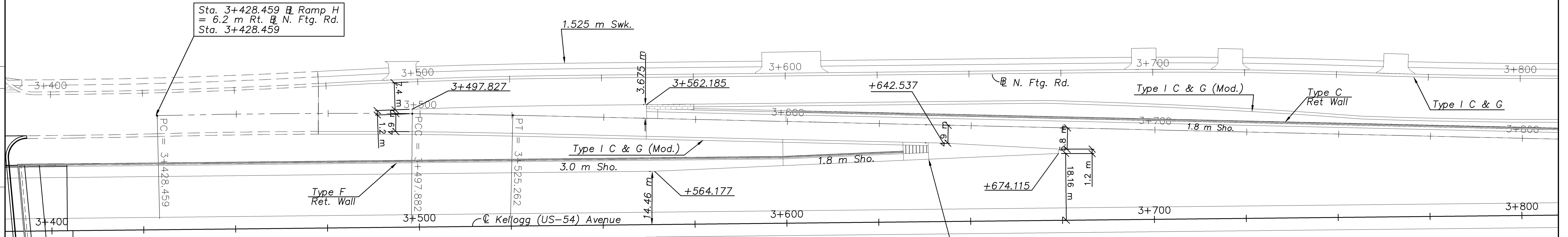


STATE	PROJECT NO.	YEAR	SHEET NO.	TOTAL SHEETS
KANSAS	54-87 K-8258-01	2007	26	556

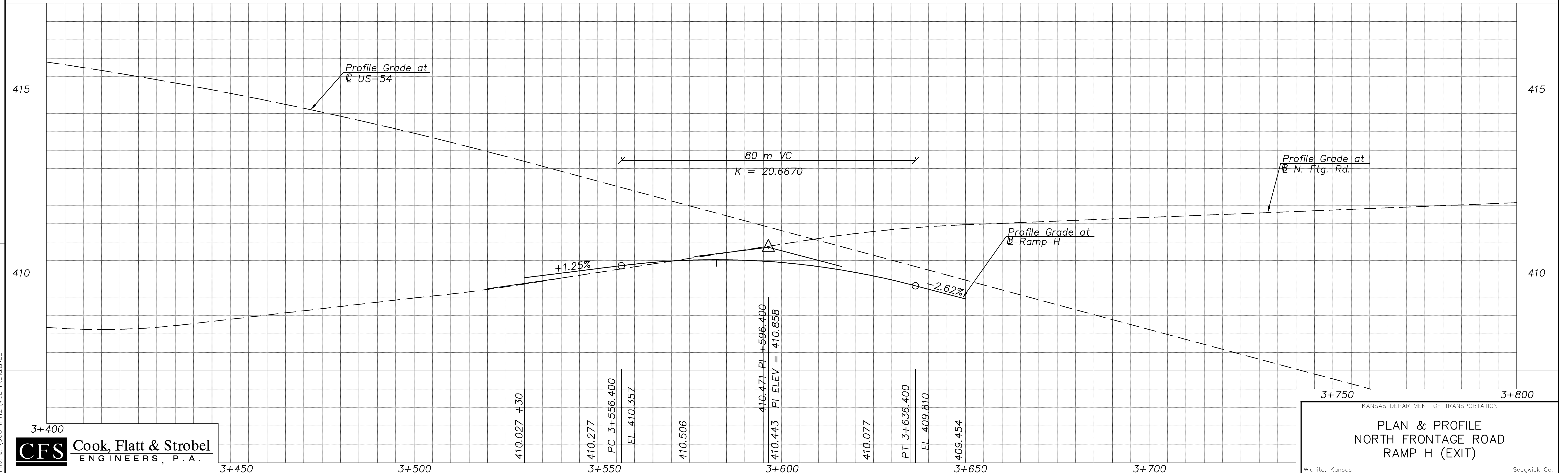
DATE	
BY	
REFERENCE NOTED	
REFERENCE CHECKED	



Sta. 3+428.459 @ Ramp H
= 6.2 m Rt. @ N. Ftg. Rd.
Sta. 3+428.459

Sta. 3+638.780
Const. Attenuator

Sta. 3+996.270 @ Ramp H
= 14.46 m Lt. @ Kellogg
Sta. 3+996.090



Drawn by: [Name]
Plotted: [Name]
File: G:\0001PH2\VOL 1\B300ALE

CFS Cook, Flatt & Strobel
ENGINEERS, P.A.

KANSAS DEPARTMENT OF TRANSPORTATION
PLAN & PROFILE
NORTH FRONTAGE ROAD
RAMP H (EXIT)
Wichita, Kansas Sedgwick Co.