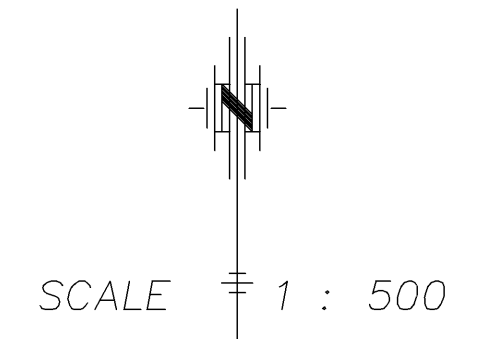
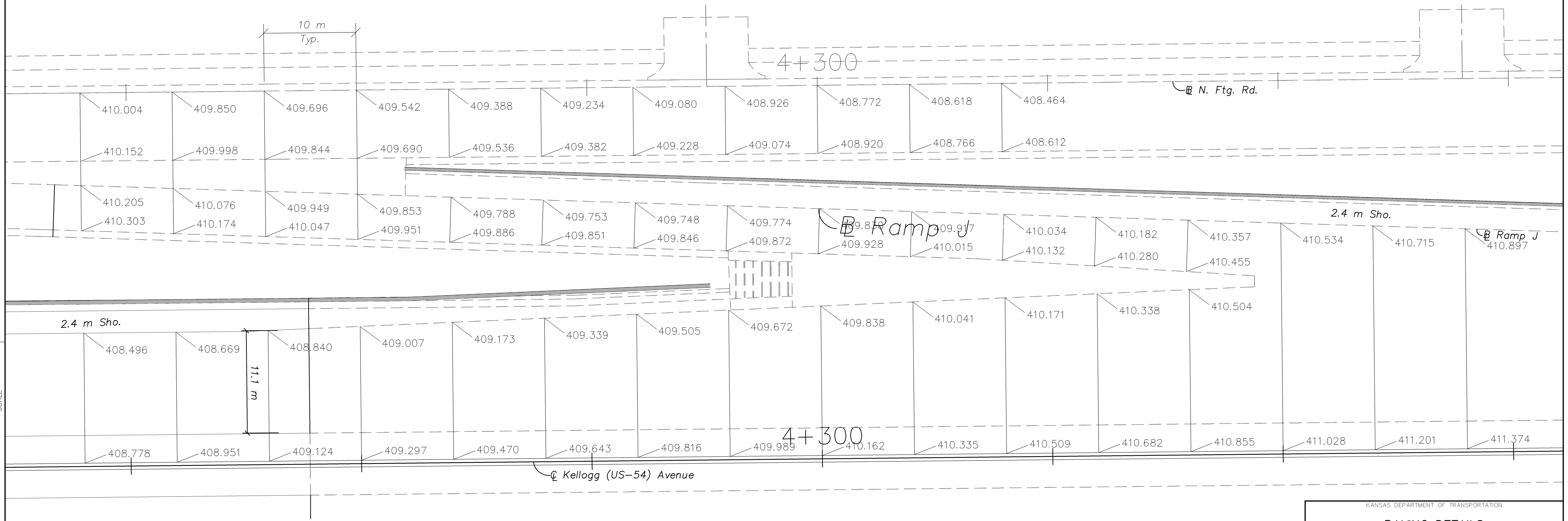
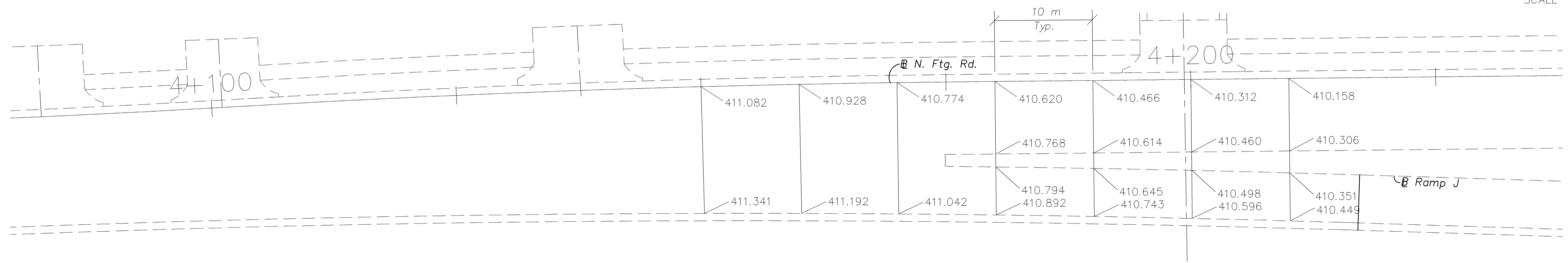


STATE	PROJECT NO.	YEAR	SHEET NO.	TOTAL SHEETS
KANSAS	54-87 K-8258-01	2007	29	556



DATE	
BY	
REFERENCE NOTED	
REFERENCE CHECKED	



Drawn by: _____
 File: _____
 Plotted: _____
 SCALE: _____



KANSAS DEPARTMENT OF TRANSPORTATION
 PAVING DETAILS
 NORTH FRONTAGE ROAD
 RAMP J