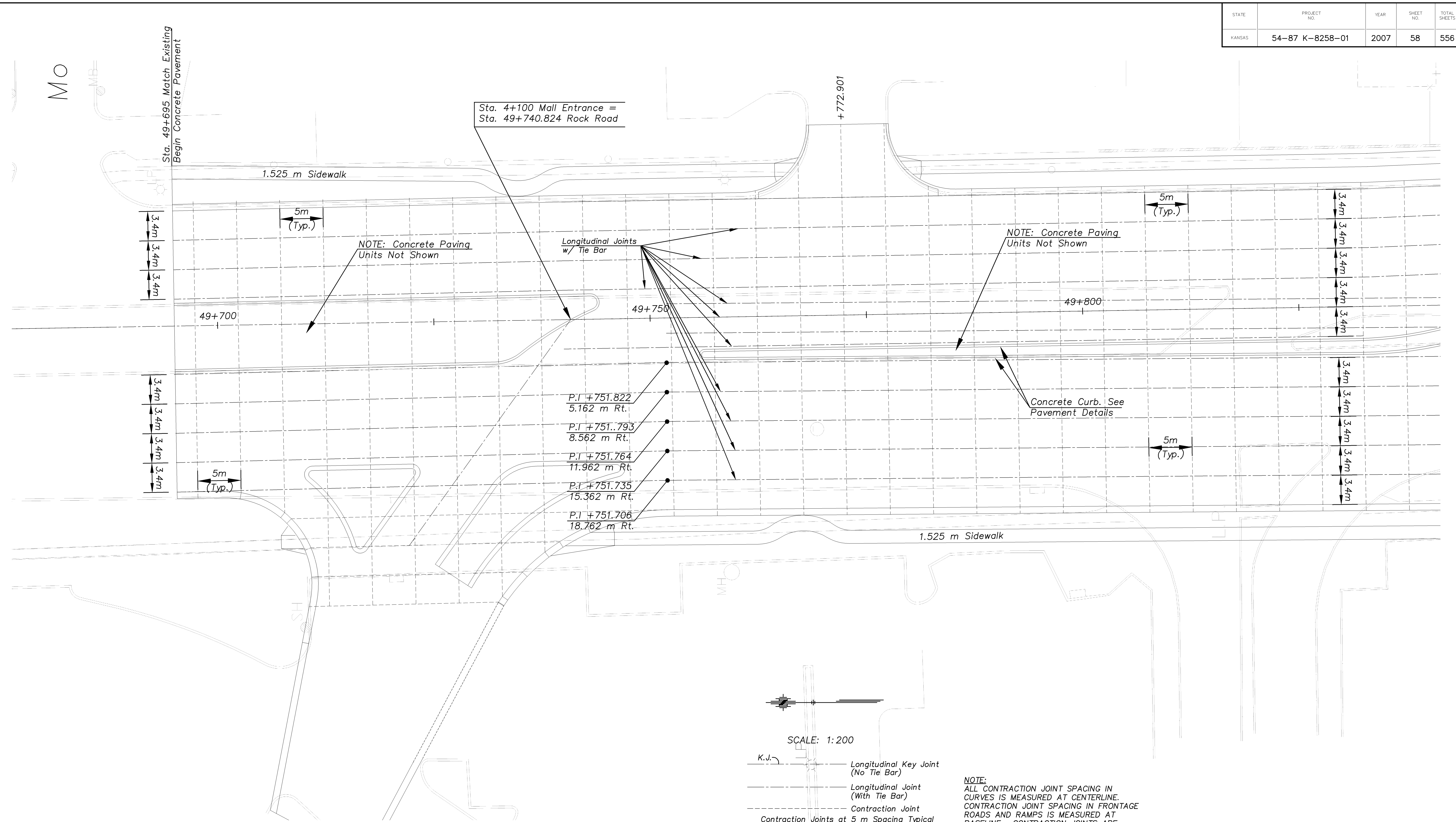


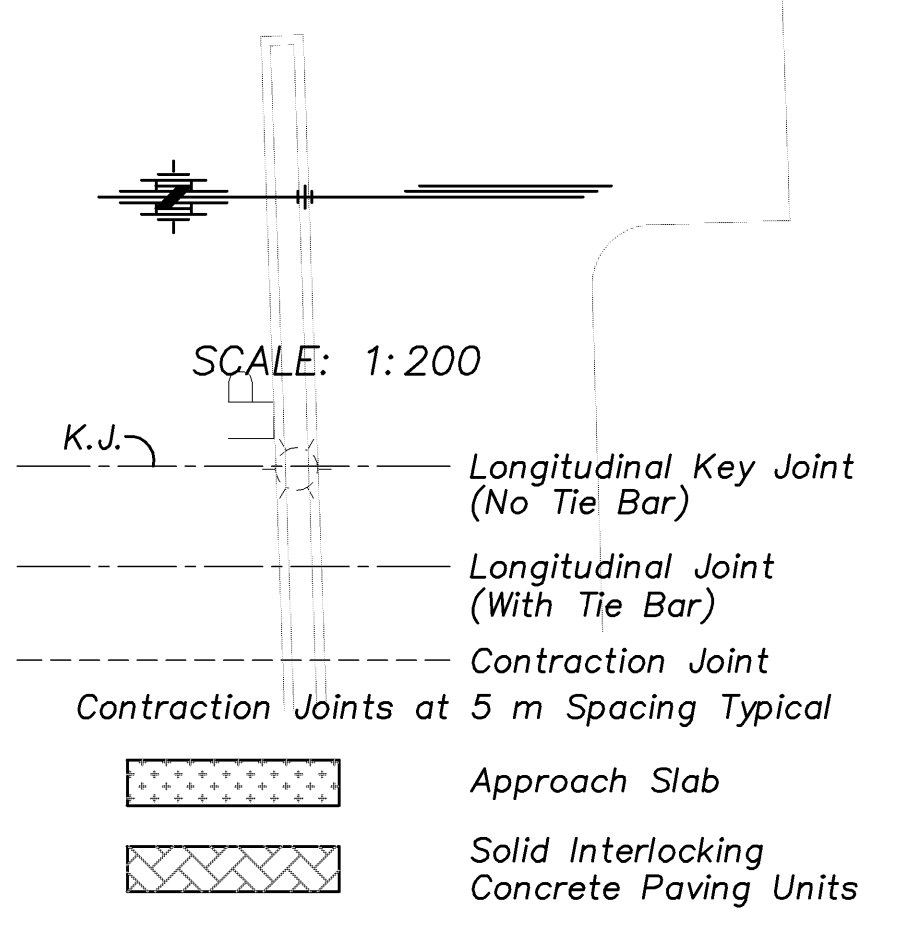
STATE	PROJECT NO.	YEAR	SHEET NO.	TOTAL SHEETS
KANSAS	54-87 K-8258-01	2007	58	556

BY	DATE

REFERENCE NOTED	REFERENCE CHECKED



- P.I +751.822
5.162 m Rt.
- P.I +751.793
8.562 m Rt.
- P.I +751.764
11.962 m Rt.
- P.I +751.735
15.362 m Rt.
- P.I +751.706
18.762 m Rt.



NOTE:
ALL CONTRACTION JOINT SPACING IN CURVES IS MEASURED AT CENTERLINE. CONTRACTION JOINT SPACING IN FRONTAGE ROADS AND RAMPS IS MEASURED AT BASELINE. CONTRACTION JOINTS ARE RADIAL TO CURVE UNLESS OTHERWISE NOTED.

Drawn by:
 File: D109.plt
 Plotted:
 SCALE:
 DATE:
 BY:
 REFERENCE NOTED:
 REFERENCE CHECKED: