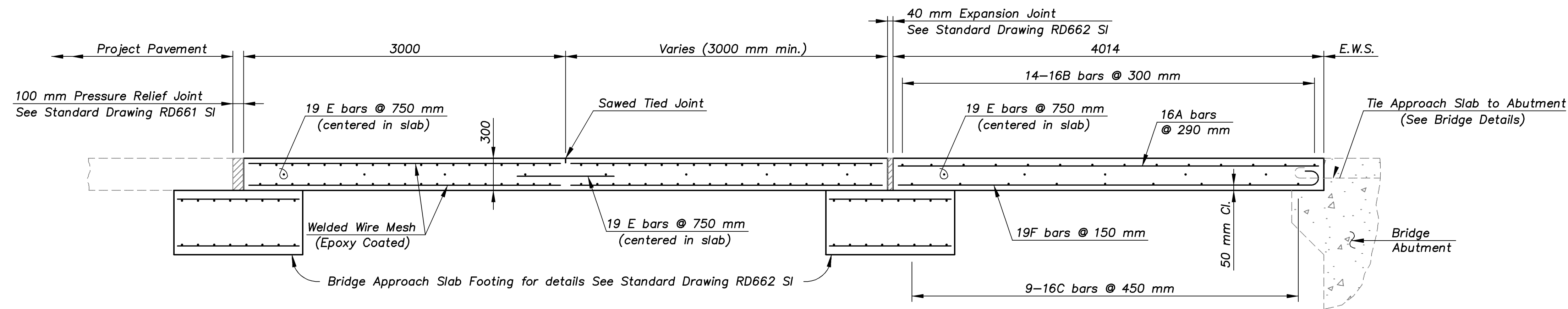
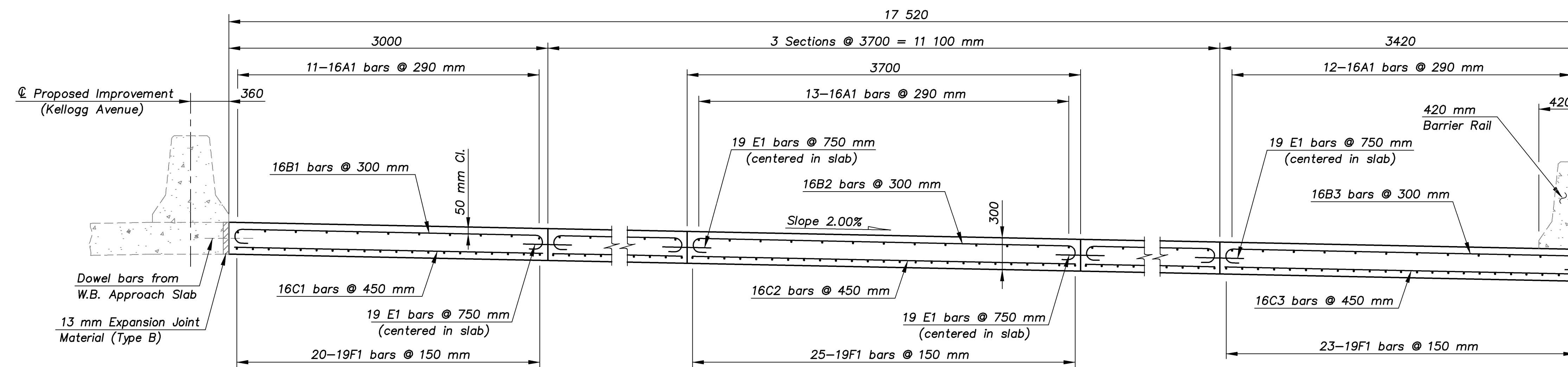


E.F. INDICATES EACH FACE.
N.F. INDICATES NEAR FACE.
F.F. INDICATES FAR FACE.

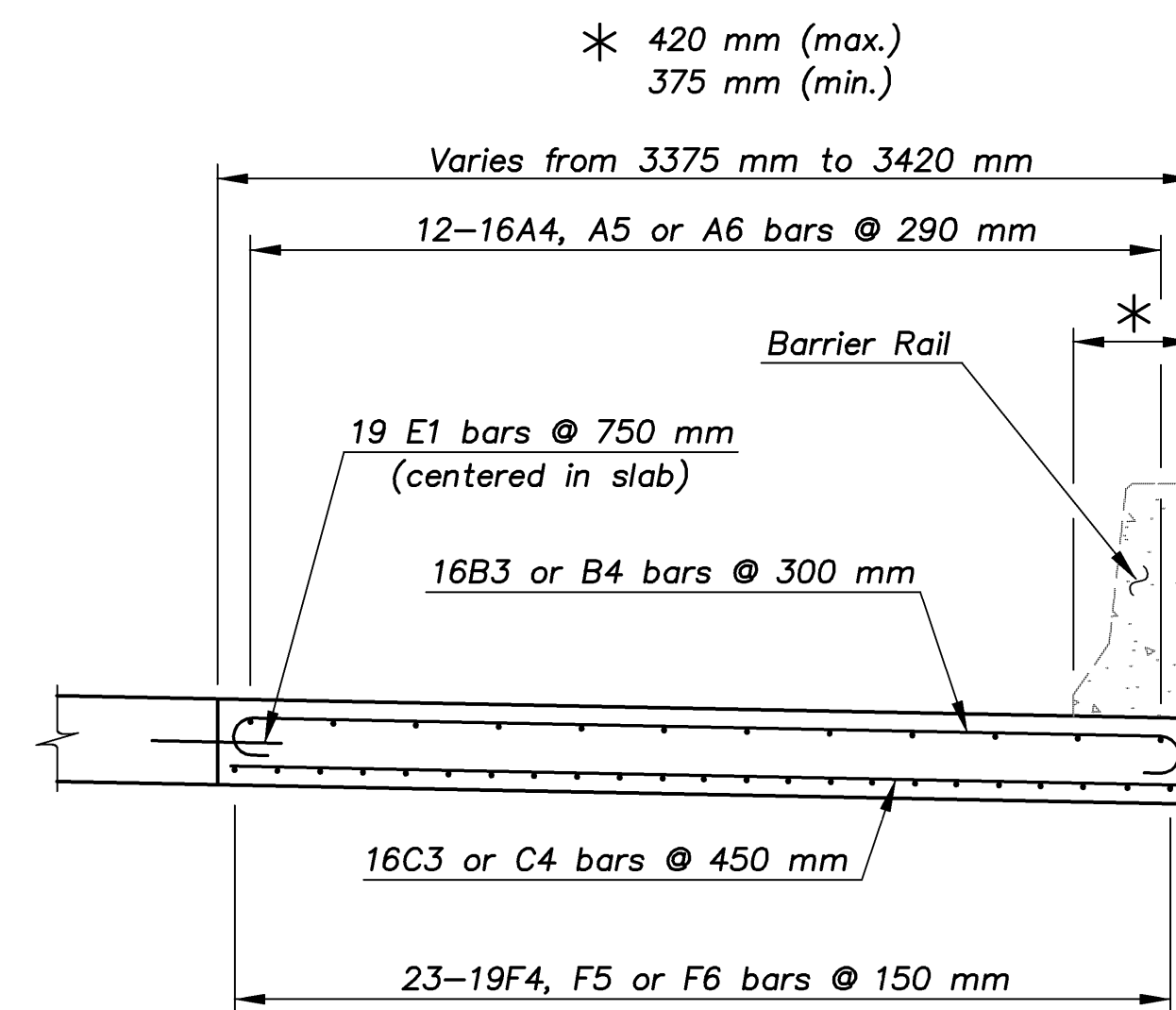
STATE	PROJECT NO.	YEAR	SHEET NO.	TOTAL SHEETS
KANSAS	54-87 K-8258-01	2007	66	556



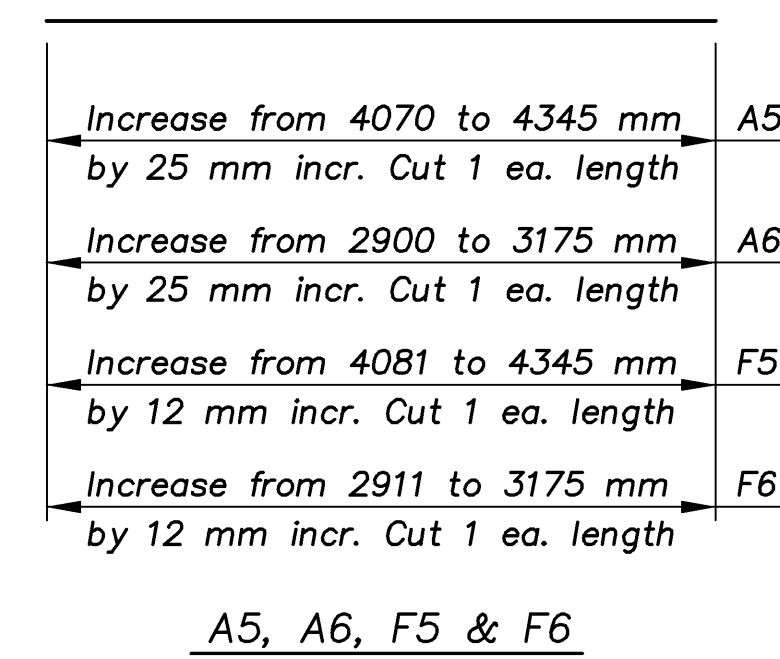
LONGITUDINAL SECTION THRU APPROACH SLAB



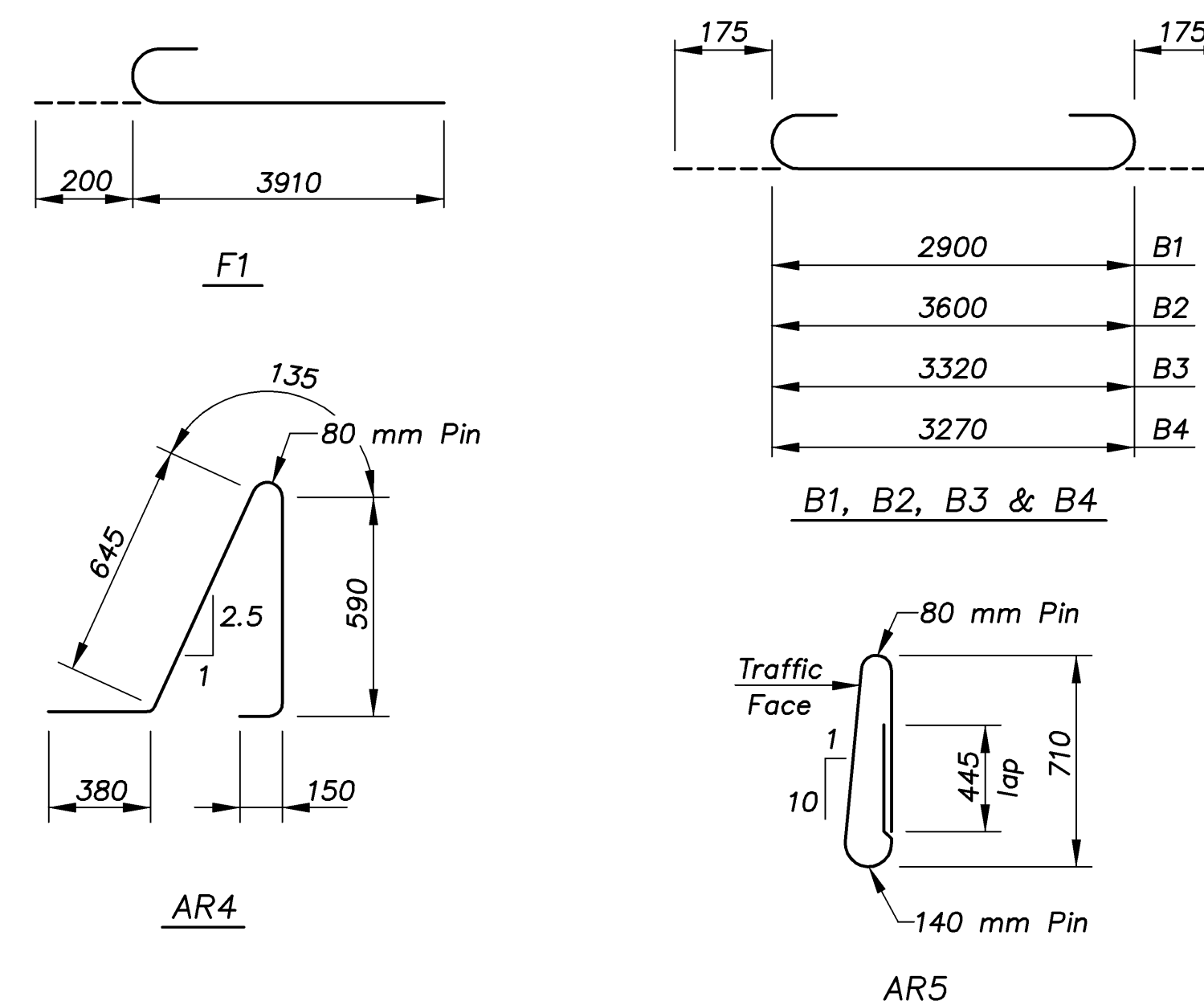
PARTIAL TRANSVERSE SECTION
(Looking Ahead Station)



OUTSIDE SHOULDER SECTION
(Looking Ahead Station)



BENDING DIAGRAMS
NOTE: All dimensions are out to out of bars.




BILL OF REINFORCING STEEL							
MARK	SIZE	STRAIGHT BARS		BENT BARS			
		NO.	LENGTH	MARK	SIZE	NO.	LENGTH
"FOR INFORMATION ONLY"							
E1	19	82	900	F1	19	118	4110
F4	19	23	2900				
F5	19	23	Varies	B1	16	14	3250
				B2	16	42	3950
A1	16	62	3910	B3	16	29	3670
A4	16	12	2900	B4	16	10	3620
A5	16	12	Varies				
C1	16	9	2900				
C2	16	27	3600				
C3	16	19	3320				
C4	16	7	3270				
"FOR INFORMATION ONLY"							
AR2	19	1	5900	AR4	16	34	1900
AR3	19	1	3910	AR5	16	34	1980
AR7	13	6	5900				
AR8	13	6	3910				
"FOR INFORMATION ONLY"							
E1	19	81	900	F1	19	118	4110
F4	19	23	2900				
F6	19	23	Varies	B1	16	14	3250
				B2	16	42	3950
A1	16	62	3910	B3	16	25	3670
A4	16	12	2900	B4	16	10	3620
A6	16	12	Varies				
C1	16	9	2900				
C2	16	27	3600				
C3	16	17	3320				
C4	16	7	3270				

KANSAS DEPARTMENT OF TRANSPORTATION
BR. NO. 54-87-30.82(701) E.B. STA. 3+378.725

**SPECIAL CONCRETE
APPROACH PAVEMENT**

E.B. KELLOGG AVENUE OVER ARMOUR

Proj. No. 54-87 K-8258-01 SEDGWICK COUNTY


Cook, Flatt & Strobel
 ENGINEERS, P. A.
 DESIGNED R.S.C. SCALE
 DETAILED T.R.G. DATE
 QUANTITIES T.R.G. SHEET 2 OF 3

1:100 ARMOUR/APPROACH