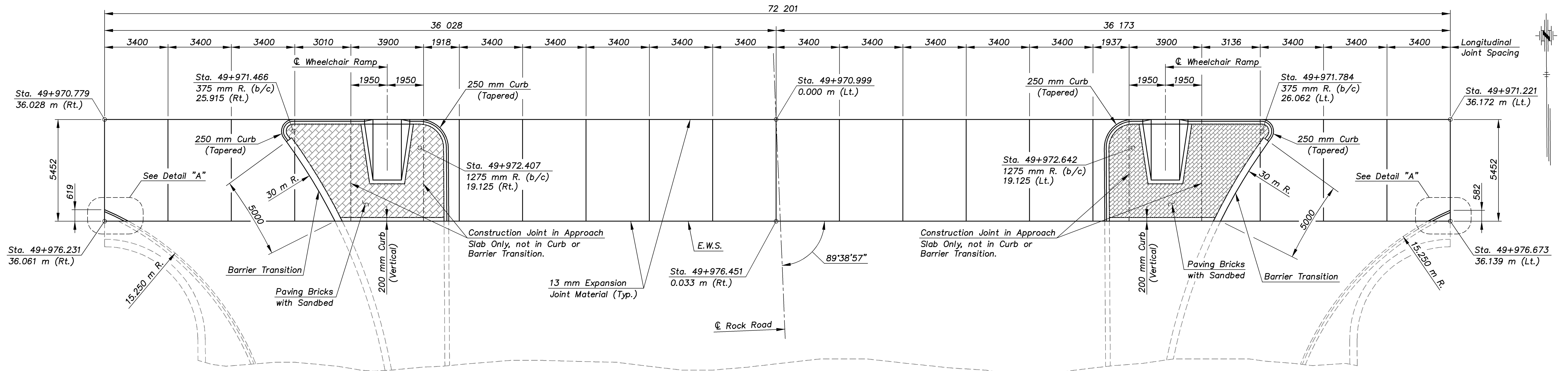
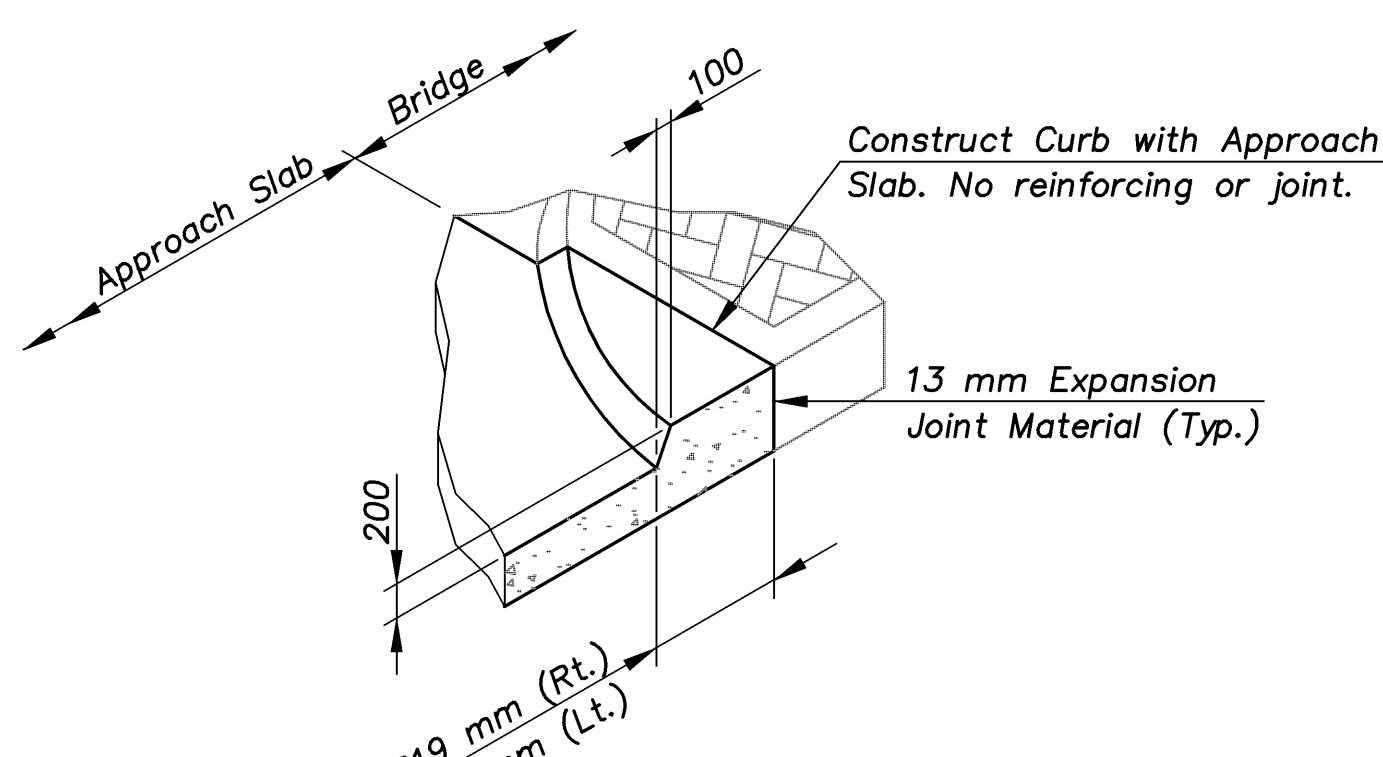


E.F. INDICATES EACH FACE.
 N.F. INDICATES NEAR FACE.
 F.F. INDICATES FAR FACE.

STATE	PROJECT NO.	YEAR	SHEET NO.	TOTAL SHEETS
KANSAS	54-87 K-8258-01	2007	68	556

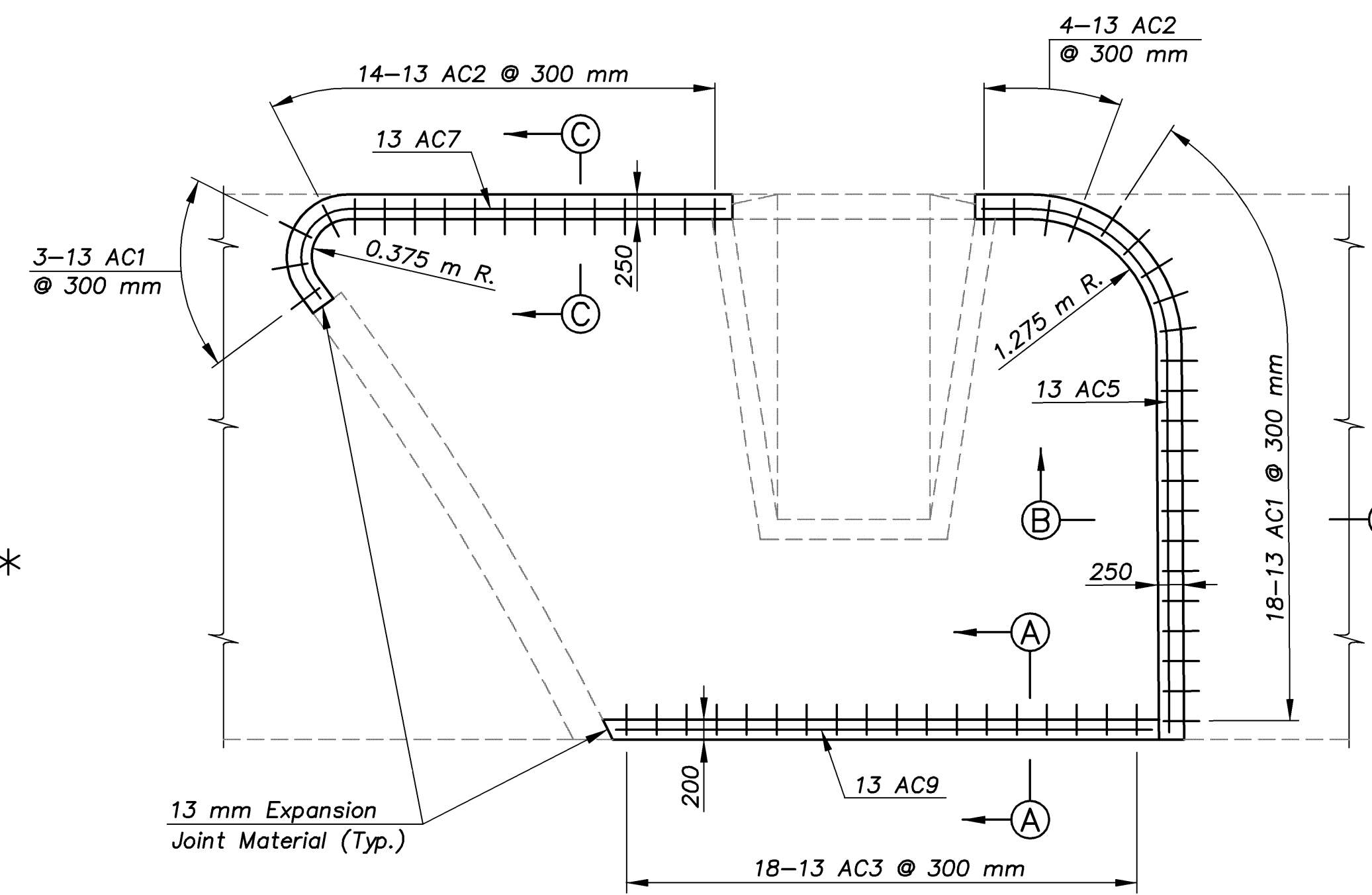


APPROACH SLAB LAYOUT AT ABUTMENT NO. 1



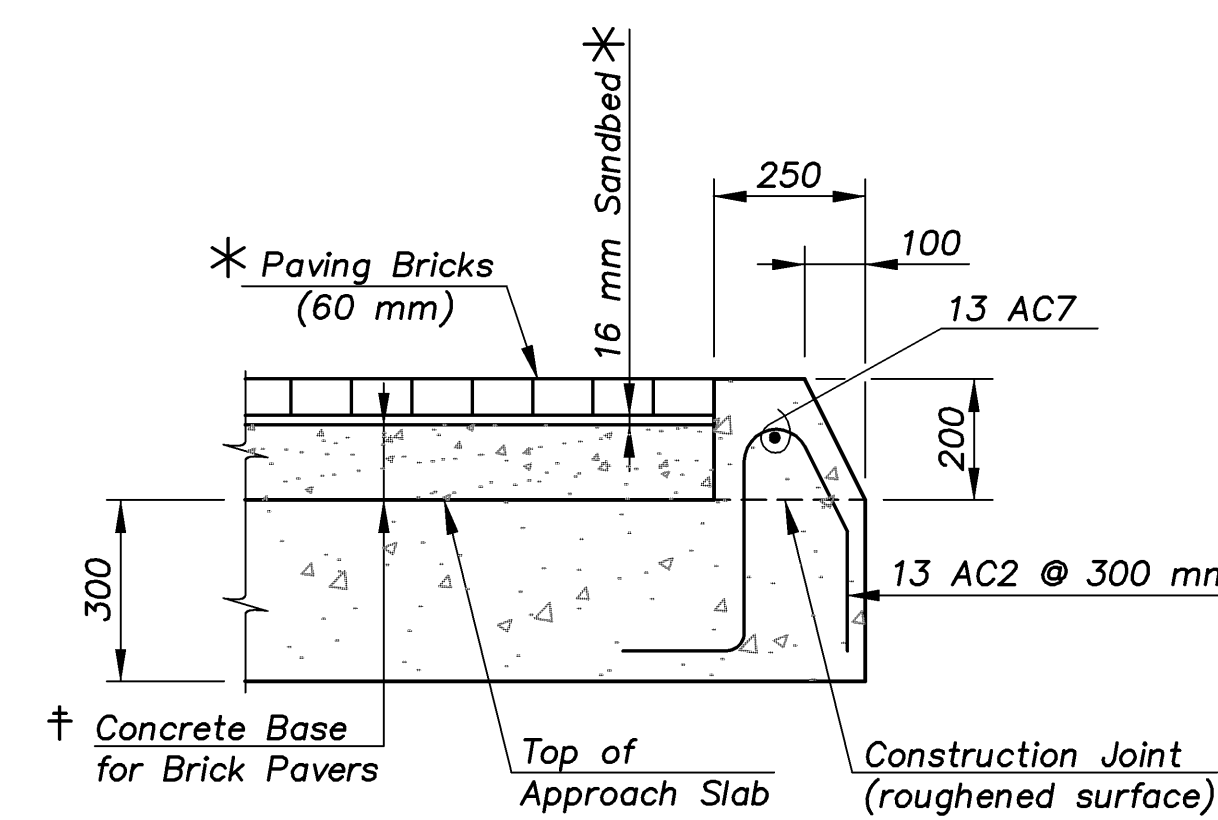
DETAIL "A"

* NOTE: Paving Bricks and 16 mm Sandbed shall be included in the Roadway Quantities for payment.
 † NOTE: Concrete Base for Brick Pavers is included in the Concrete (Grade 31) (AE) Quantities for payment.

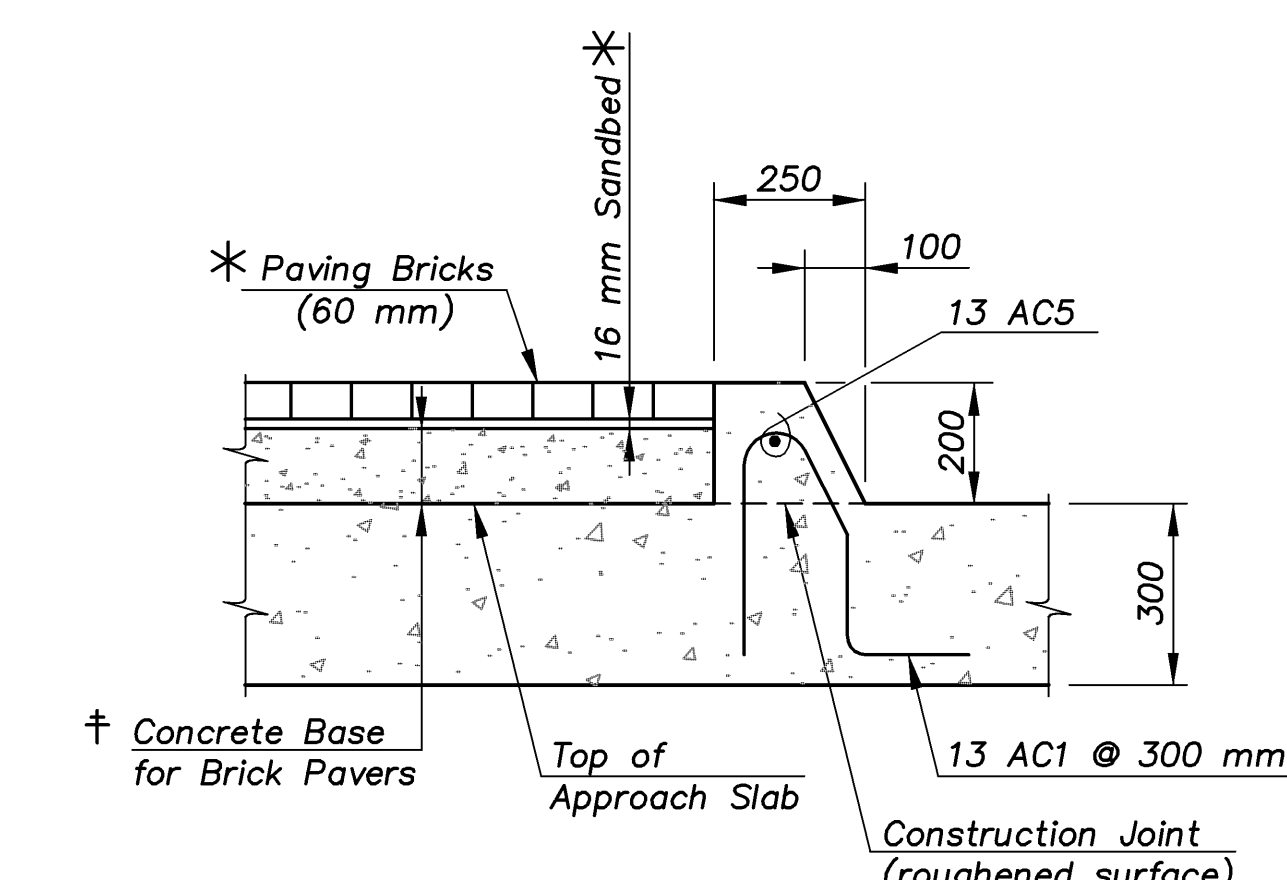


TYPICAL CURB REINFORCEMENT LAYOUT

(Right Side shown, Left Side similar)



SECTION C-C



SECTION B-B

ROCK/Approach 1:100

KANSAS DEPARTMENT OF TRANSPORTATION		BR. NO. 54-87-31.12(702)		STA. 3+877.518	
SPECIAL CONCRETE APPROACH PAVEMENT					
ROCK ROAD OVER KELLOGG AVENUE					
Cook, Flatt & Strobel ENGINEERS, P. A.					
DESIGNED	R.S.C.	SCALE			
DETAILED	T.R.G.	DATE			
Proj. No.	54-87 K-8258-01	SEDGWICK COUNTY	QUANTITIES	T.R.G.	SHEET 1 OF 5