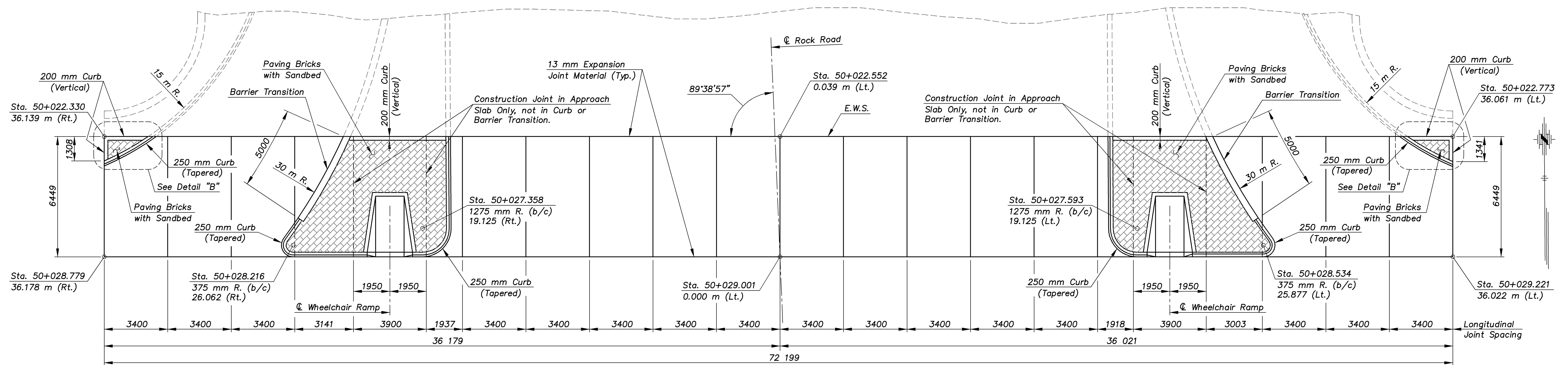
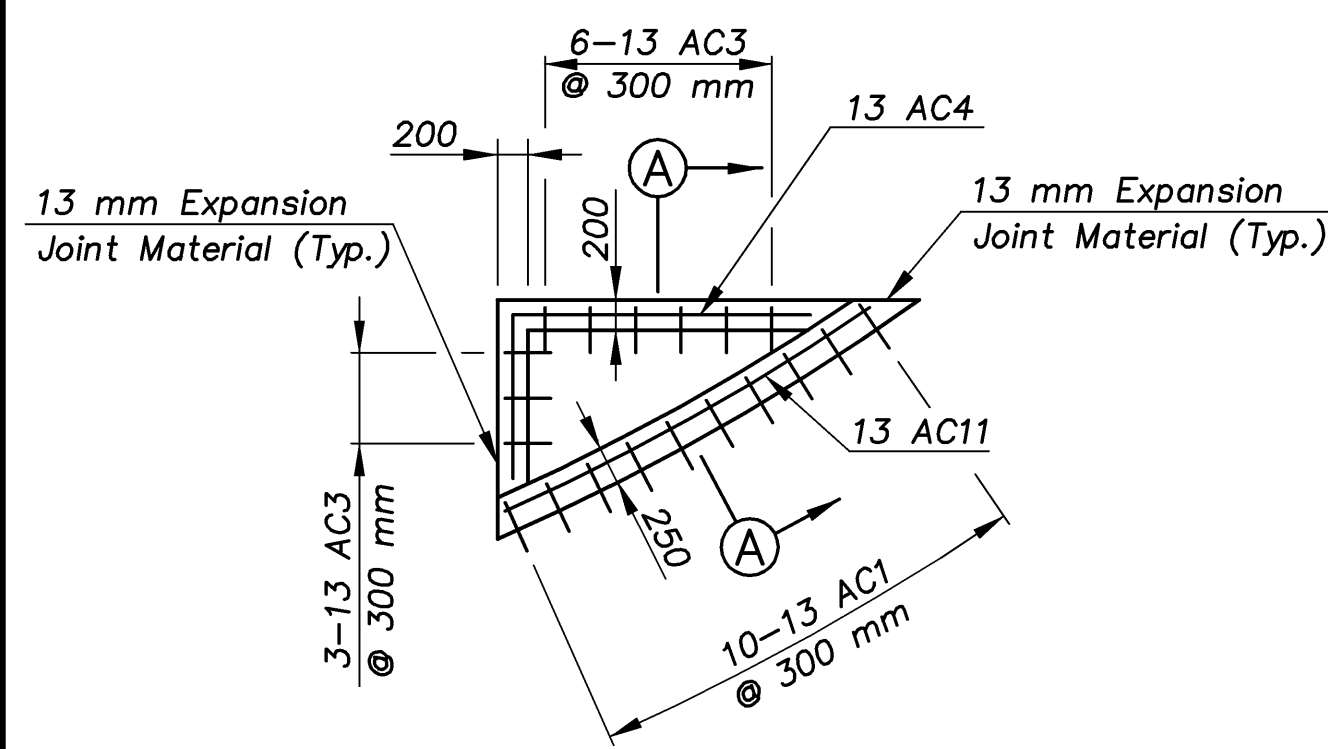


E.F. INDICATES EACH FACE.
 N.F. INDICATES NEAR FACE.
 F.F. INDICATES FAR FACE.

STATE	PROJECT NO.	YEAR	SHEET NO.	TOTAL SHEETS
KANSAS	54-87 K-8258-01	2007	69	556

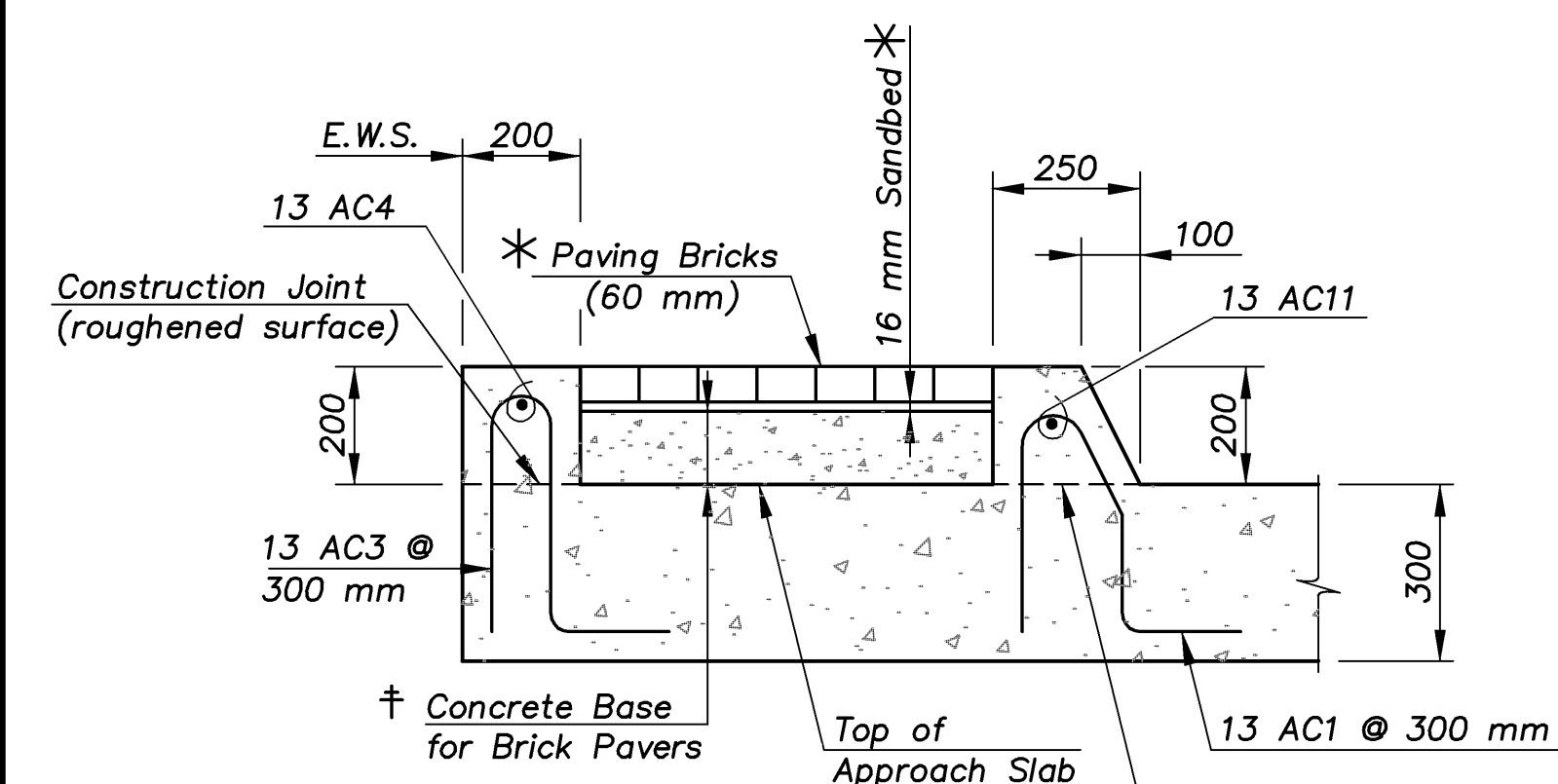


APPROACH SLAB LAYOUT AT ABUTMENT NO. 2

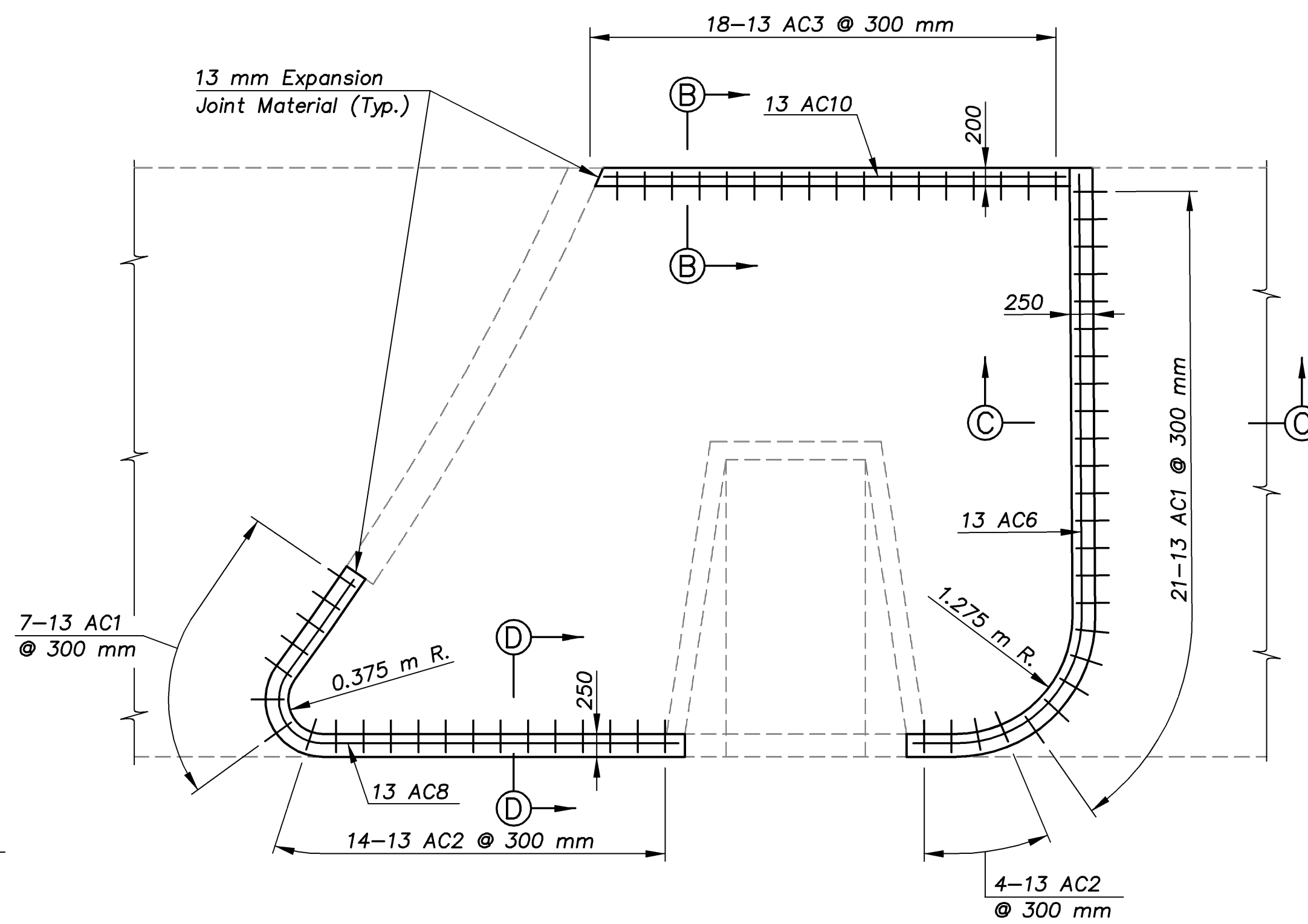


DETAIL "B"
 (Right Side shown, Left Side similar)

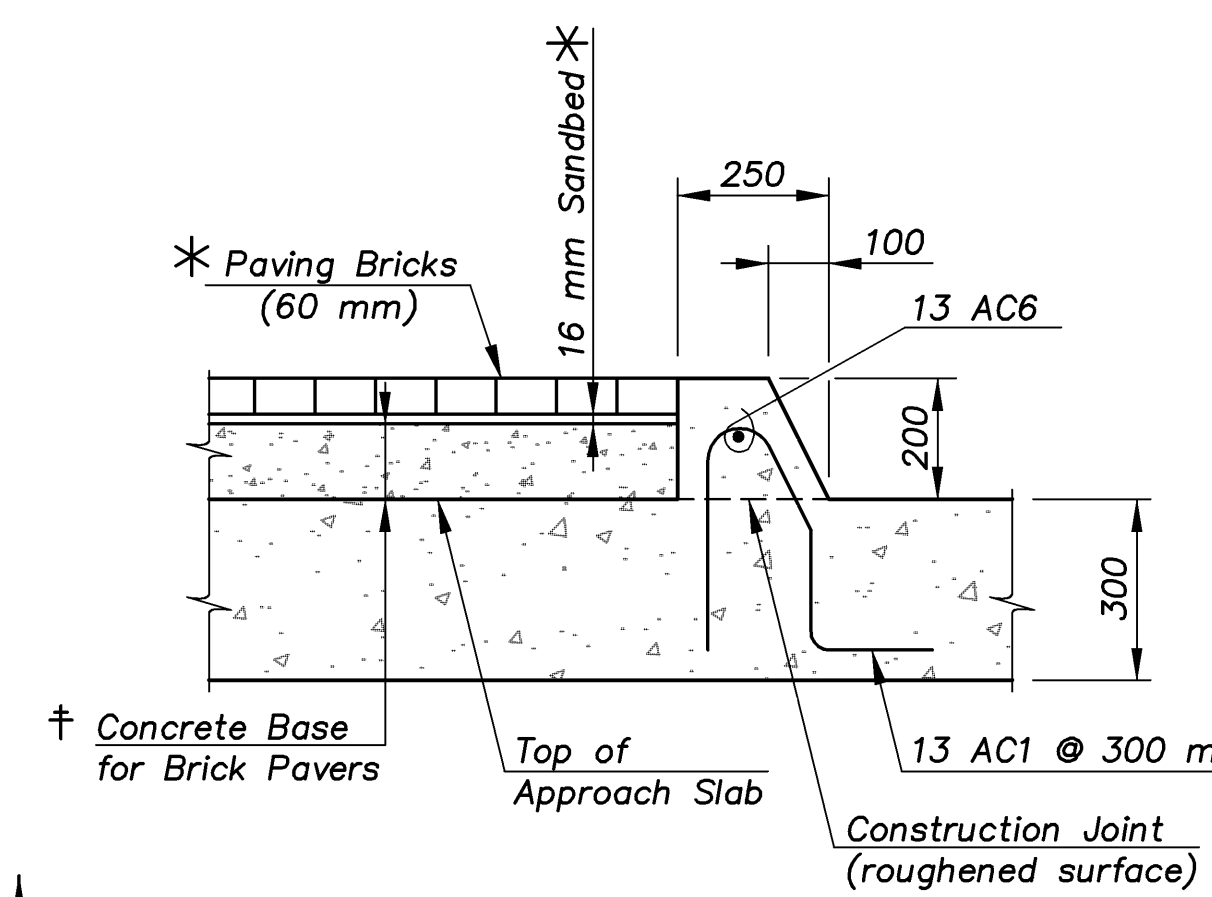
* NOTE: Paving Bricks and 16 mm Sandbed shall be included in the Roadway Quantities for payment.
 † NOTE: Concrete Base for Brick Pavers is included in the Concrete (Grade 31) (AE) Quantities for payment.



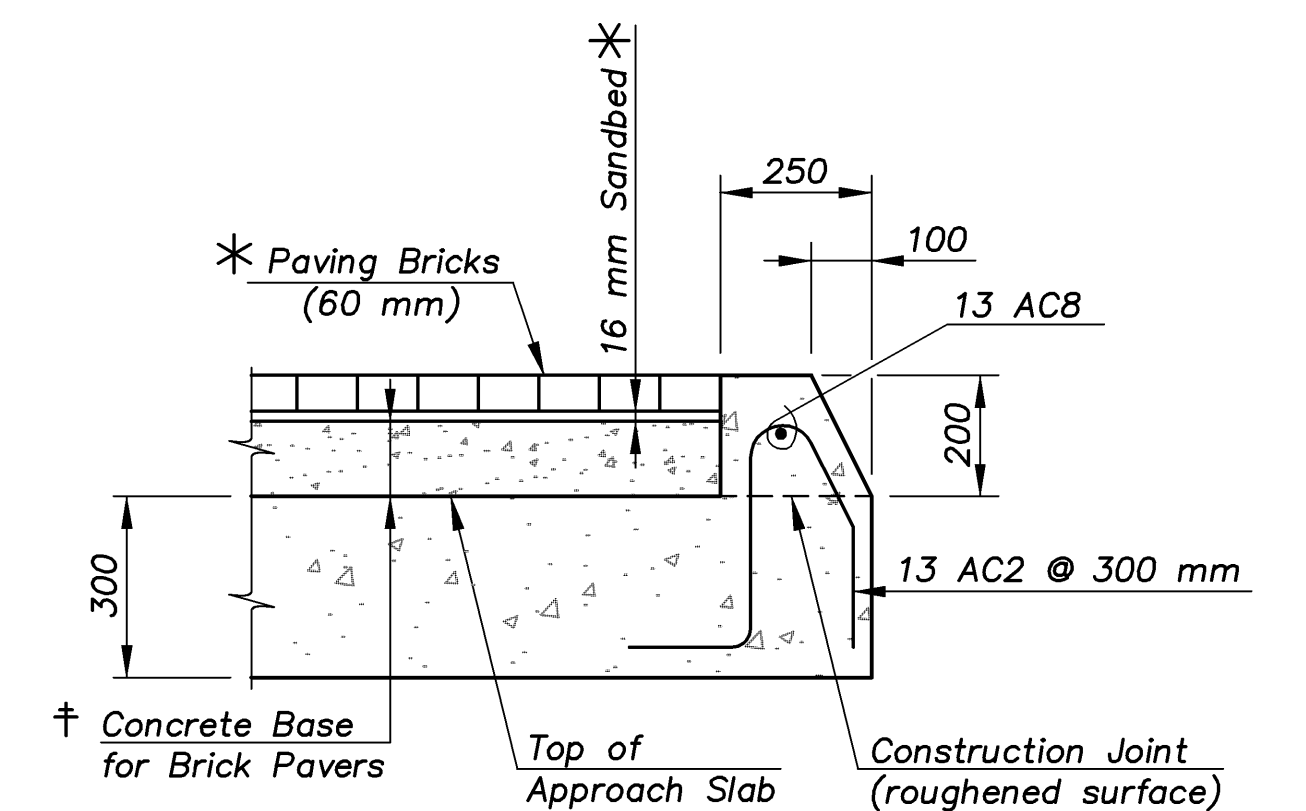
SECTION A-A



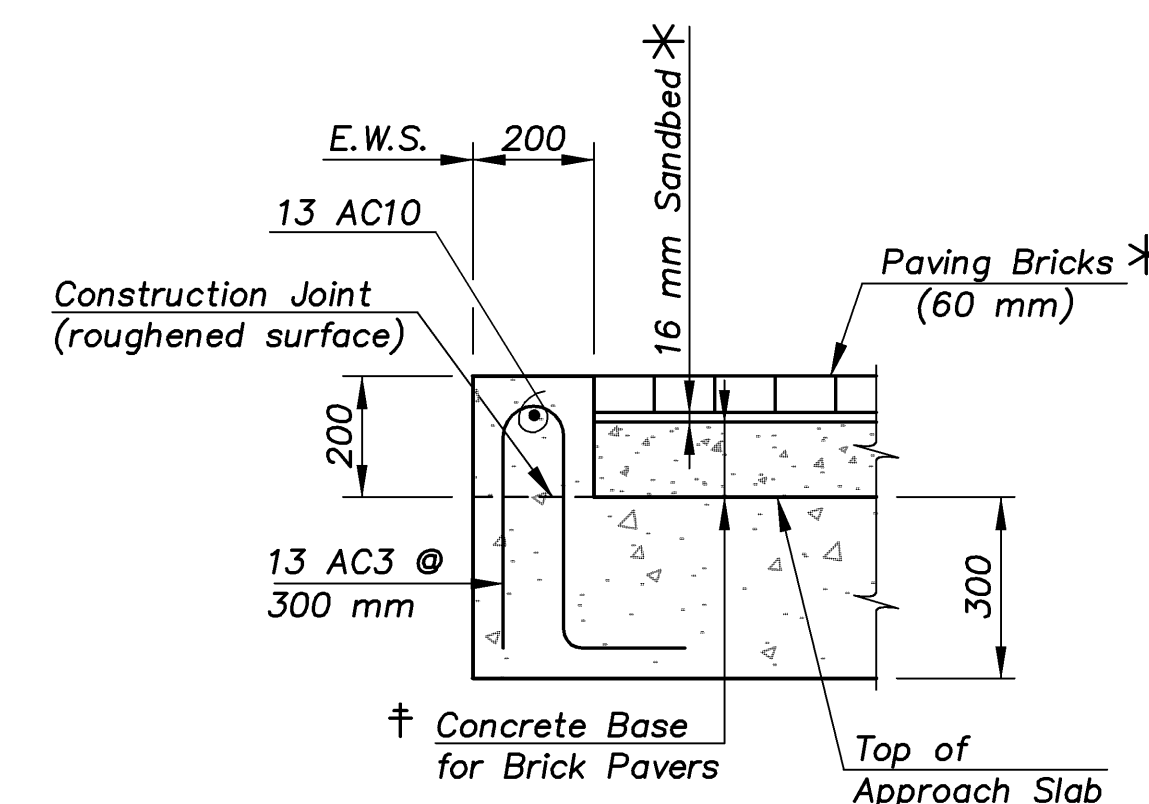
TYPICAL CURB REINFORCEMENT LAYOUT
 (Right Side shown, Left Side similar)



SECTION C-C




SECTION D-D



SECTION B-B

1:100
 ROCK/APPROACH

KANSAS DEPARTMENT OF TRANSPORTATION		 Cook, Flatt & Strobel ENGINEERS, P. A.
BR. NO. 54-87-31.12(702)	STA. 3+877.518	
SPECIAL CONCRETE APPROACH PAVEMENT ROCK ROAD OVER KELLOGG AVENUE		
DESIGNED R.S.C.	SCALE	SHEET 2 OF 5
DETAILED T.R.G.	DATE	
Proj. No. 54-87 K-8258-01 SEDGWICK COUNTY		