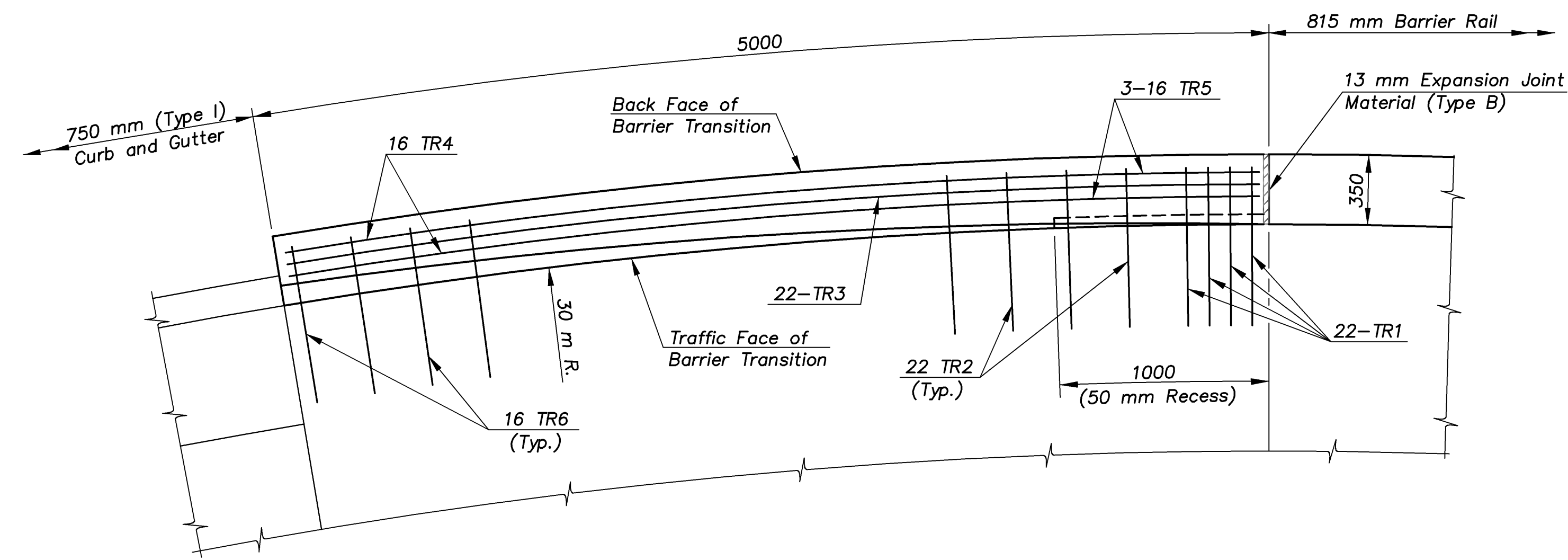
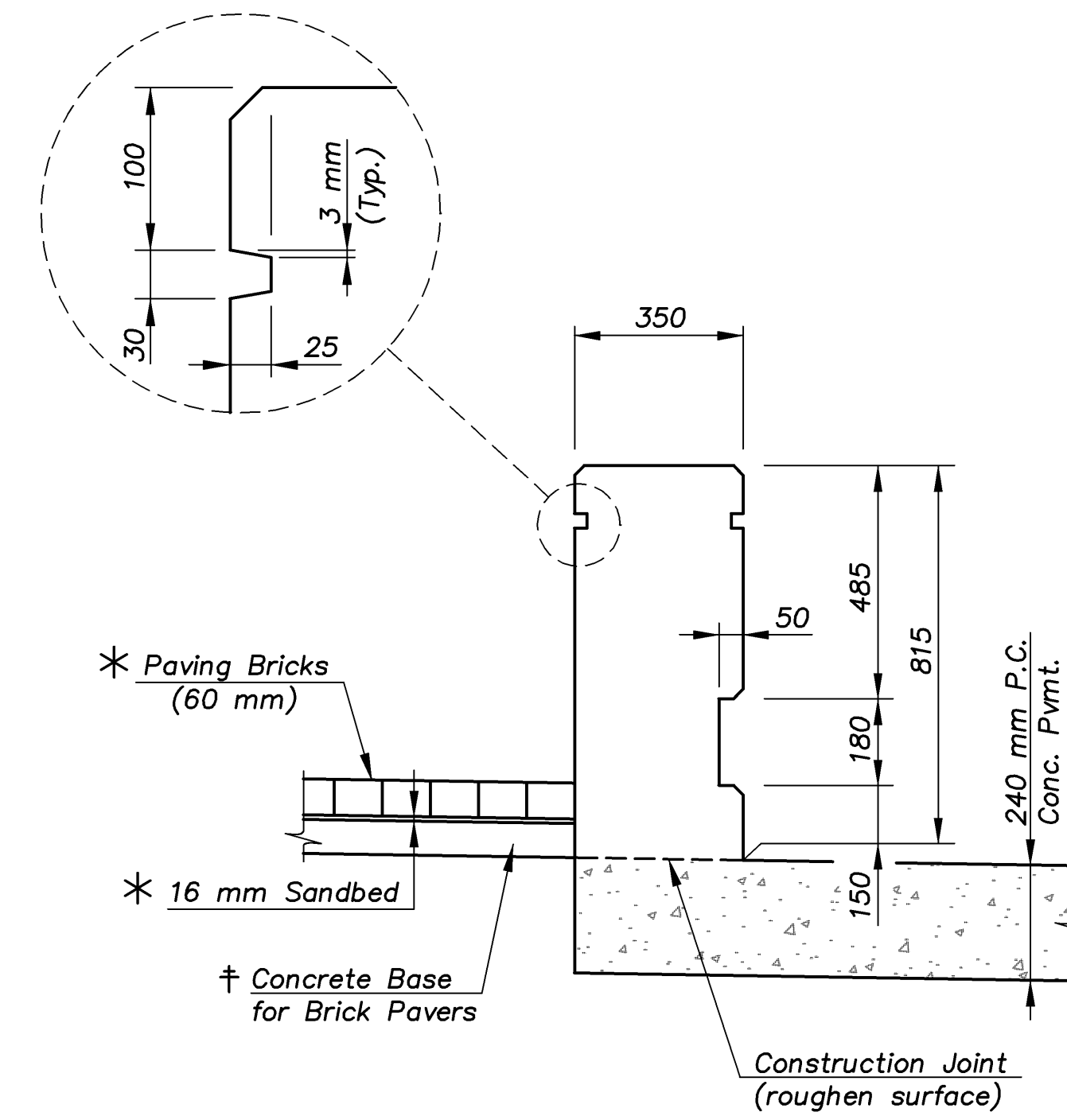


E.F. INDICATES EACH FACE.
 N.F. INDICATES NEAR FACE.
 F.F. INDICATES FAR FACE.

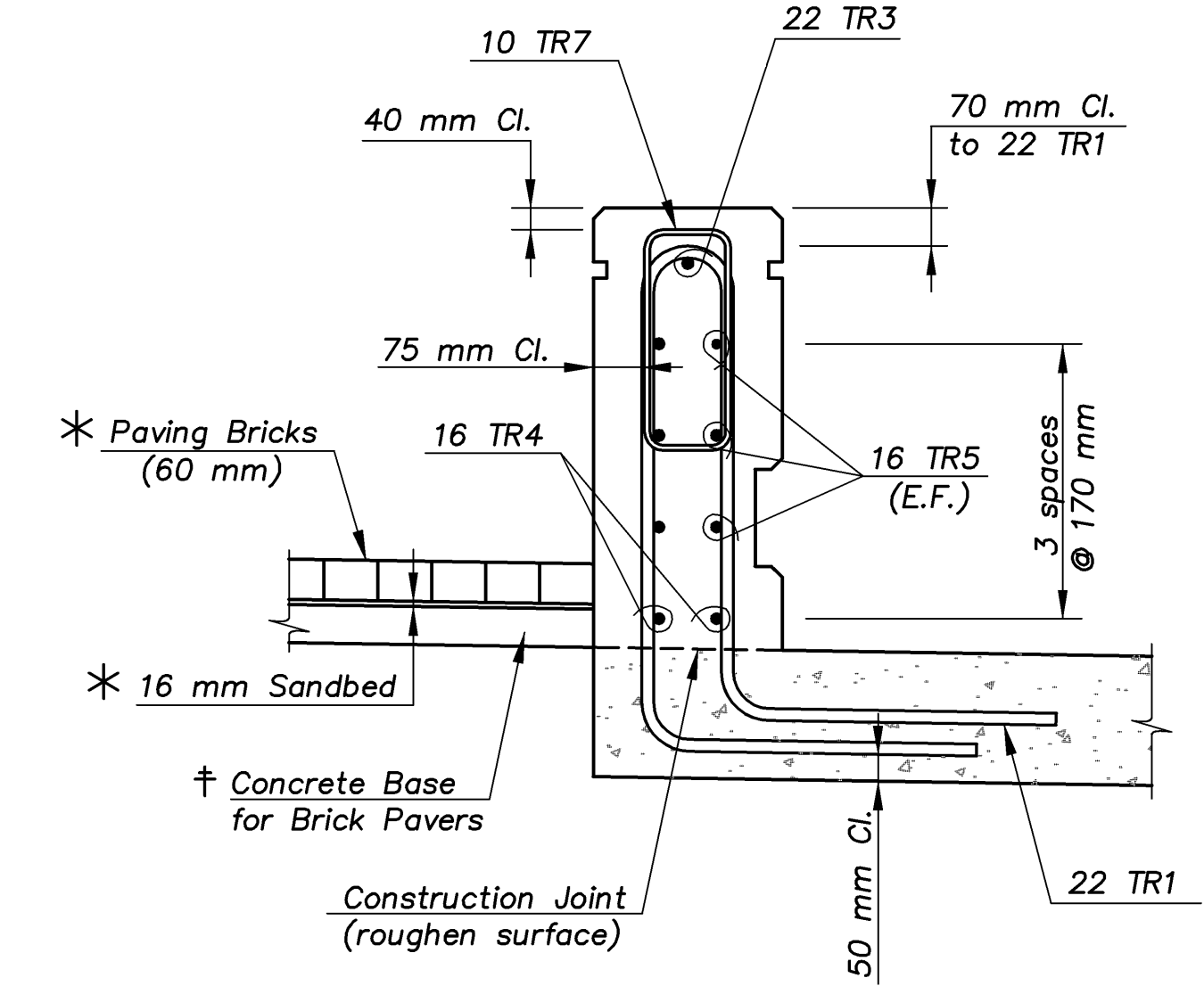
STATE	PROJECT NO.	YEAR	SHEET NO.	TOTAL SHEETS
KANSAS	54-87 K-8258-01	2007	74	556



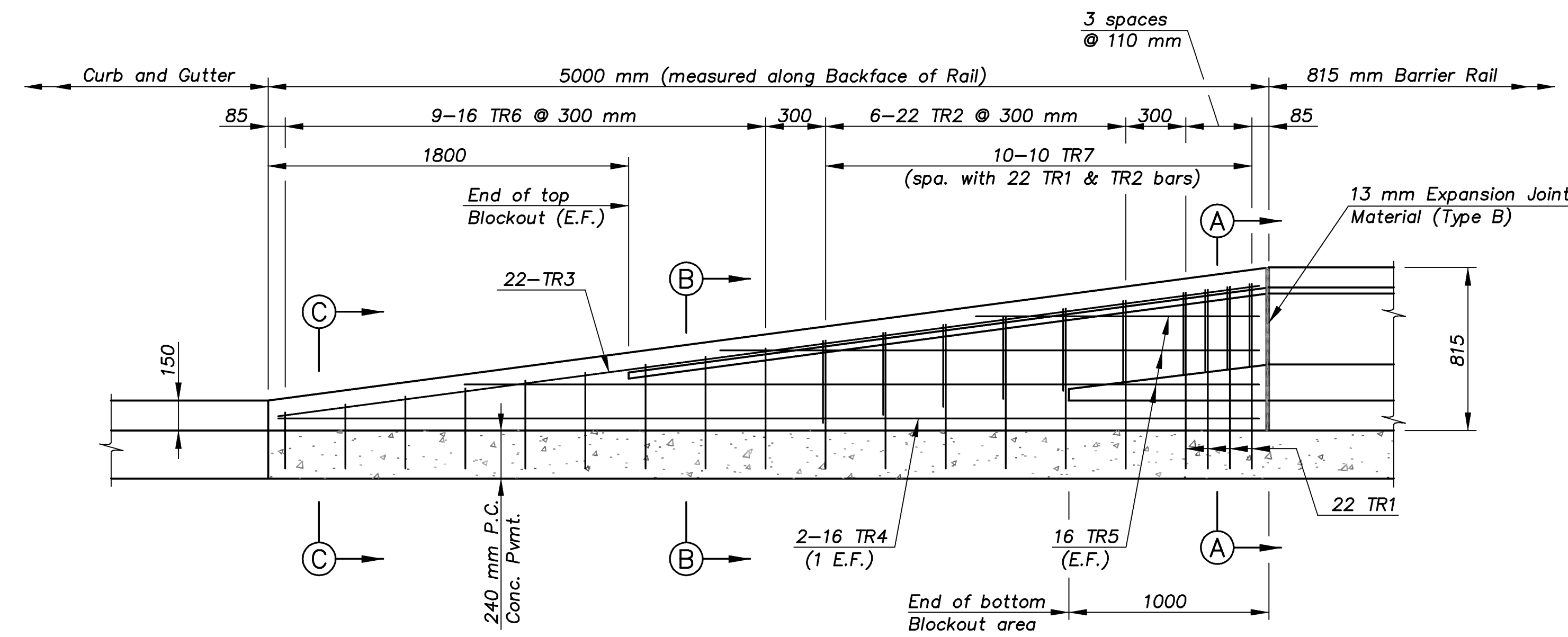
PLAN OF BARRIER TRANSITION RAIL



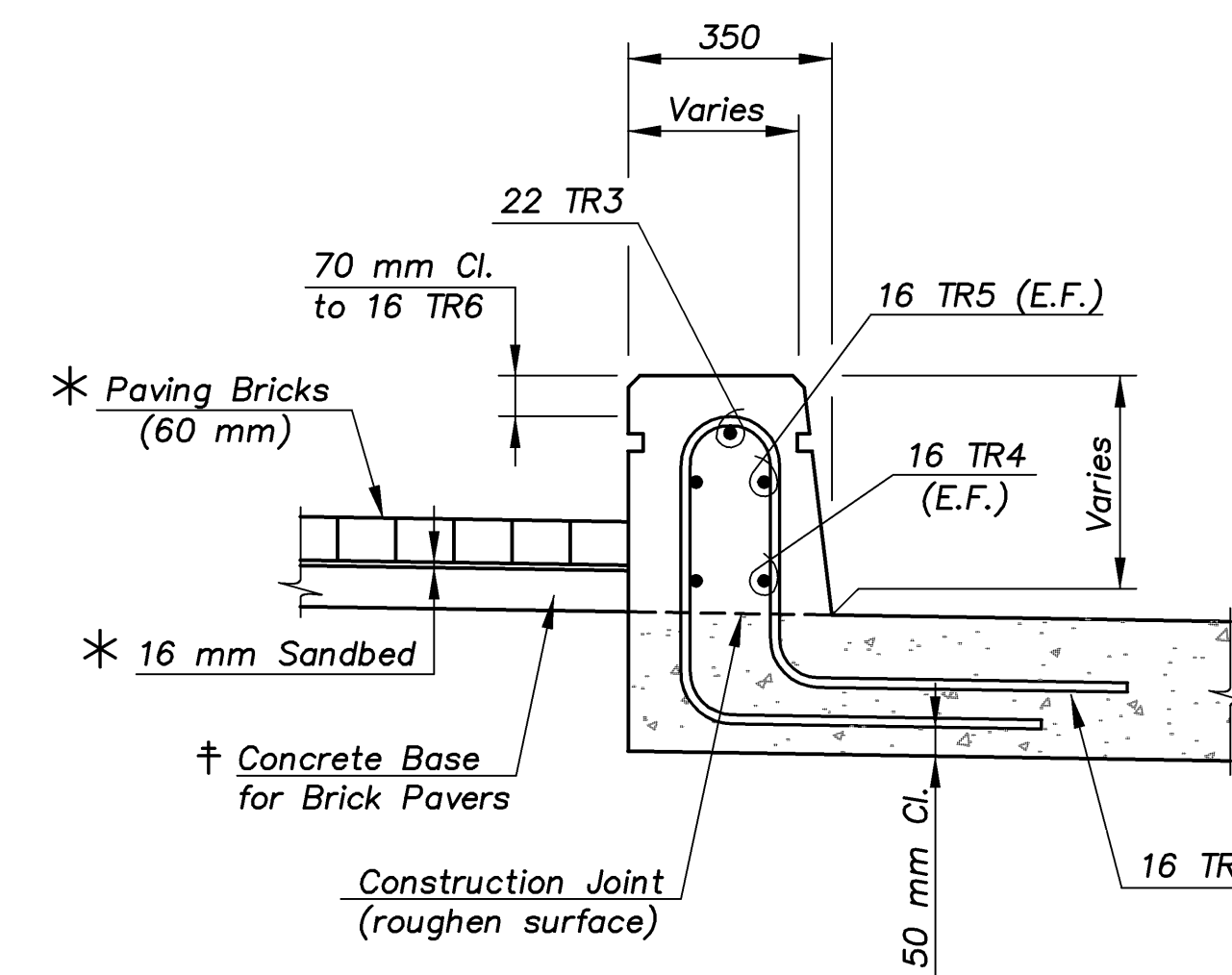
SECTION A-A
(Without Reinforcing)



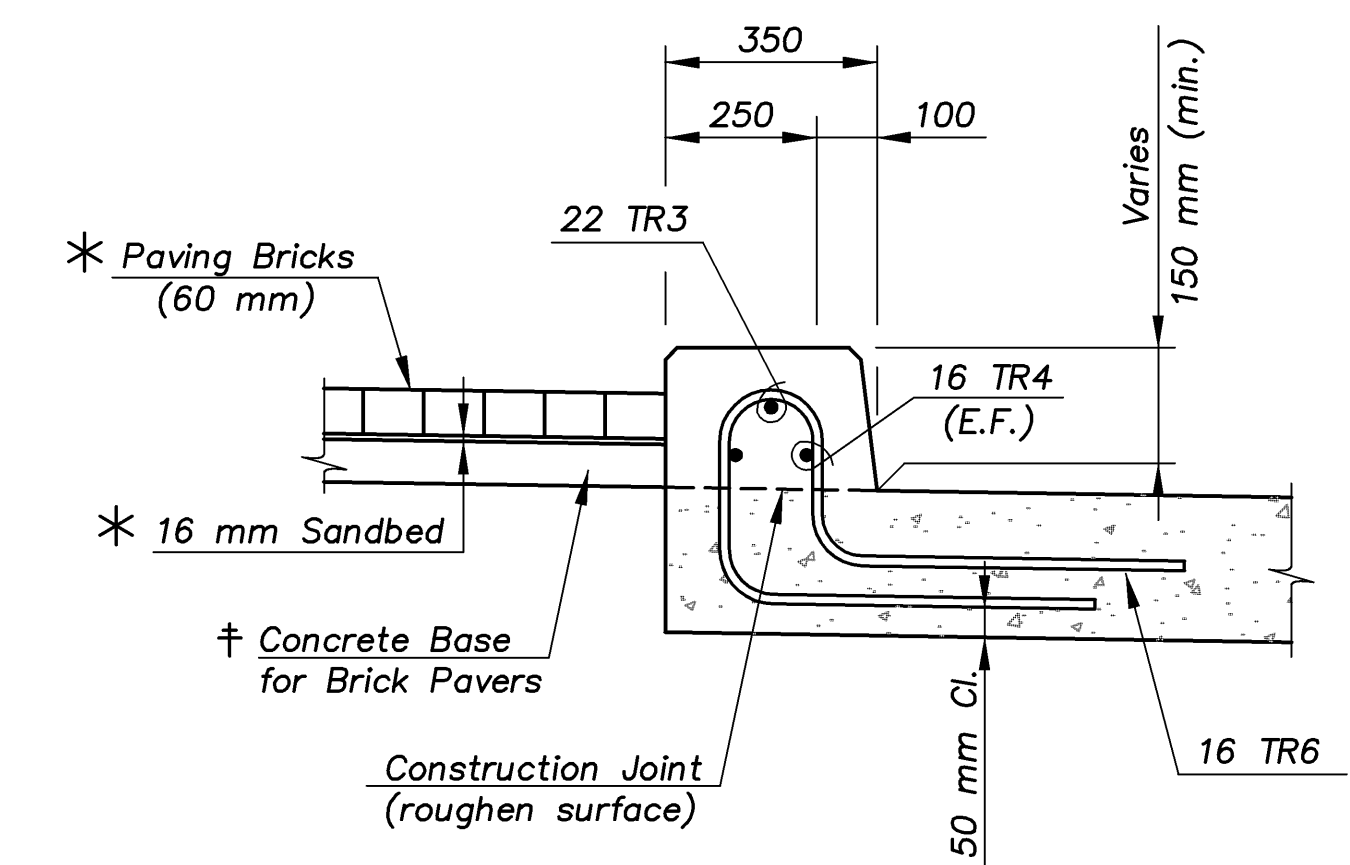
SECTION A-A
(With Reinforcing)



DEVELOPED ELEVATION OF TRANSITION BARRIER RAIL



SECTION B-B



SECTION C-C

* NOTE: Paving Bricks and 16 mm Sandbed shall be included in the Roadway Quantities for payment.

† NOTE: Concrete Base for Brick Pavers is included in the Roadway Quantities for payment.

KANSAS DEPARTMENT OF TRANSPORTATION

SPECIAL TRANSITION CONCRETE
 BARRIER RAIL DETAILS
 ARMOUR STA. 50+000 (RT.)



Cook, Flatt & Strobel
 ENGINEERS, P. A.

DESIGNED	R.S.C.	SCALE
DETAILED	T.R.G.	DATE
QUANTITIES	T.R.G.	SHEET 2 OF 4

Proj. No. 54-87 K-8258-01 SEDGWICK COUNTY

BARRIER-SPECIAL 1:100