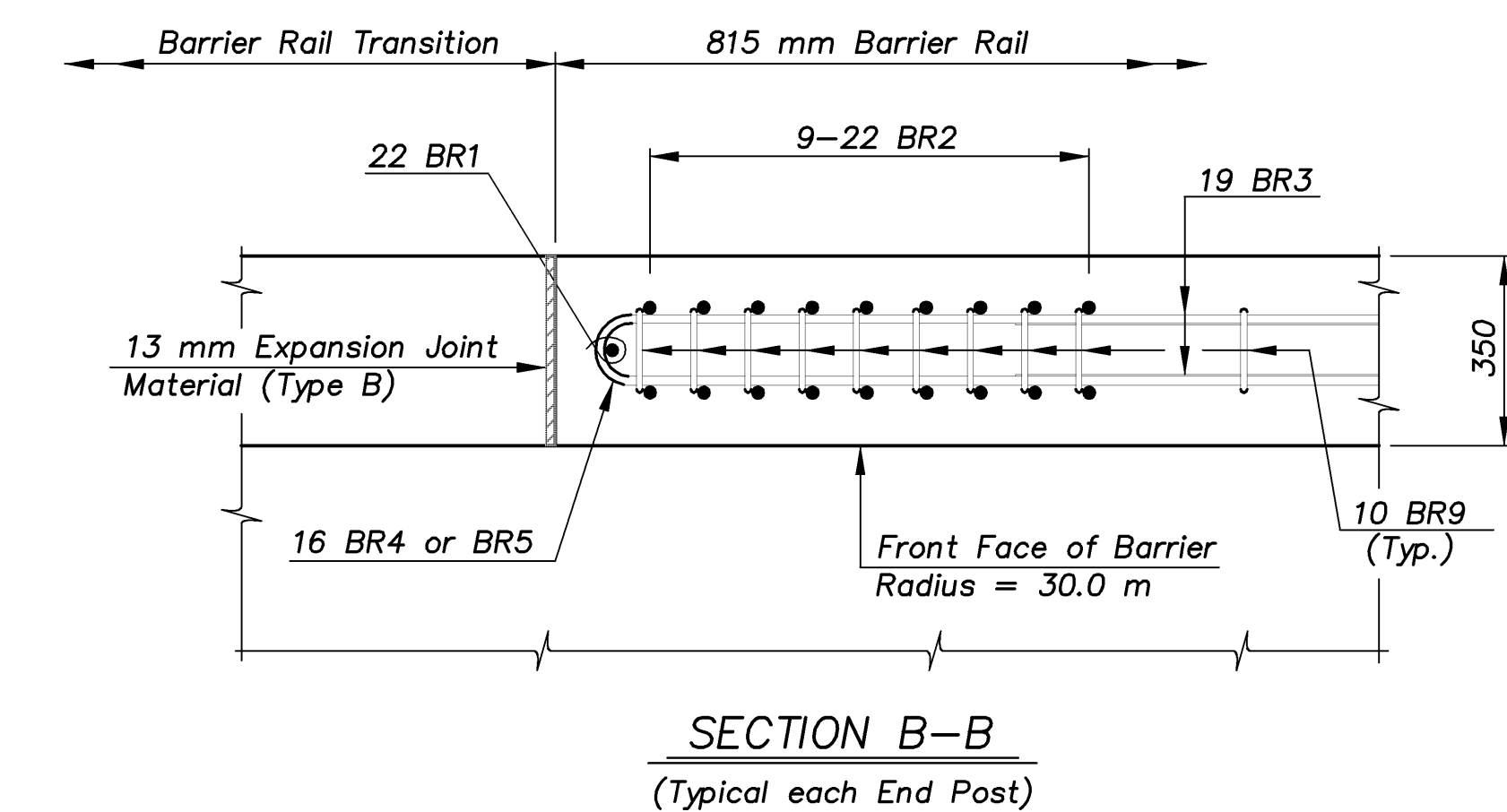
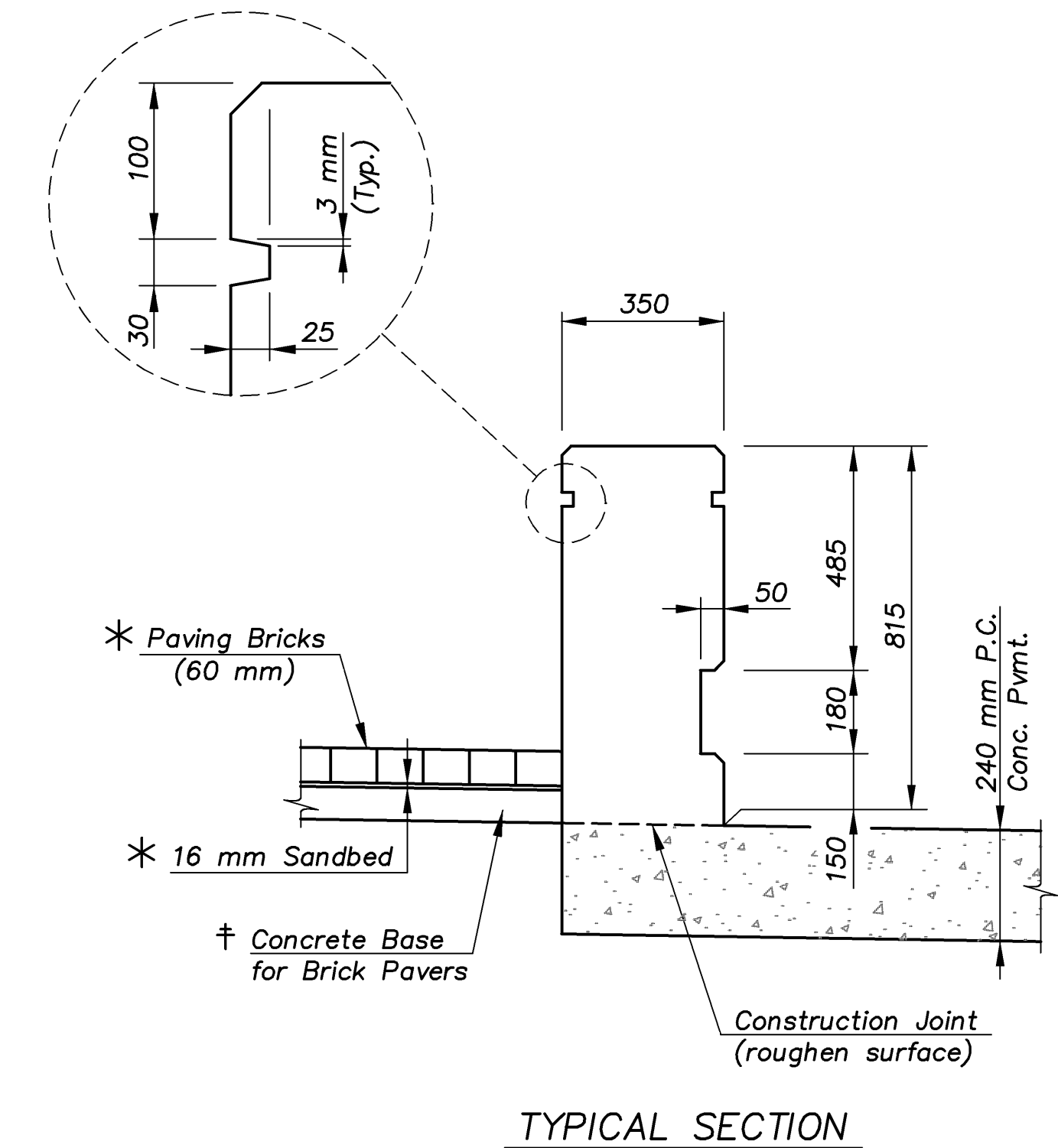
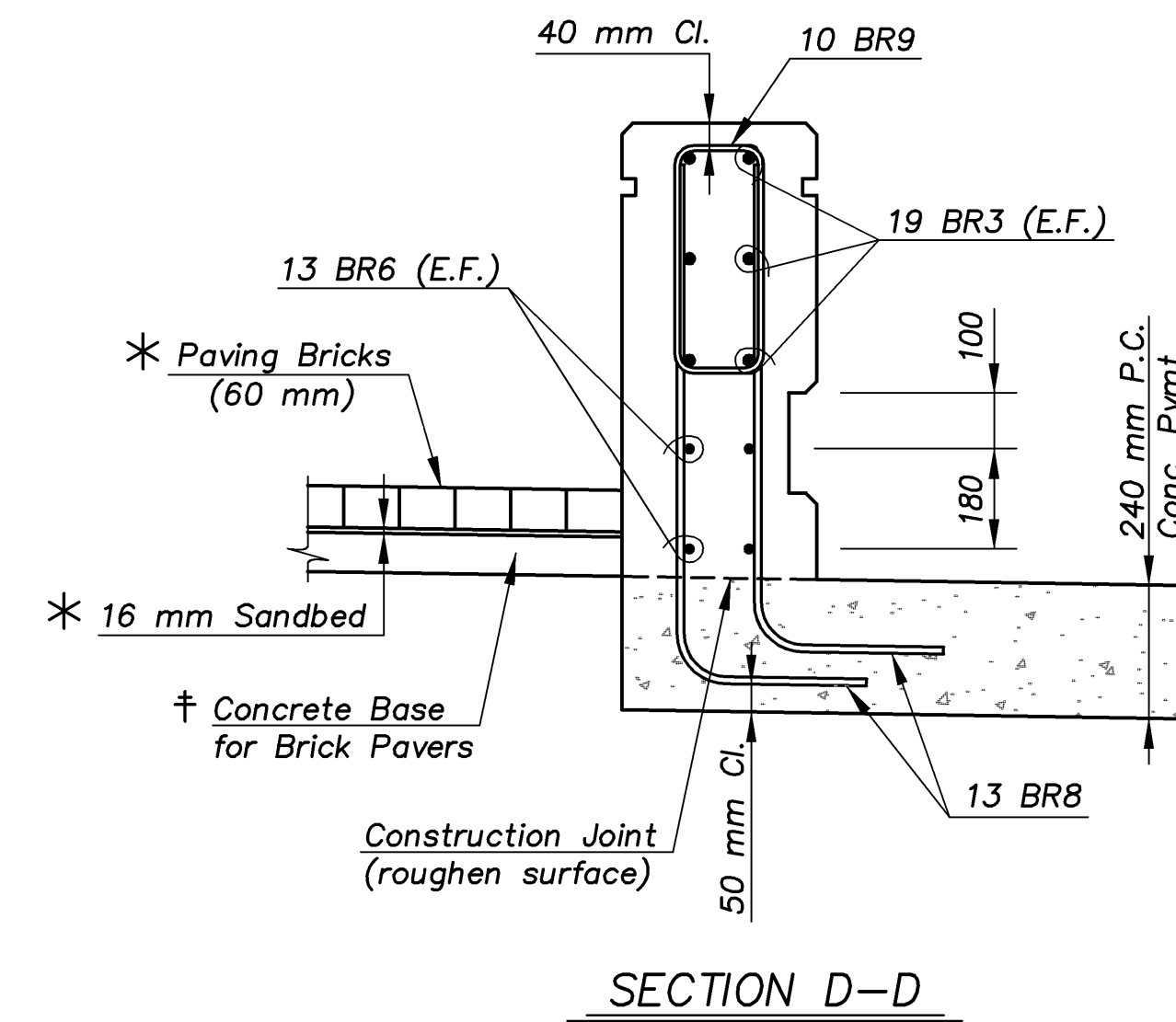
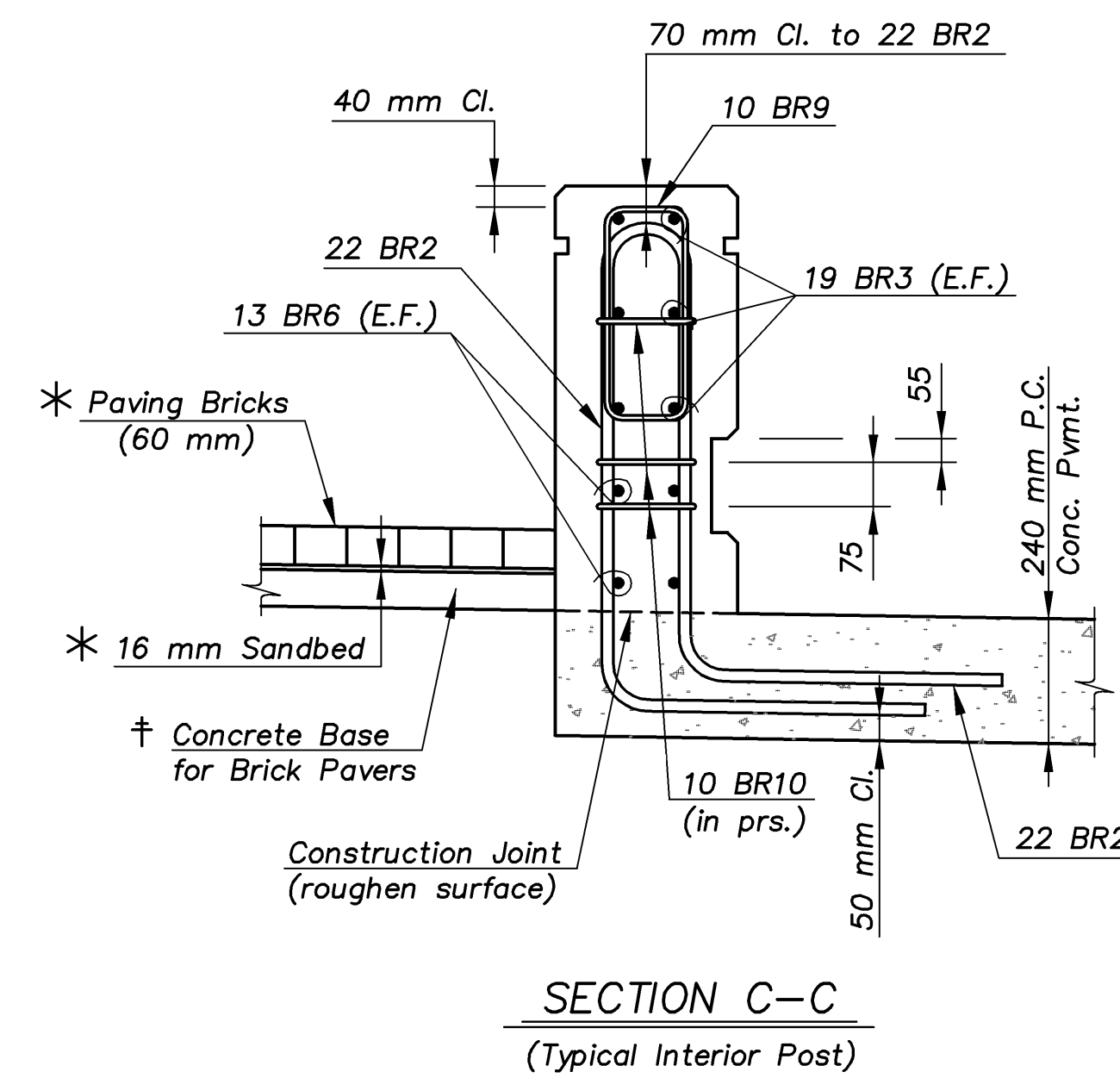
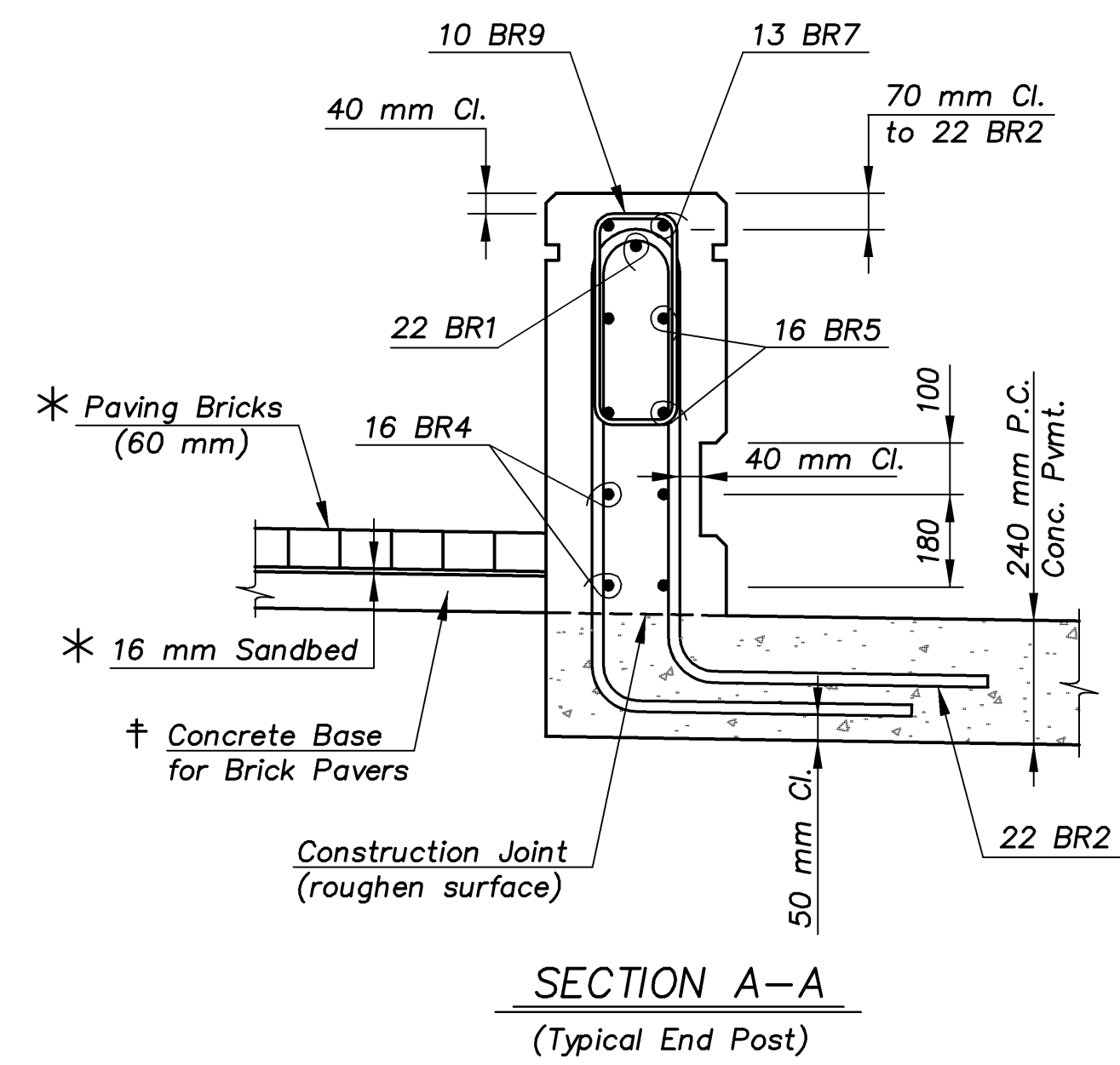
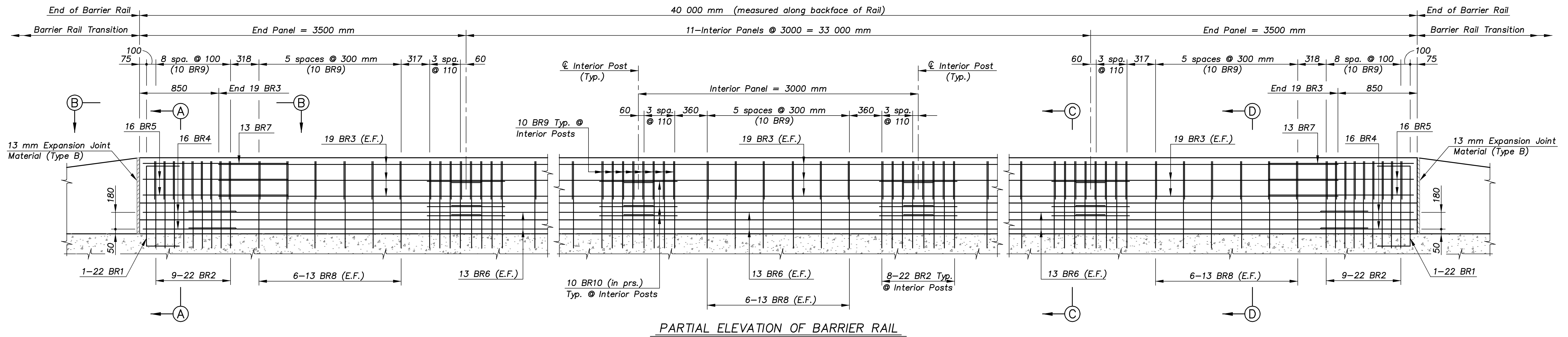


E.F. INDICATES EACH FACE.  
N.F. INDICATES NEAR FACE.  
F.F. INDICATES FAR FACE.

STATE	PROJECT NO.	YEAR	SHEET NO.	TOTAL SHEETS
KANSAS	54-87 K-8258-01	2007	75	556



\* **NOTE:** Paving Bricks and 16 mm Sandbed shall be included in the Roadway Quantities for payment.  
† **NOTE:** Concrete Base for Brick Pavers is included in the Roadway Quantities for payment.

KANSAS DEPARTMENT OF TRANSPORTATION		<b>CFS</b> Cook, Flatt & Strobel ENGINEERS, P. A.
<b>SPECIAL 815 mm CONCRETE BARRIER RAIL DETAILS</b> ARMOUR STA. 50+000 (RT.)		
DESIGNED	R.S.C.	SCALE
DETAILED	T.R.G.	DATE
Proj. No. 54-87 K-8258-01	SEDGWICK COUNTY	QUANTITIES T.R.G. SHEET 3 OF 4

BARRIER-SPECIAL 1:100