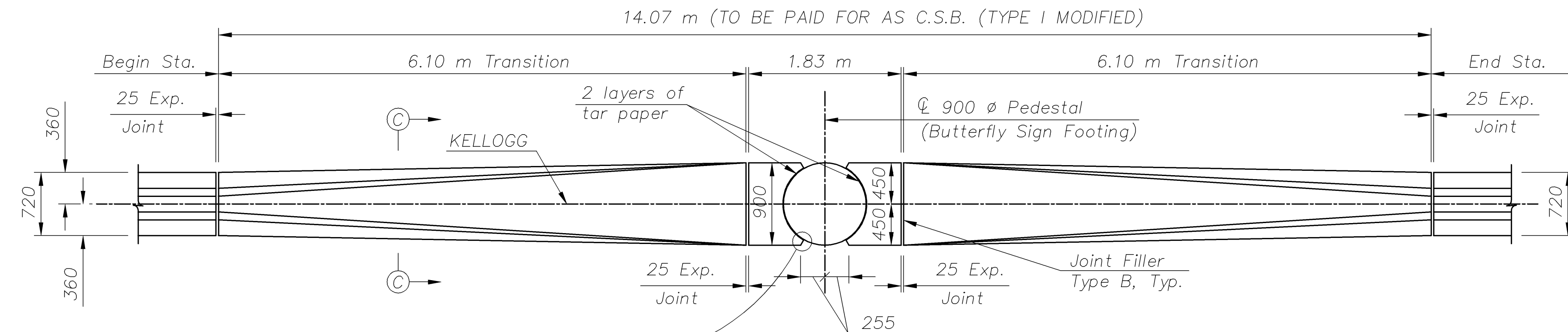
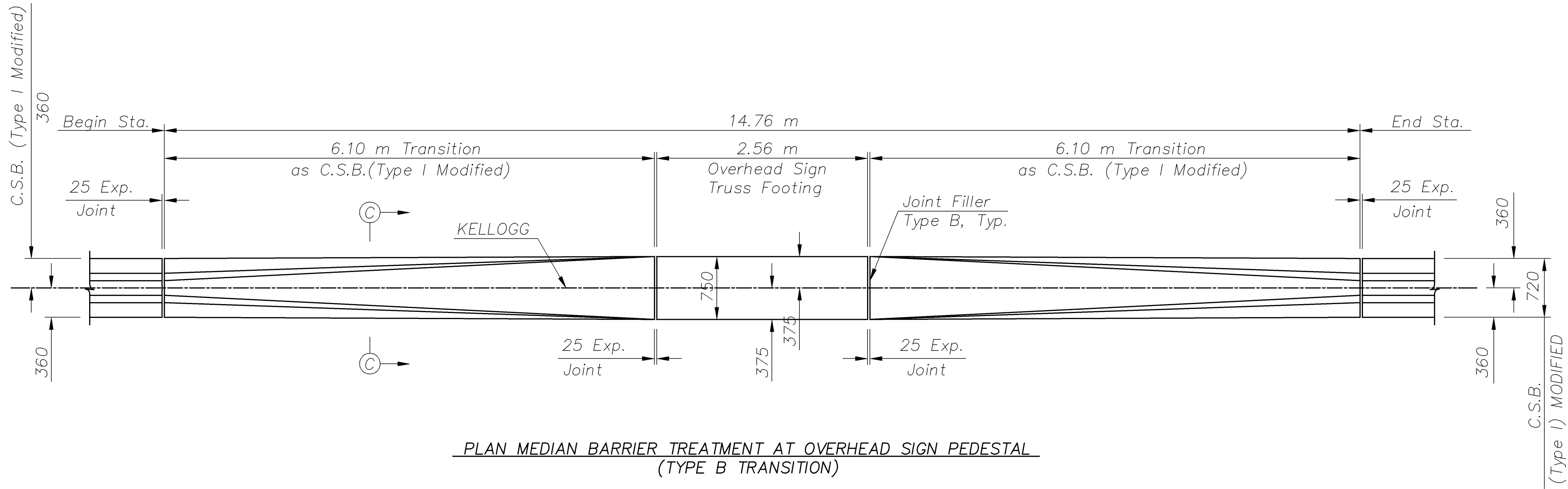


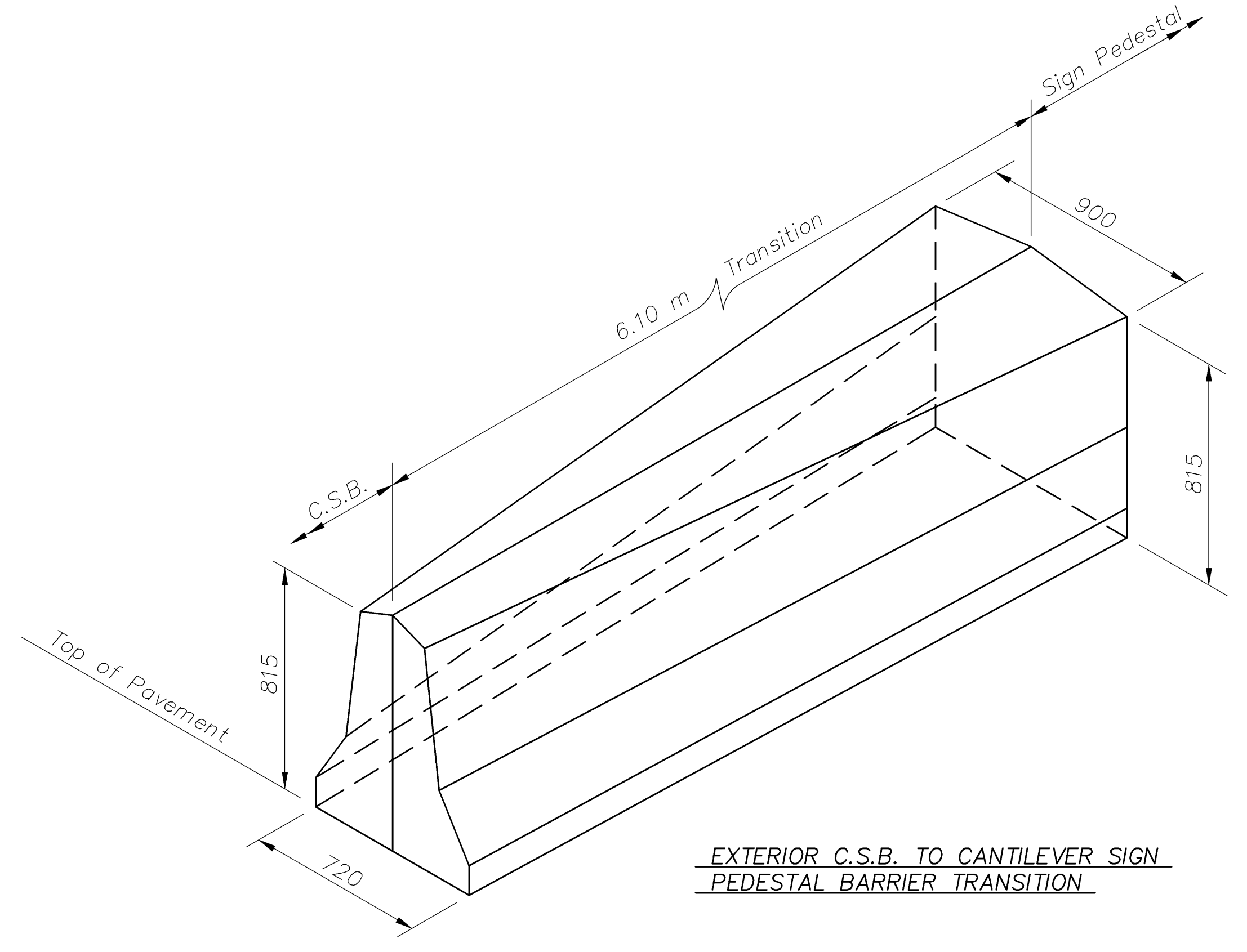
| C.S.B. TRANSITION DATA | | | | |
|------------------------|-----------|----------|------|---------|
| BEG. STA. | END STA. | LOCATION | TYPE | REMARKS |
| 1+741.820 | 1+756.580 | KELLOGG | B | |
| 2+667.120 | 2+681.880 | KELLOGG | B | |
| | | | | |
| | | | | |



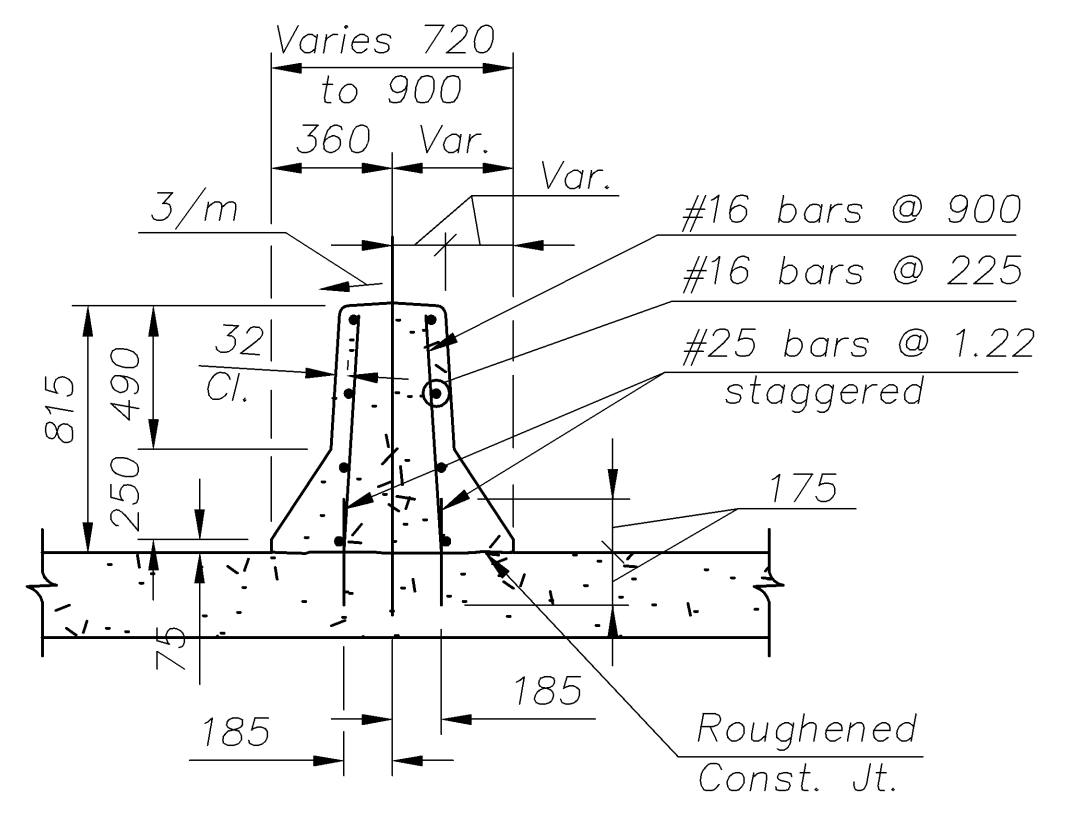
PLAN MEDIAN BARRIER TREATMENT AT BUTTERFLY SIGN PEDESTAL (TYPE A TRANSITION)



PLAN MEDIAN BARRIER TREATMENT AT OVERHEAD SIGN PEDESTAL (TYPE B TRANSITION)



EXTERIOR C.S.B. TO CANTILEVER SIGN PEDESTAL BARRIER TRANSITION



SECTION C-C

NOTE:
 REINFORCING STEEL SHALL CONFORM WITH THE REQUIREMENTS OF ASTM A615, GR. 60 AND SHALL BE EPOXY COATED.
 FOR C.S.B. GENERAL NOTES, SEE C.S.B. DETAILS.
 FOR SIGN FOOTING DETAILS, SEE SIGNING SHEETS.

| | |
|-------------------|--|
| DATE | |
| BY | |
| REFERENCE NOTED | |
| REFERENCE CHECKED | |

Drawn by: _____
 Plotted: _____
 SCALE