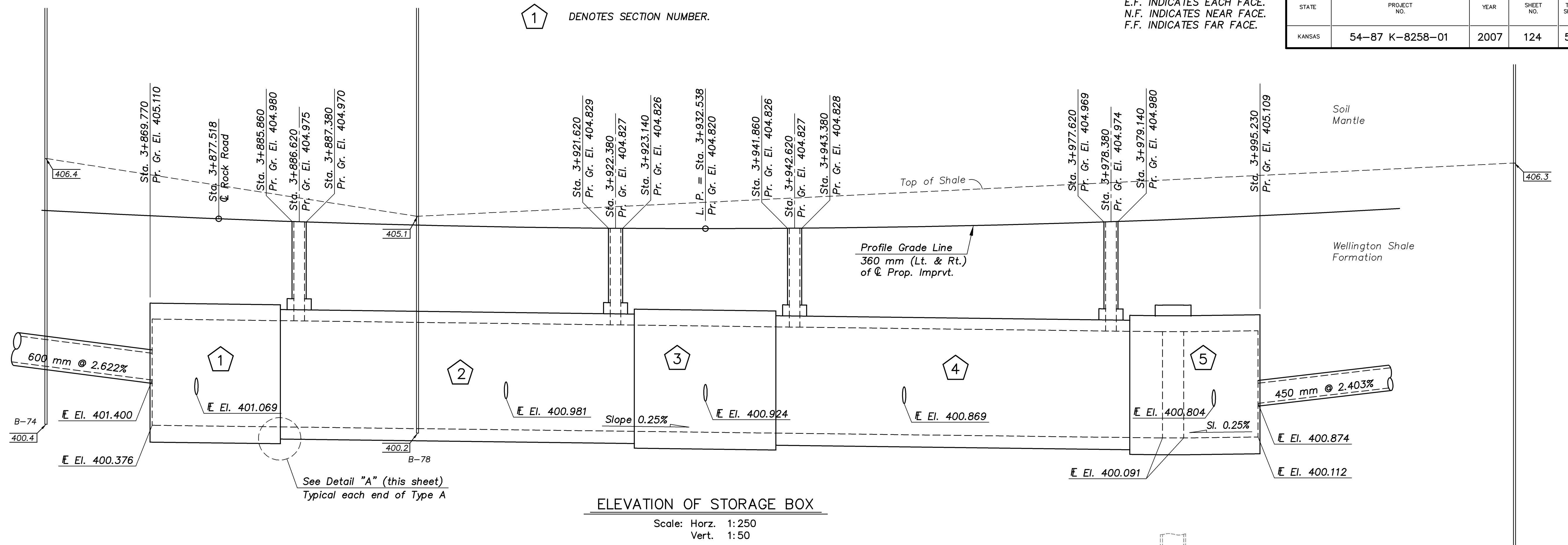
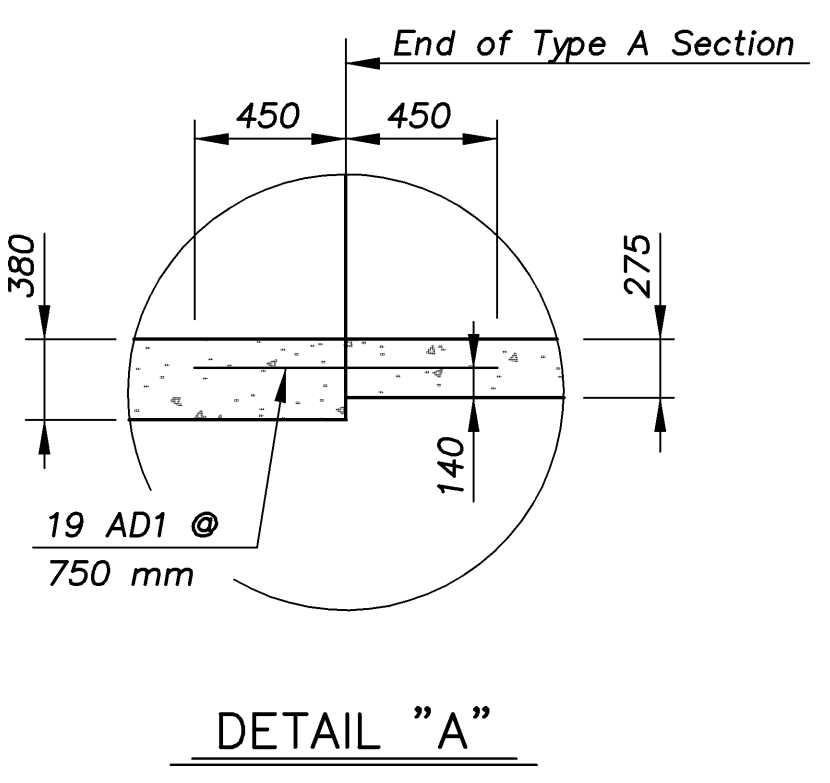
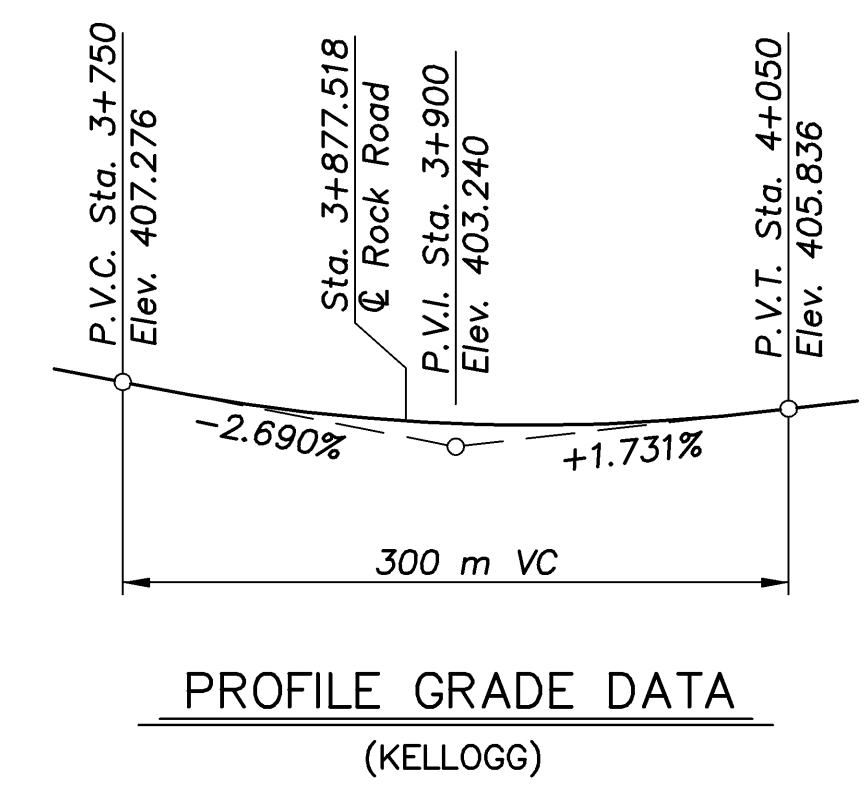


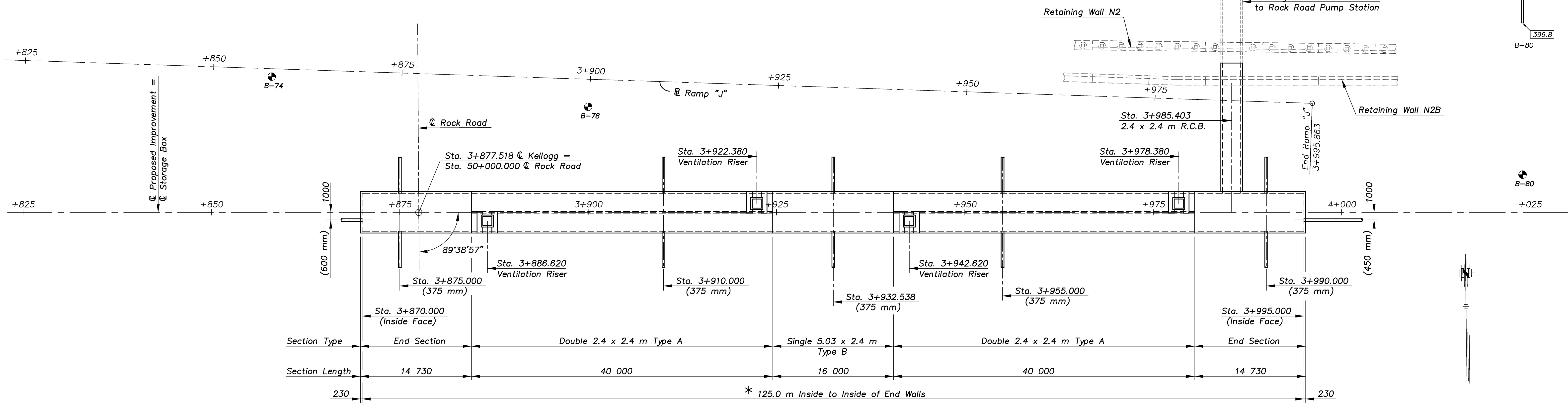
| STATE | PROJECT NO. | YEAR | SHEET NO. | TOTAL SHEETS |
|--------|-----------------|------|-----------|--------------|
| KANSAS | 54-87 K-8258-01 | 2007 | 124 | 556 |

E.F. INDICATES EACH FACE.
N.F. INDICATES NEAR FACE.
F.F. INDICATES FAR FACE.

1 DENOTES SECTION NUMBER.



ELEVATION OF STORAGE BOX
Scale: Horz. 1:250
Vert. 1:50



PLAN OF STORAGE BOX
Scale 1:250

* Measured along centerline of Project

KANSAS DEPARTMENT OF TRANSPORTATION

CFS
Cook, Flatt & Strobel
ENGINEERS, P. A.

DESIGNED R.S.C. SCALE Varies
DETAILED T.R.G. DATE
QUANTITIES T.R.G. SHEET 1 OF 9

GENERAL PLAN AND ELEVATION
DOUBLE 2.4 x 2.4 m R.C.B.
KELLOGG STORAGE BOX

Proj. No. 54-87 K-8258-01 SEDGWICK COUNTY

Storage-RCB/Kellogg 1:250