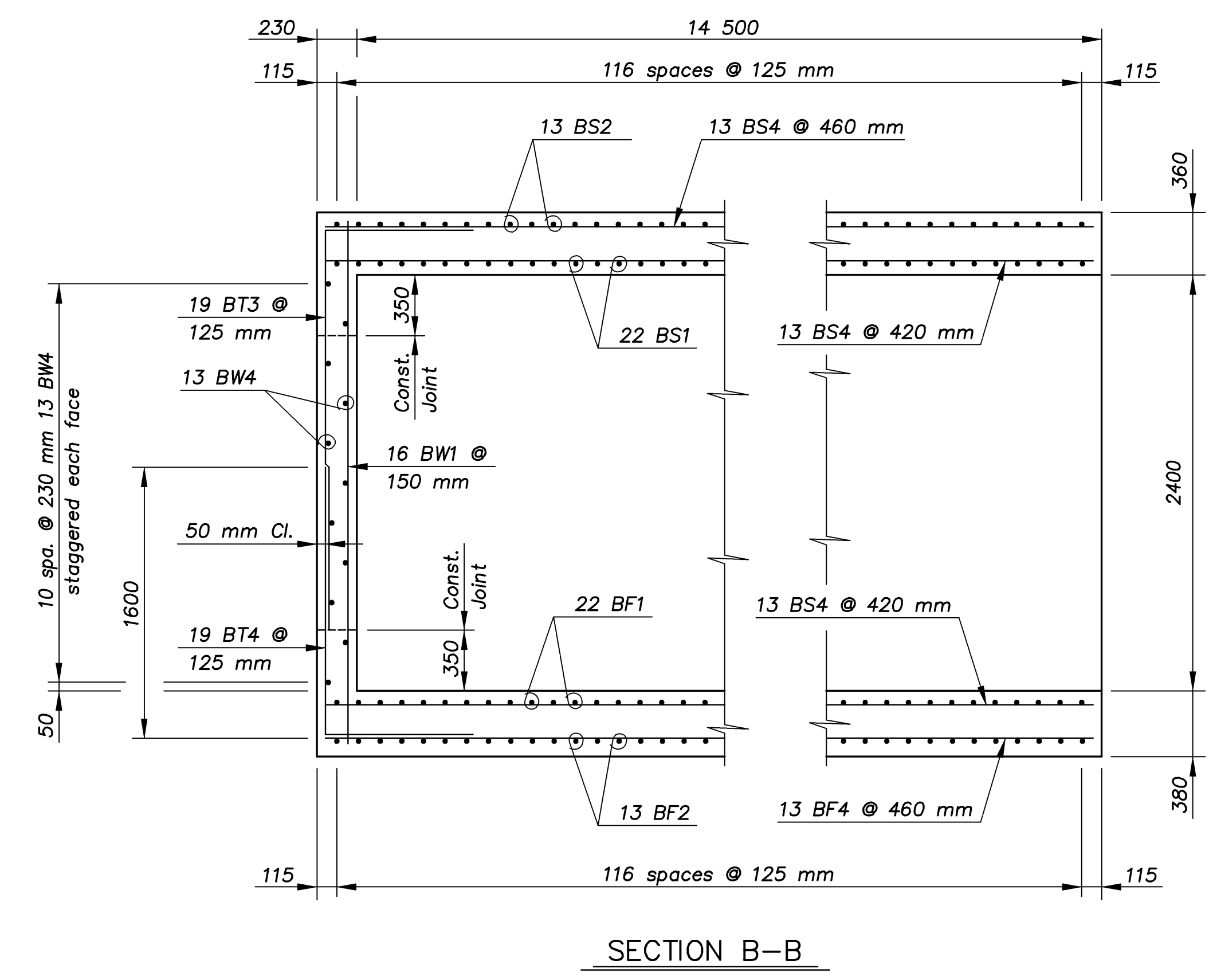
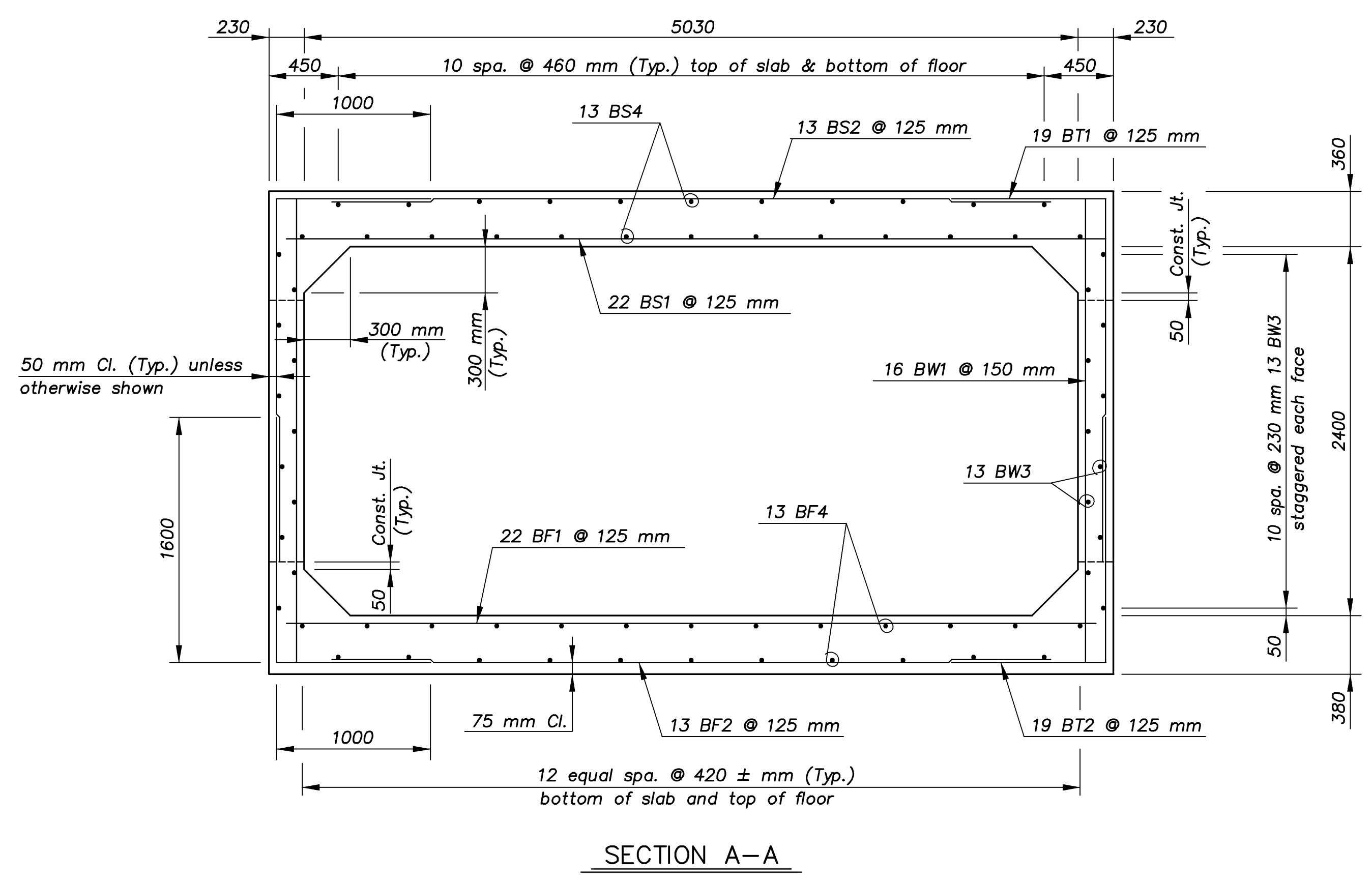
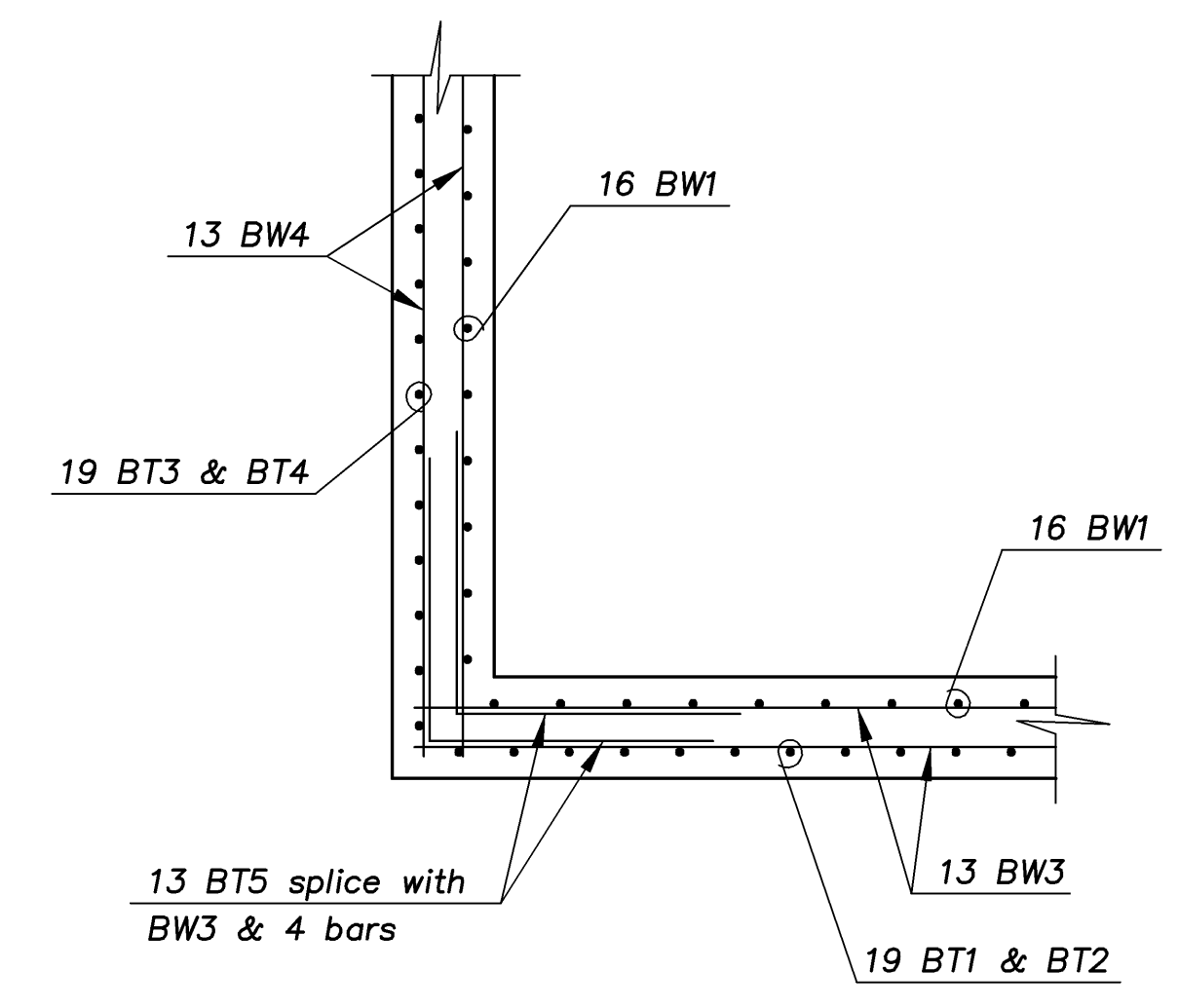
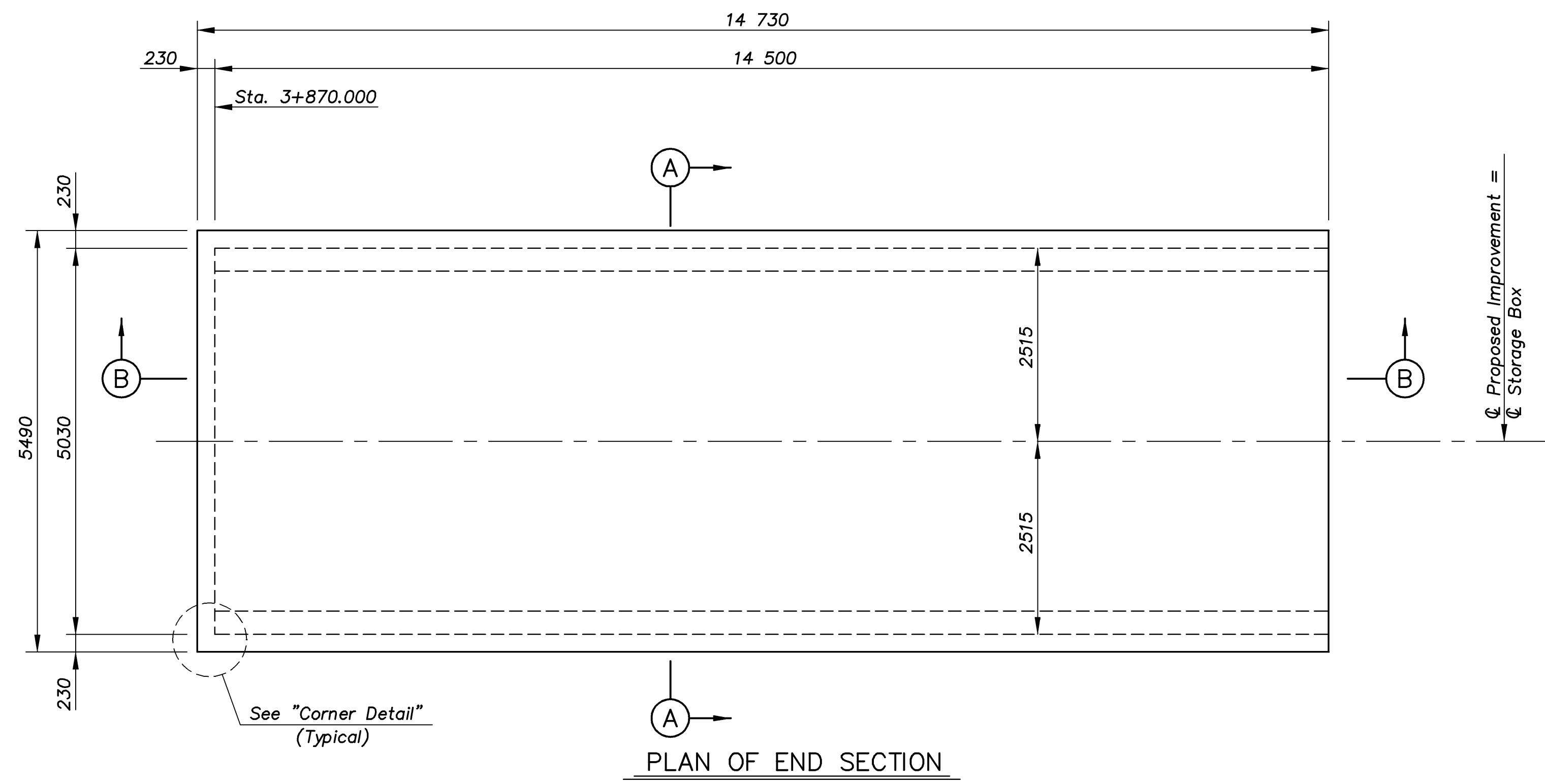


E.F. INDICATES EACH FACE.
 N.F. INDICATES NEAR FACE.
 F.F. INDICATES FAR FACE.

STATE	PROJECT NO.	YEAR	SHEET NO.	TOTAL SHEETS
KANSAS	54-87 K-8258-01	2007	127	556



Storage-RCB/Kellogg
1:250

KANSAS DEPARTMENT OF TRANSPORTATION

R.C.B. STORAGE BOX
END SECTION No. 1 DETAILS

Proj. No. 54-87 K-8258-01 SEDGWICK COUNTY

CFS
Cook, Flatt & Strobel
ENGINEERS, P. A.

DESIGNED	R.S.C.	SCALE	Varies
DETAILED	T.R.G.	DATE	
QUANTITIES	T.R.G.	SHEET	4 OF 9