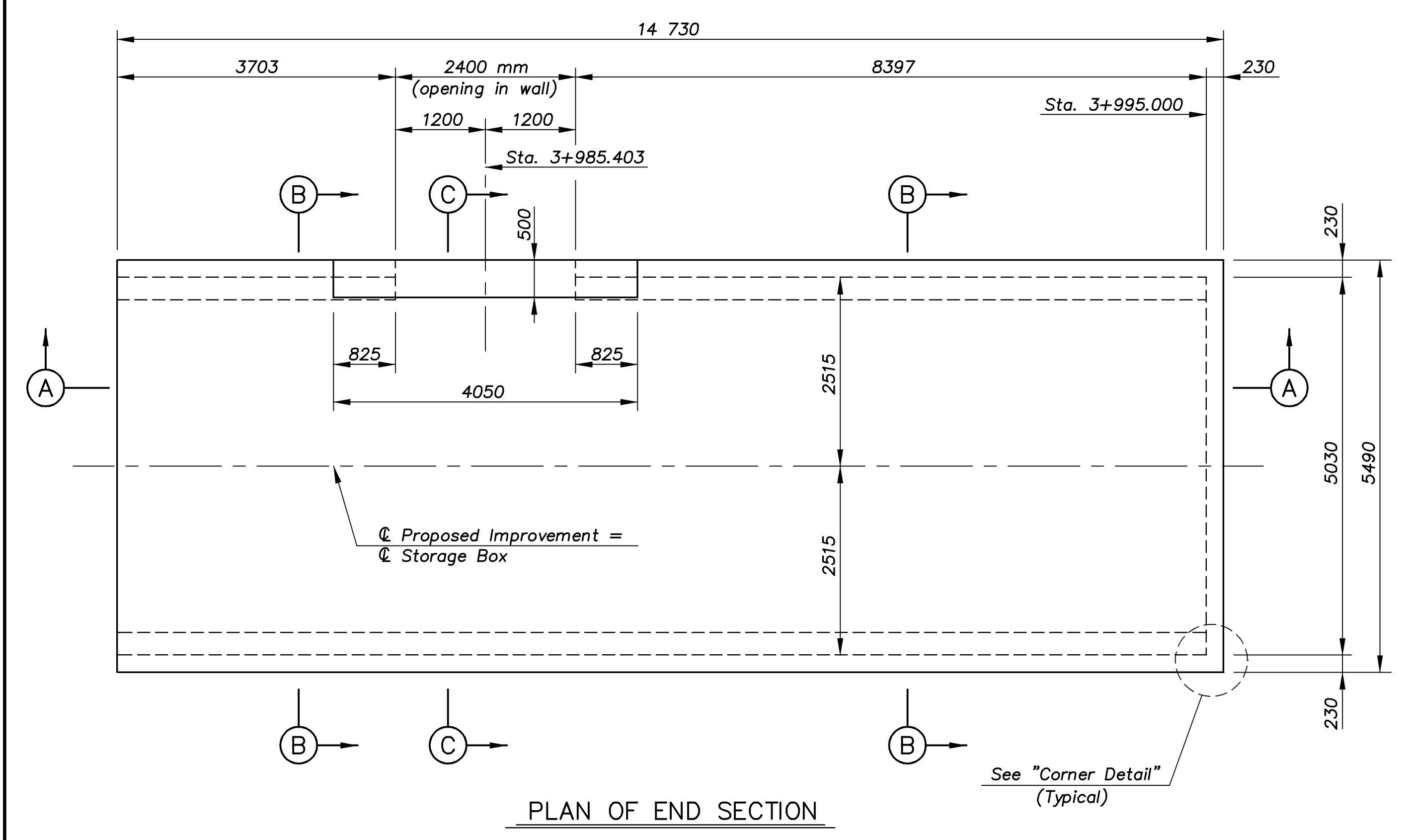
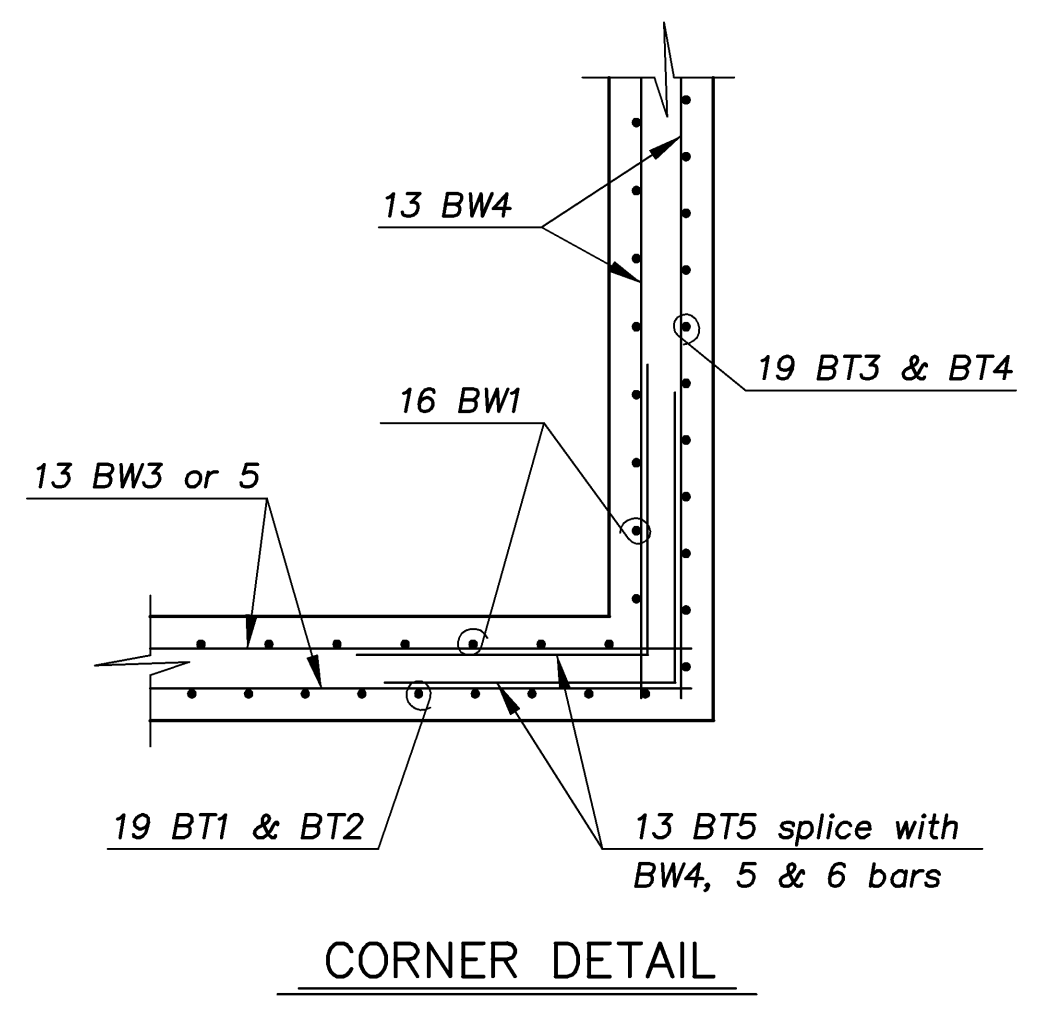


E.F. INDICATES EACH FACE.
 N.F. INDICATES NEAR FACE.
 F.F. INDICATES FAR FACE.

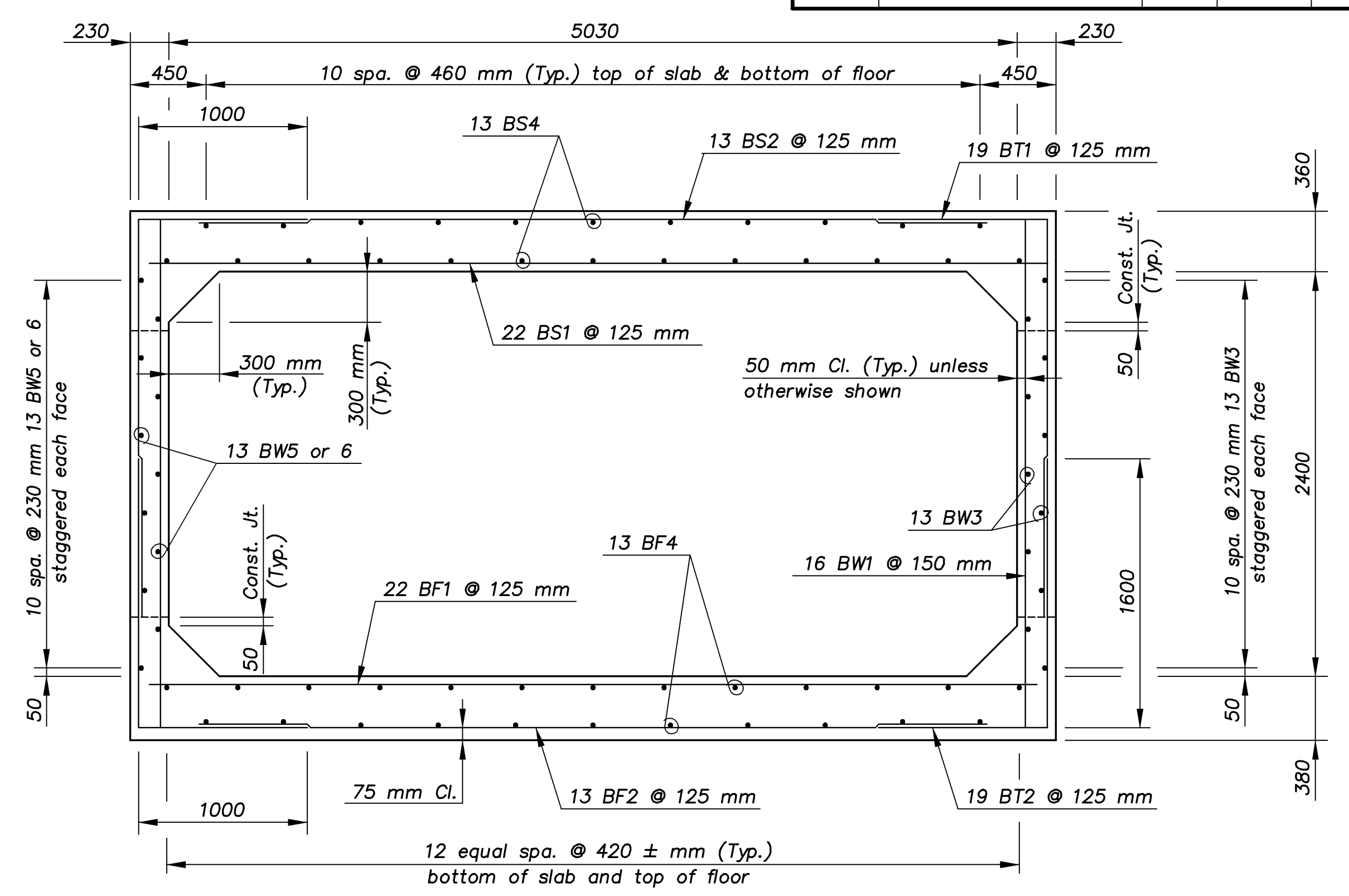
STATE	PROJECT NO.	YEAR	SHEET NO.	TOTAL SHEETS
KANSAS	54-87 K-8258-01	2007	128	556



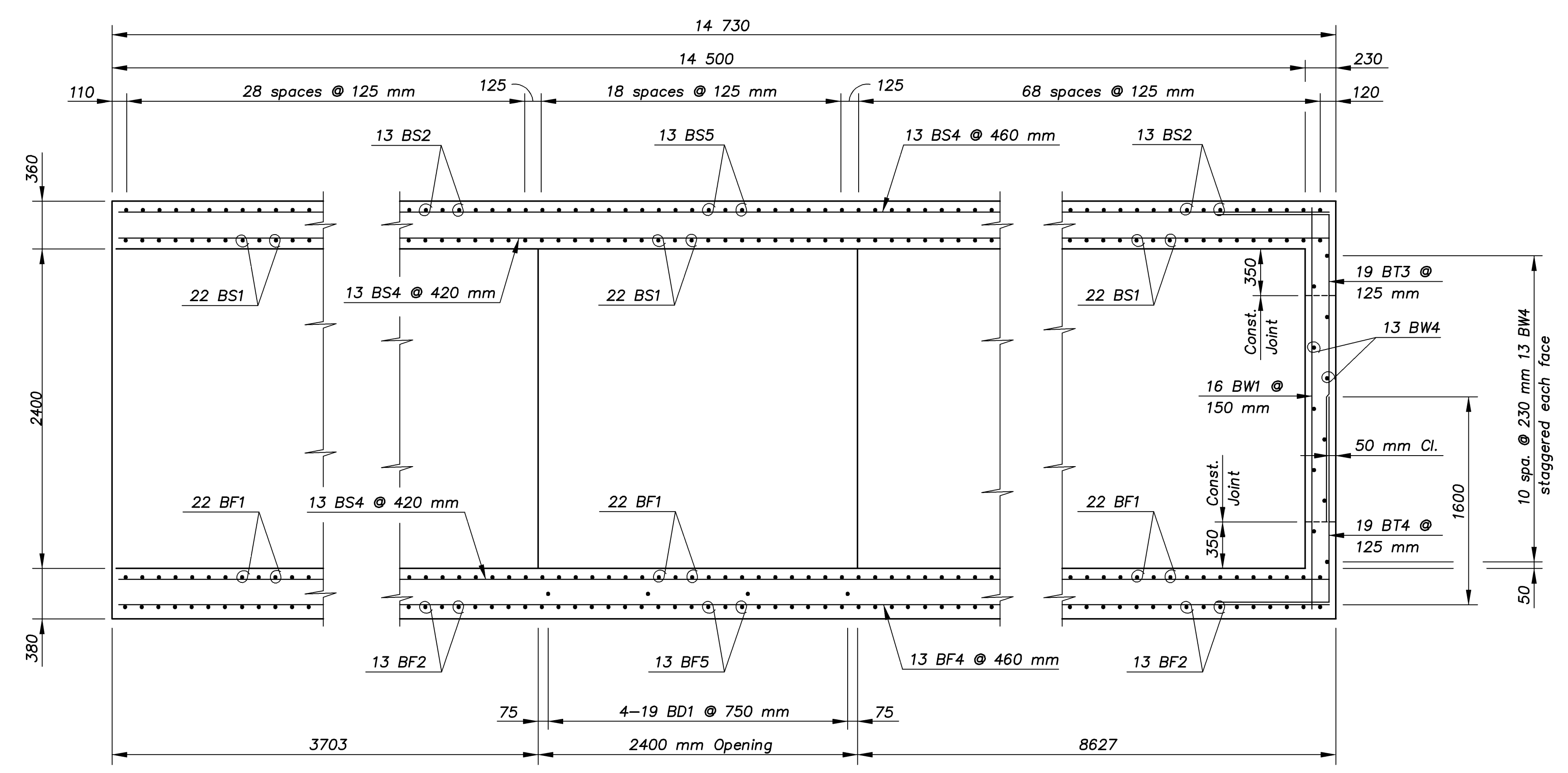
PLAN OF END SECTION



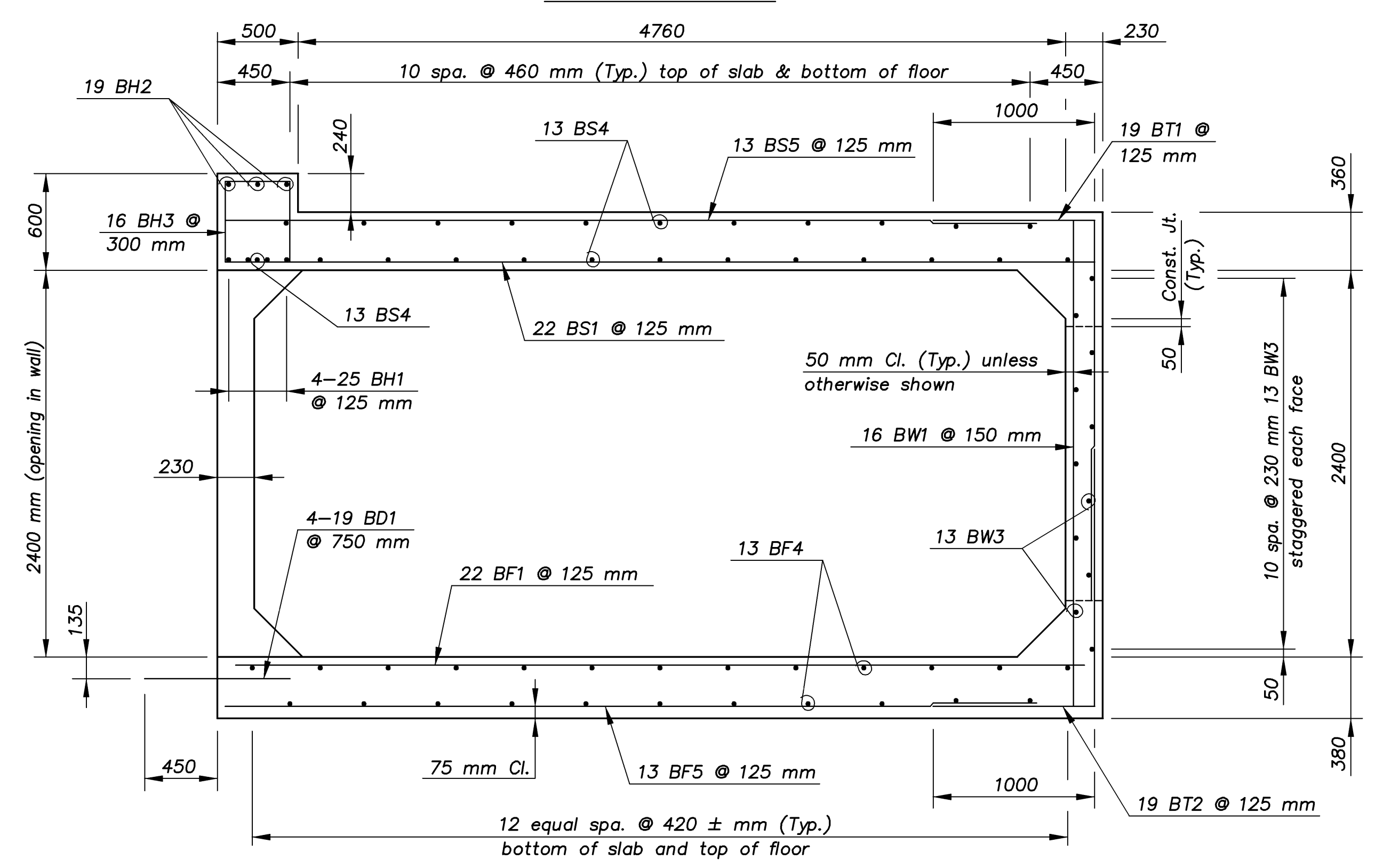
CORNER DETAIL



SECTION B-B




SECTION A-A



SECTION C-C

Storage-RCE/Kellogg 1:250

KANSAS DEPARTMENT OF TRANSPORTATION		 Cook, Flatt & Strobel ENGINEERS, P. A.	
R.C.B. STORAGE BOX END SECTION No. 5 DETAILS			
DESIGNED	R.S.C.	SCALE	Varies
DETAILED	T.R.G.	DATE	
Proj. No. 54-87 K-8258-01		SEDGWICK COUNTY	QUANTITIES T.R.G. SHEET 5 OF 9