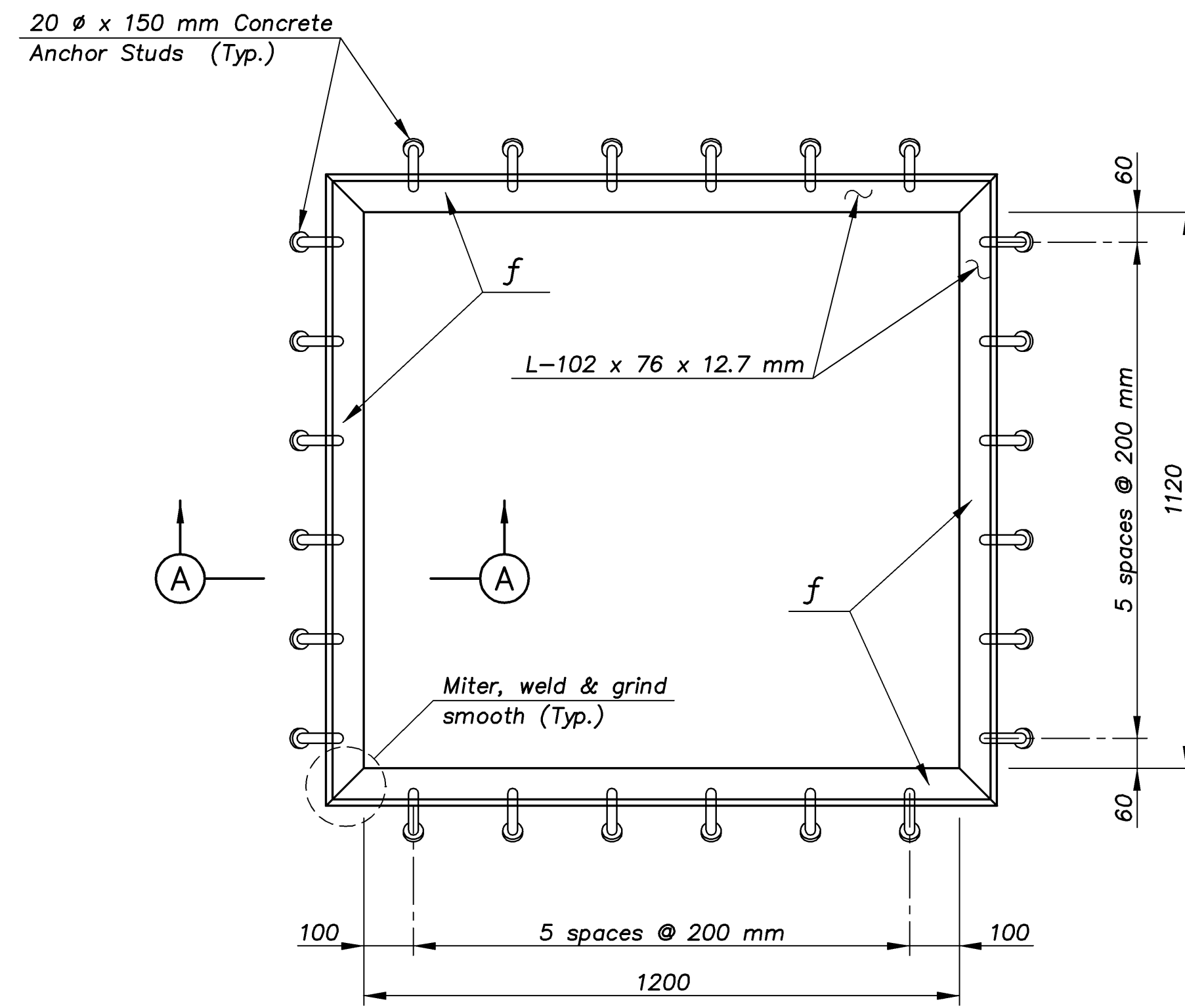


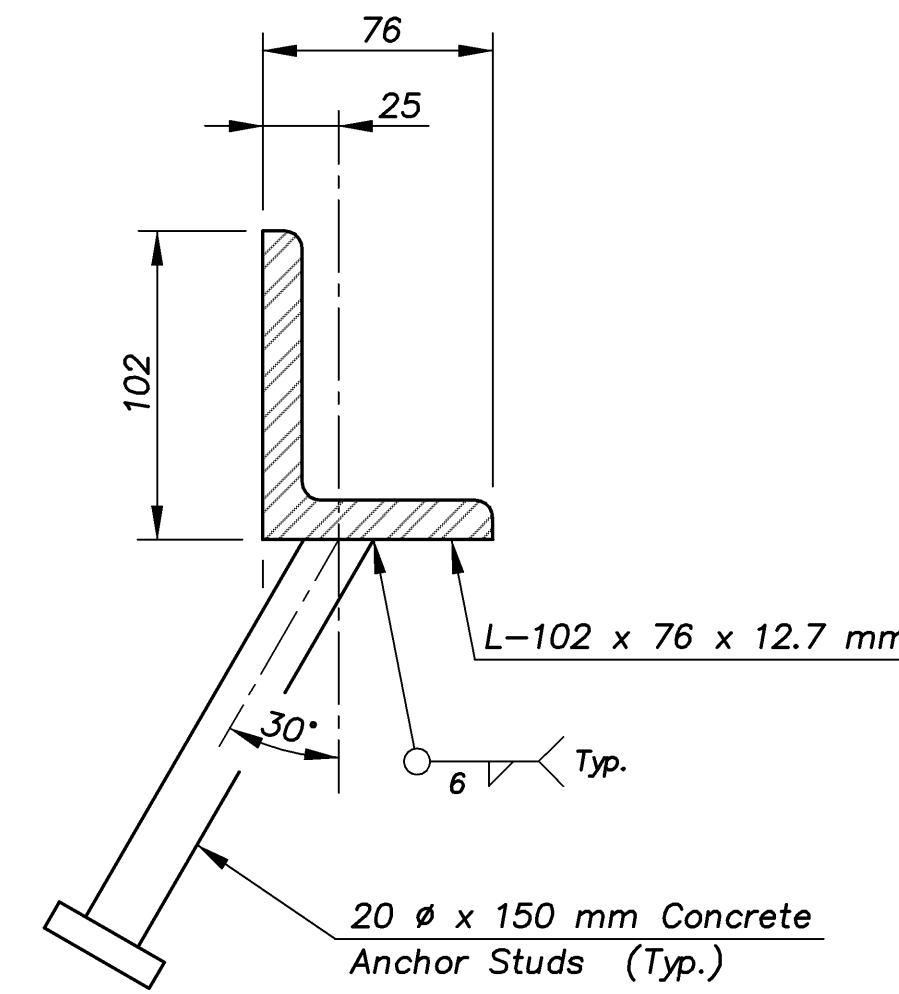
E.F. INDICATES EACH FACE.  
 N.F. INDICATES NEAR FACE.  
 F.F. INDICATES FAR FACE.

STATE	PROJECT NO.	YEAR	SHEET NO.	TOTAL SHEETS
KANSAS	54-87 K-8258-01	2007	131	556

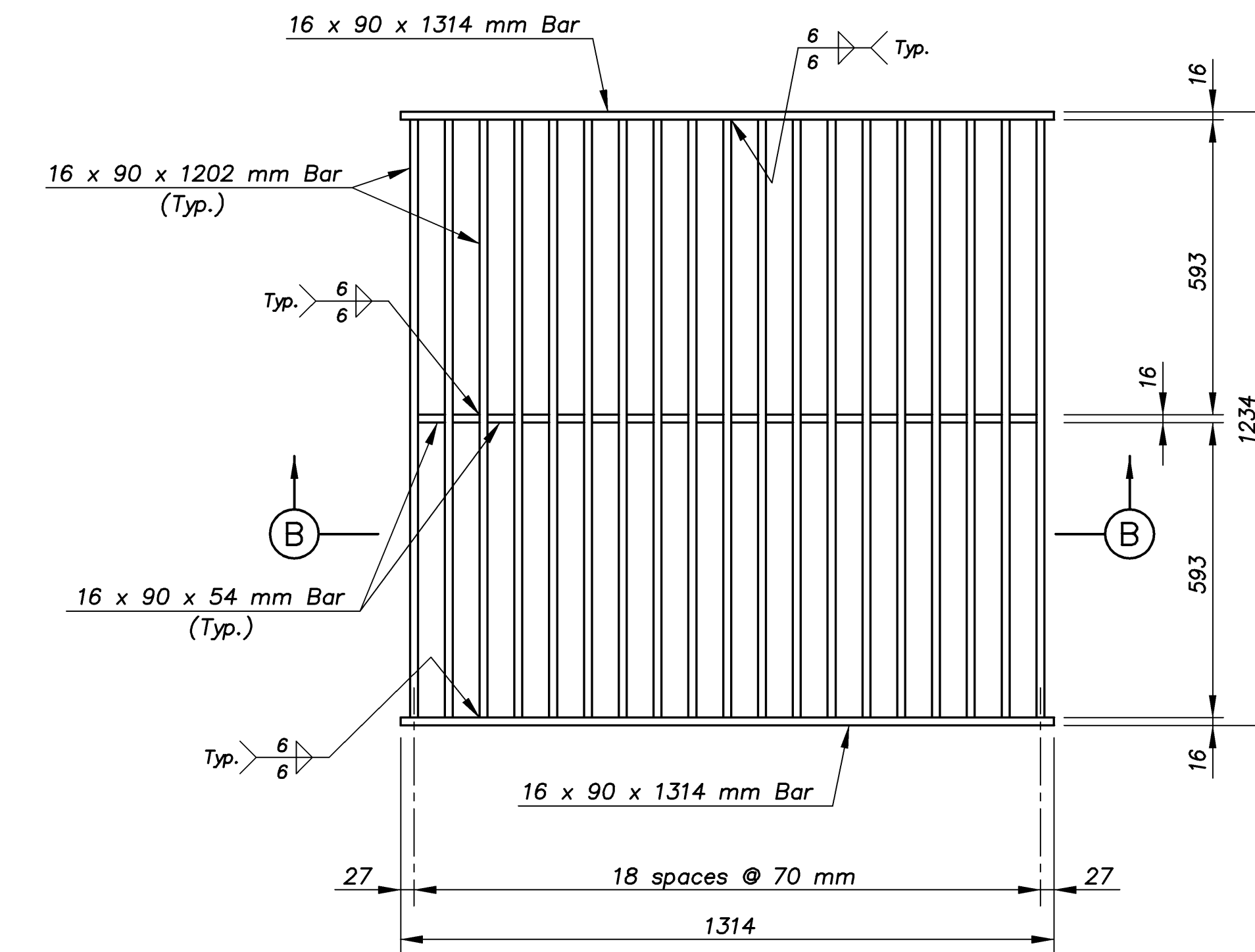
NOTE: To prevent grate from rocking on frame angles, machine finish surfaces indicated thus "f".



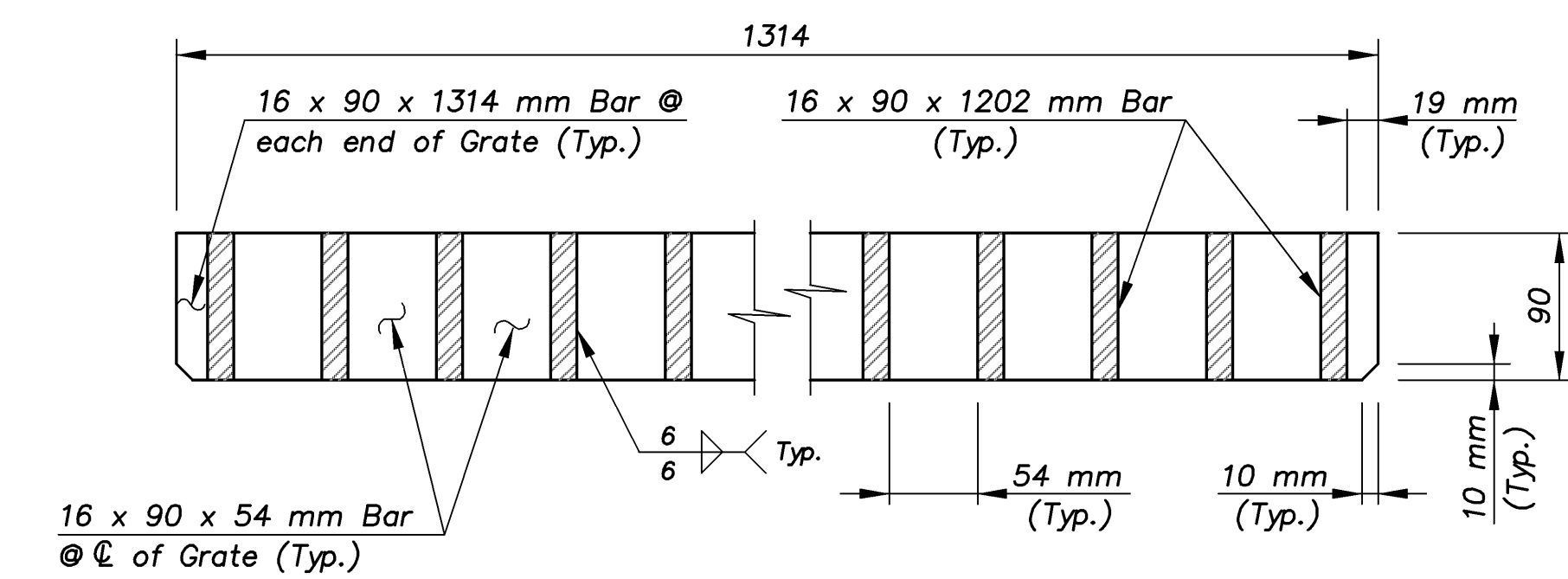
PLAN VIEW OF FRAME



SECTION A-A



PLAN VIEW OF GRATE



SECTION B-B


GENERAL NOTES

All structural steel required for the grates and frames shall conform to the requirements of ASTM A709M Grade 250. All parts shall be galvanized after fabrication in accordance with KDOT Standard Specifications.

Cost of furnishing and installing the steel grates and frames shall be considered Subsidiary to other items for the R.C.B. Storage Box. See "Typical Section & General Notes" sheet.

Weight of steel grate is approximately 91.4 kg.  
 Weight of steel frame assembly is approximately 298.4 kg.

Storage-RCB/Kellogg  
 1:250

KANSAS DEPARTMENT OF TRANSPORTATION		 <b>Cook, Flatt &amp; Strobel</b> ENGINEERS, P. A.
R.C.B. STORAGE BOX VENTILATION GRATE DETAILS		
DESIGNED R.S.C.	SCALE Varies	PROJECT NO. 54-87 K-8258-01 SEDGWICK COUNTY
DETAILED T.R.G.	DATE	
QUANTITIES T.R.G.	SHEET 8 OF 9	