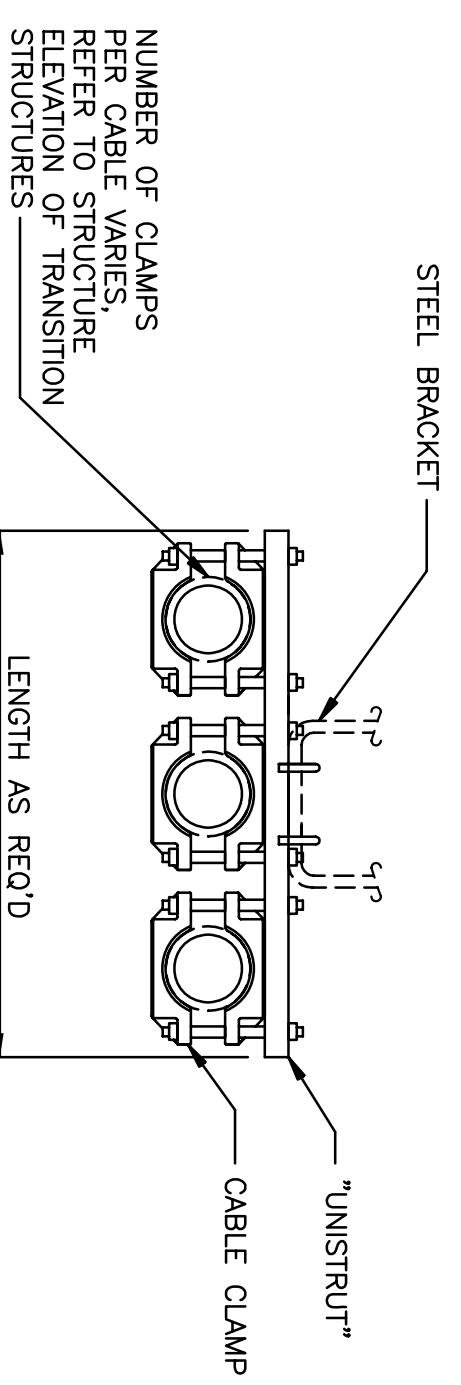
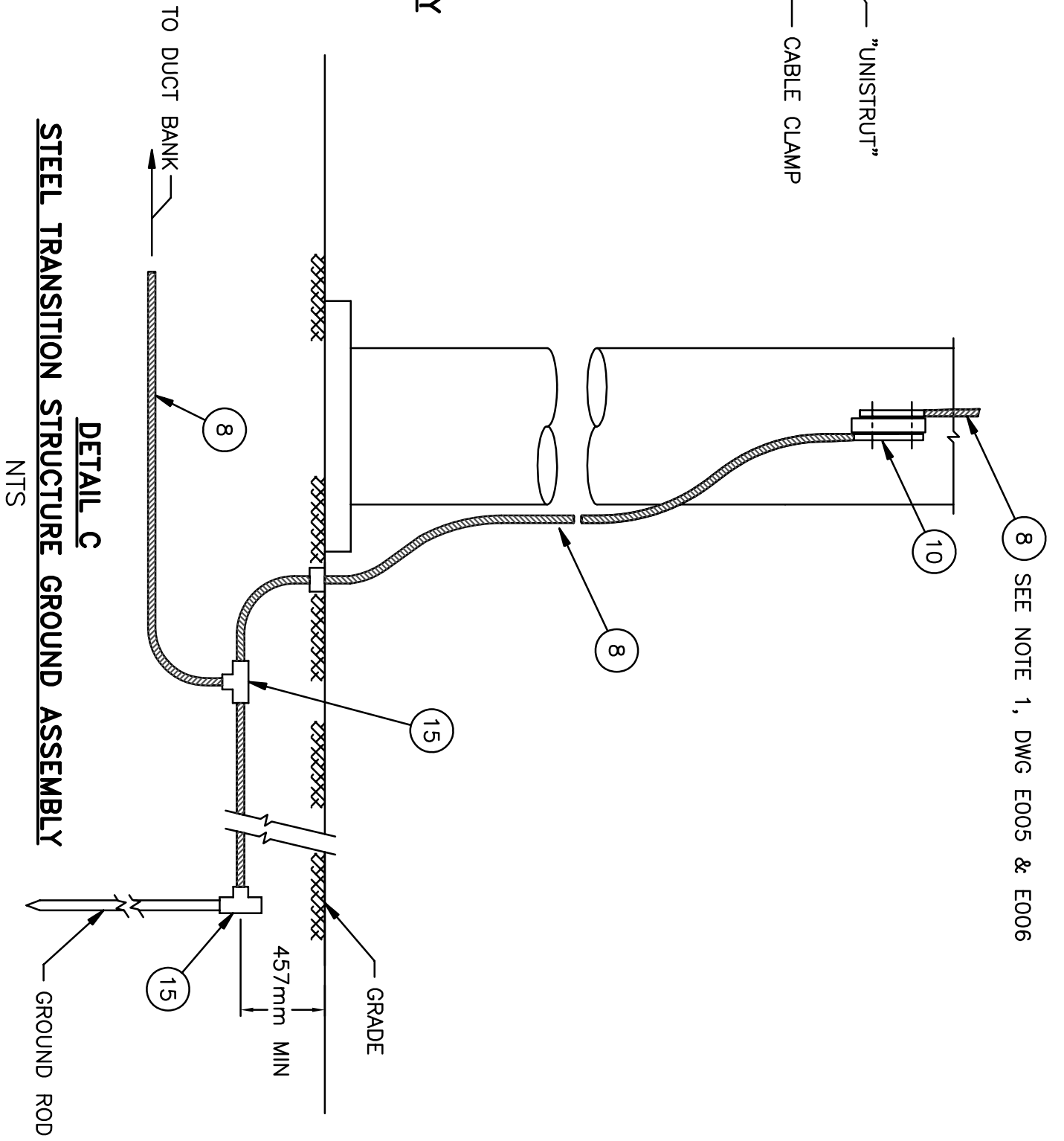


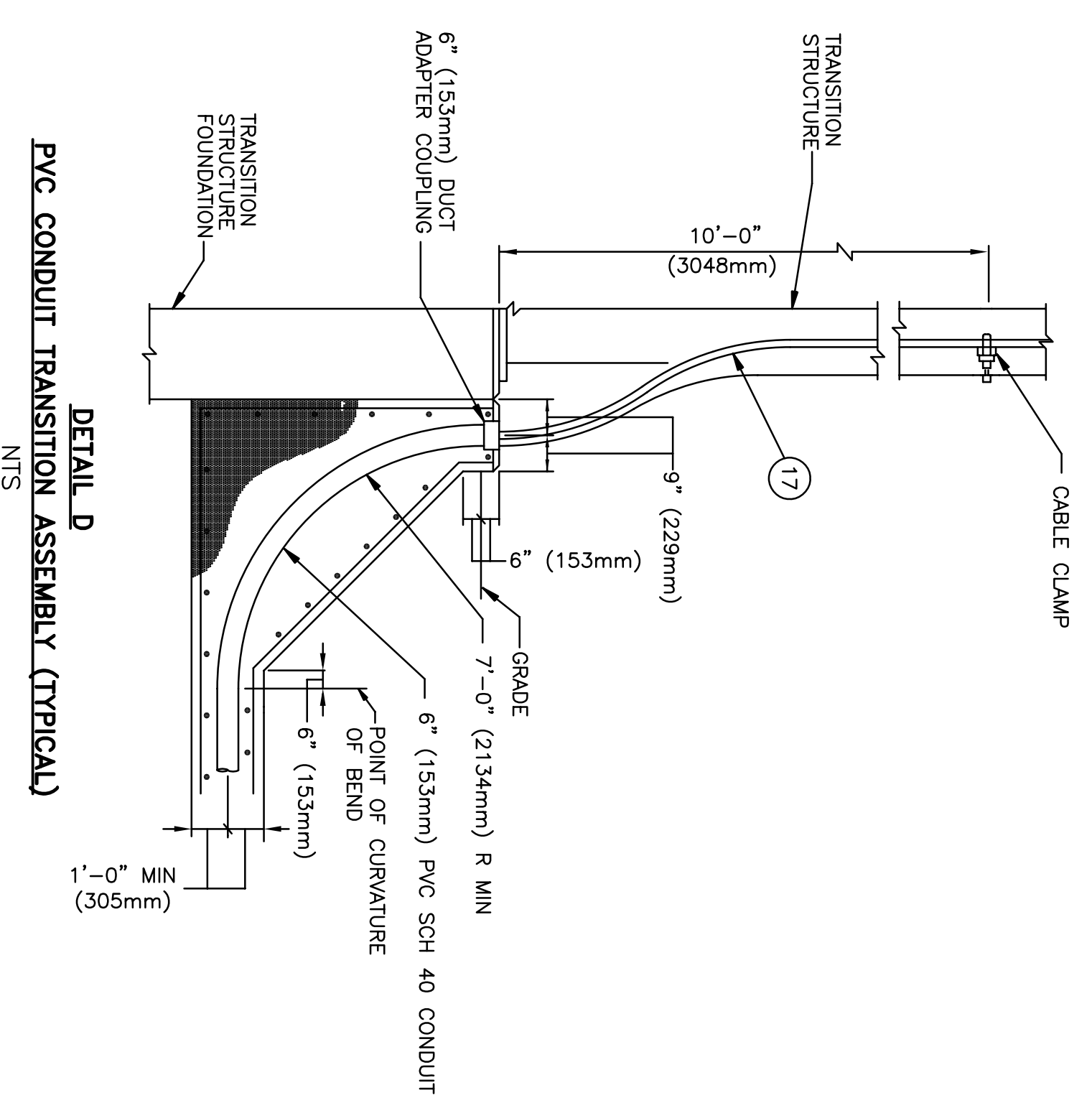
DETAIL A
 TERMINATOR/ARRESTER GROUNDING
 NTS



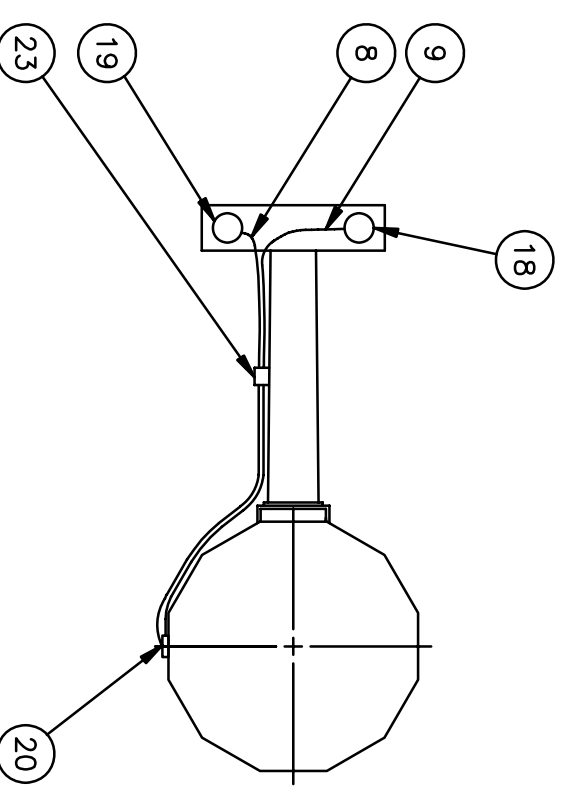
DETAIL B
 TYPICAL CABLE SUPPORT ASSEMBLY
 NTS



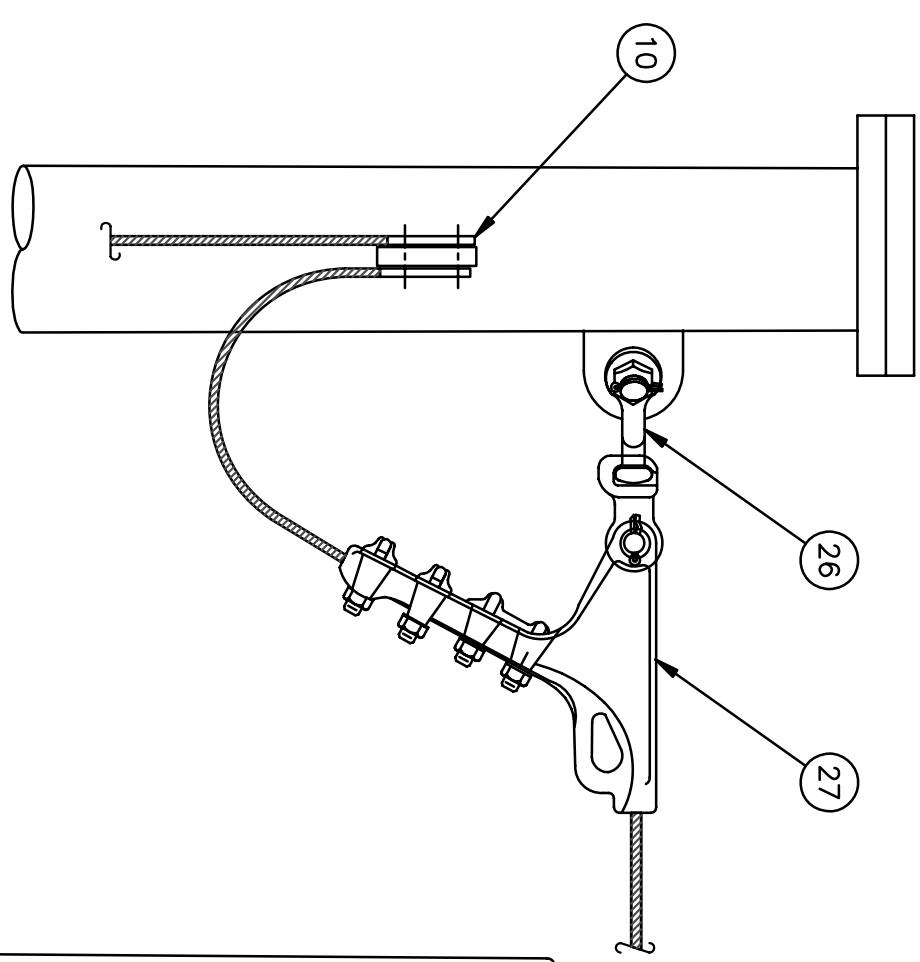
DETAIL C
 STEEL TRANSITION STRUCTURE GROUND ASSEMBLY
 NTS



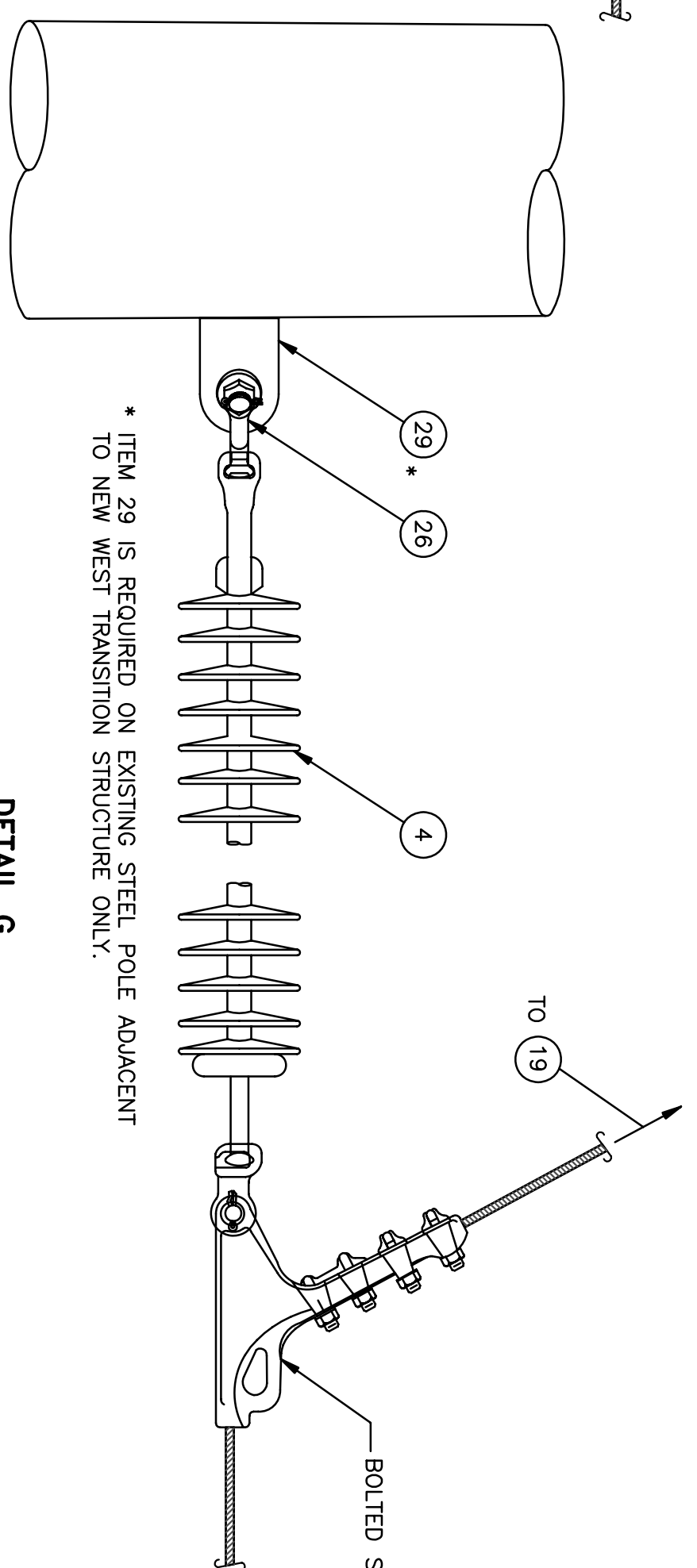
DETAIL D
 PVC CONDUIT TRANSITION ASSEMBLY (TYPICAL)
 NTS



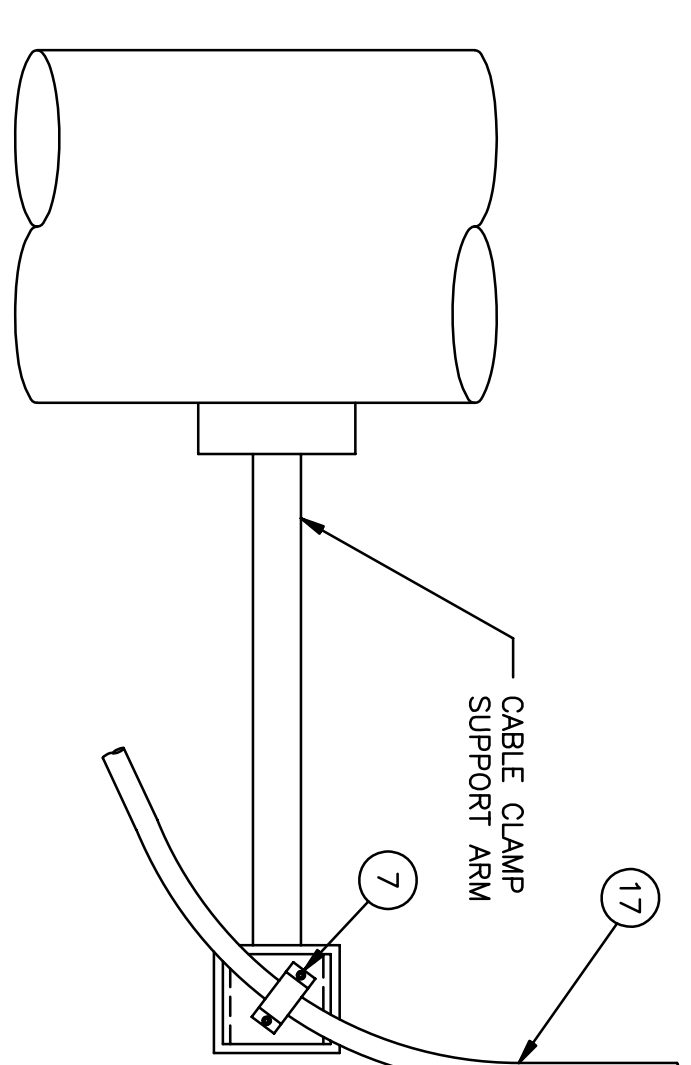
DETAIL E
 SURGE ARRESTER AND CABLE TERMINATOR
 GROUND DETAIL
 NTS



DETAIL F
 SHIELD WIRE DEADEND
 NTS



DETAIL G
 OVERHEAD CONDUCTOR DEADEND
 NTS



DETAIL H
 CABLE CLAMP SUPPORT ARM
 NTS

KDOT PROJ. NO. 54-87 K-8258-01

Sheet No. 153 of 556

APPROVED FOR CONSTRUCTION

NO	DATE	REVISIONS AND RECORD OF ISSUE	ISSUED FOR CONSTRUCTION	95% REVIEW ISSUE	03/01/06	1
0	01/31/05	REVISIONS AND RECORD OF ISSUE	95% REVIEW ISSUE	01/31/05	0	

I HEREBY CERTIFY THAT THIS DOCUMENT WAS PREPARED BY ME OR UNDER MY DIRECT SUPERVISION AND I AM A LICENSED PROFESSIONAL ENGINEER UNDER THE LAWS OF THE STATE OF KANSAS.

NAME: KDKM/FURFLR
 TITLE: MRL/KM/FURFLR
 SIGNATURE: [Signature]
 DATE: [Date]

BLACK & VEATCH

ENGINEER: [Name]
 CHECKED: [Name]

WESTAR ENERGY COMPANY
 US HIGHWAY 54/KELLOGG AVENUE PROJECT
 69kV UNDERGROUND TRANSMISSION LINE
 TRANSITION STRUCTURE INSTALLATION DETAILS

PROJECT: 136462-WSTR-E007
 DRAWING NUMBER: [Number]
 REV: 1