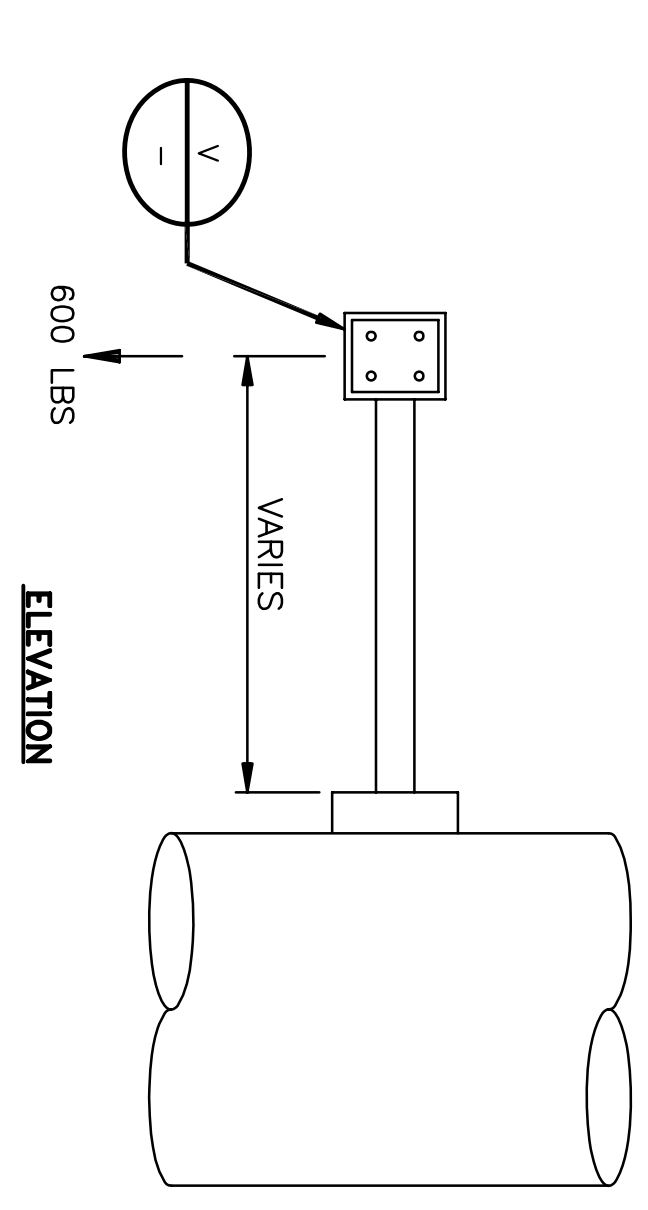
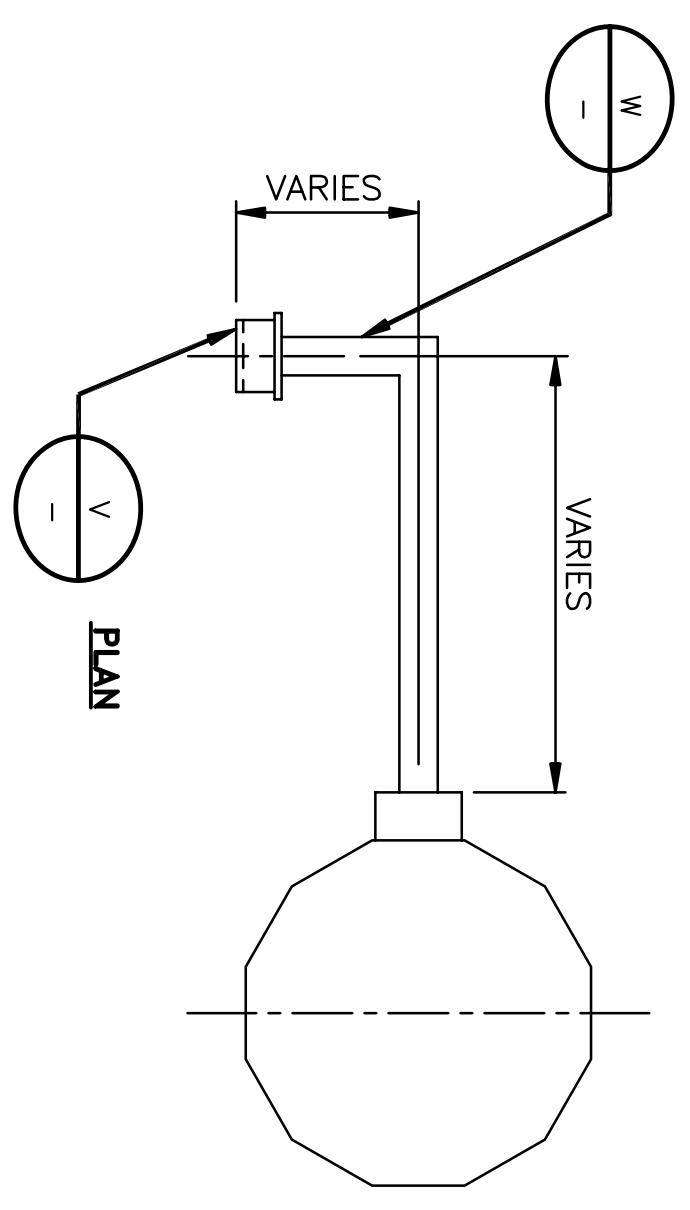
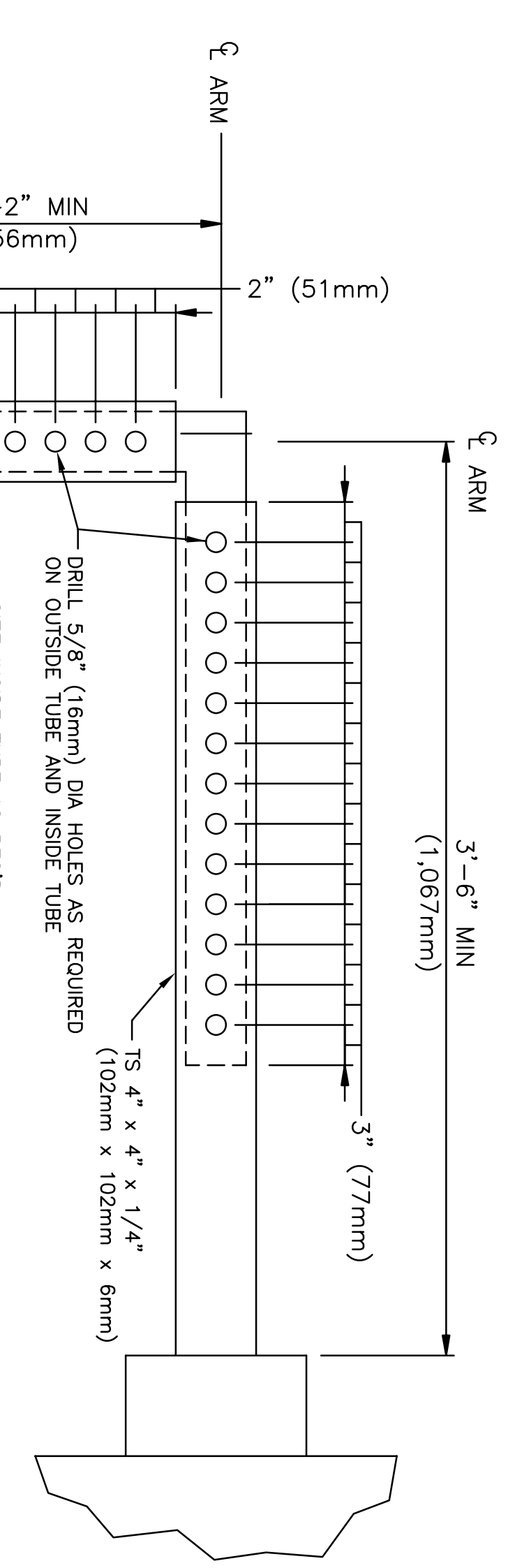


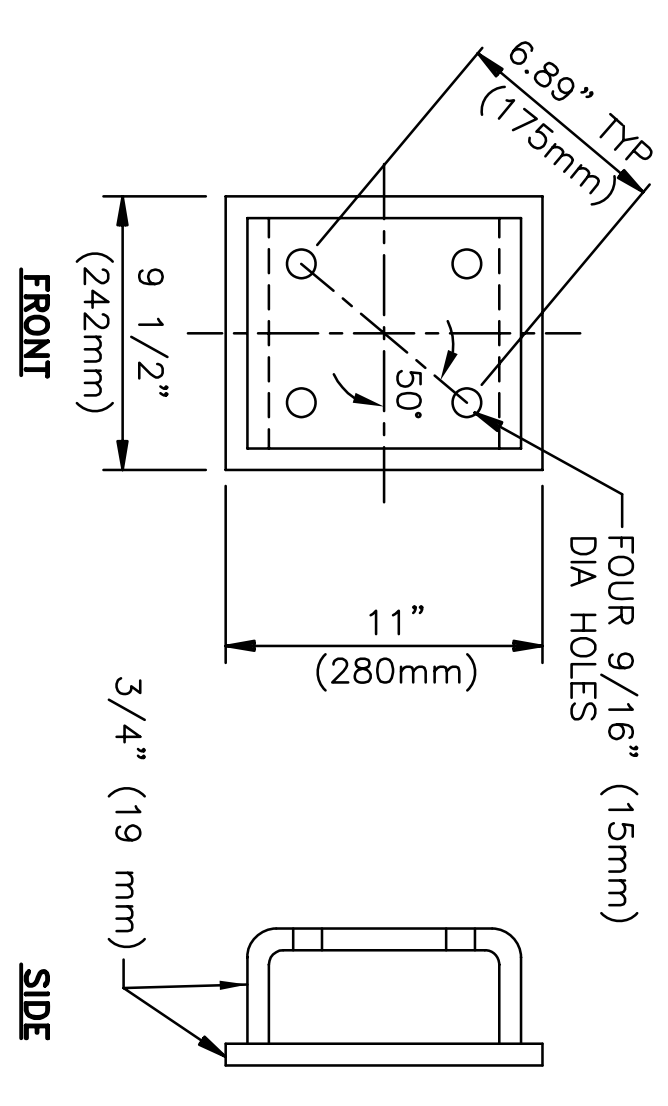
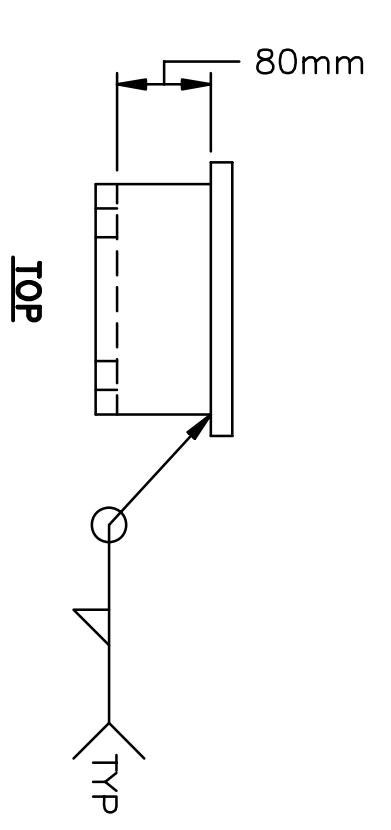
1 2 3 4 5 6 7 8 9 10



**DETAIL U**  
CABLE CLAMP SUPPORT ARM  
NTS



**DETAIL W**  
CABLE CLAMP SUPPORT ARM  
ADJUSTABLE ARM DETAIL  
NTS



**DETAIL V**  
CABLE CLAMP SUPPORT ARM  
MOUNTING PLATE  
NTS

JON06867 ACAD 15.06s (LMS Tech)  
A1ASN009 P1 1=1  
01/28/05 09:06:54

NO.	DATE	REVISIONS AND RECORD OF ISSUE	PREPARED BY	CHECKED	DATE	REG. NO.	DATE
1	03/01/06	ISSUED FOR CONSTRUCTION	KDKW9FLR/LR				
0	01/31/05	95% REVIEW ISSUE	MRNTHFLR/LR				

**KDOT PROJ. NO. 54-87 K-8258-01**  
**Sheet No. 160 of 556**

**APPROVED FOR CONSTRUCTION**

BLACK & VEATCH	WESTAR ENERGY COMPANY	PROJECT	REV
ENGINEER	US HIGHWAY 54/KELLOGG AVENUE PROJECT	136462-WSTR-P007	1
DRAWN	69KV UNDERGROUND CABLE PROJECT		
DATE	TRANSITION STRUCTURE DETAILS		