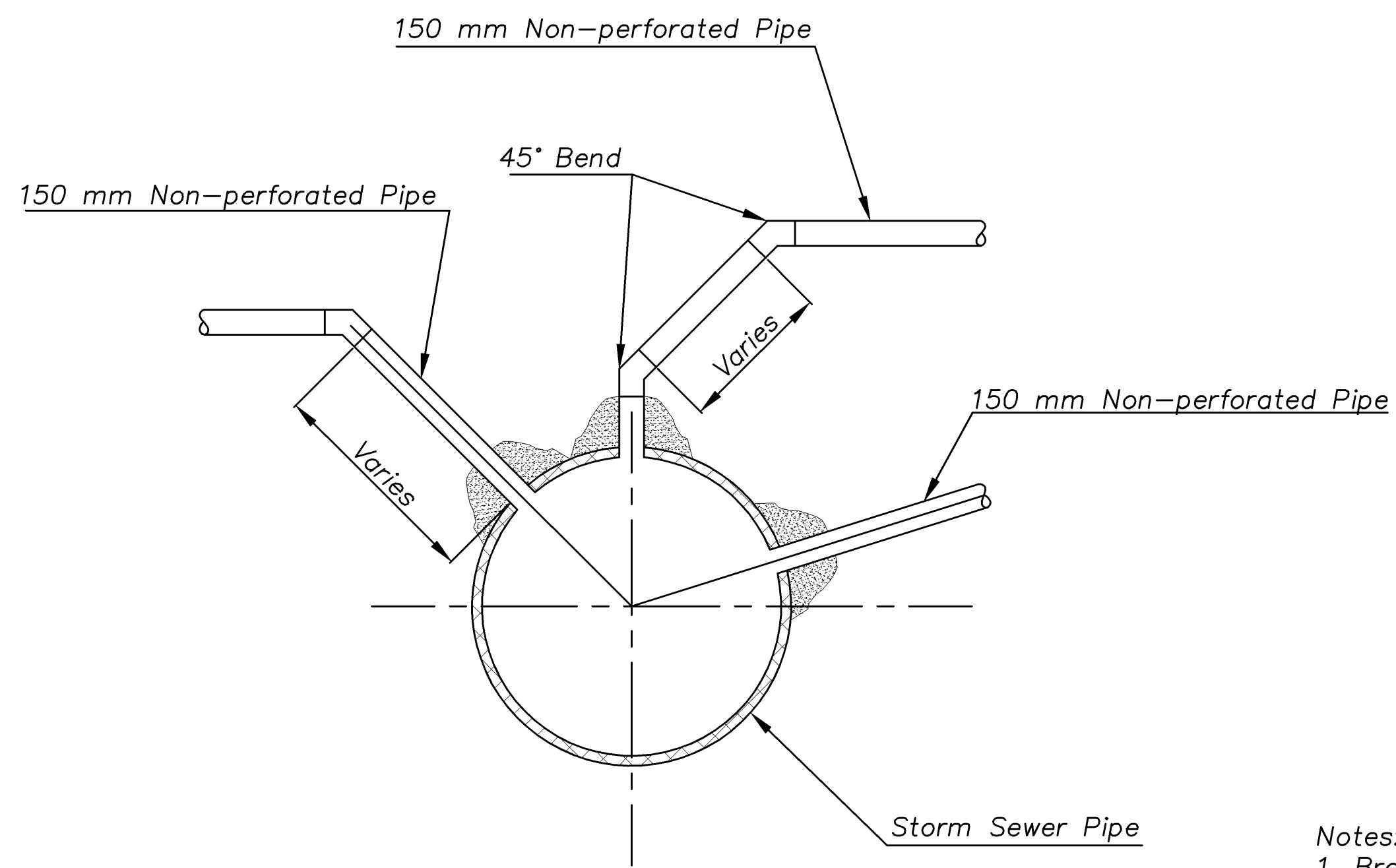
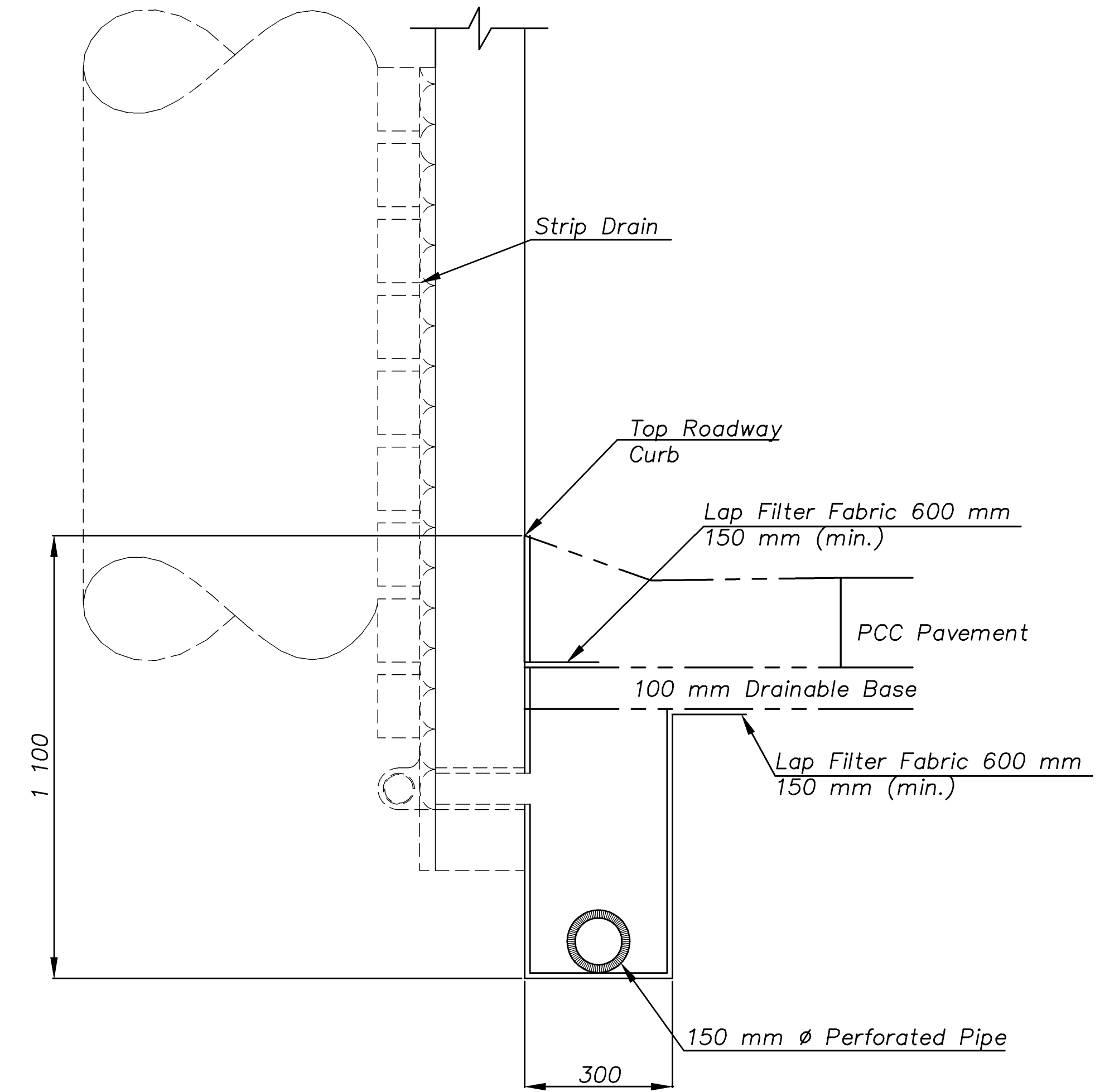


STATE	PROJECT NO.	YEAR	SHEET NO.	TOTAL SHEETS
KANSAS	54-87 K-8258-01	2007	167	556

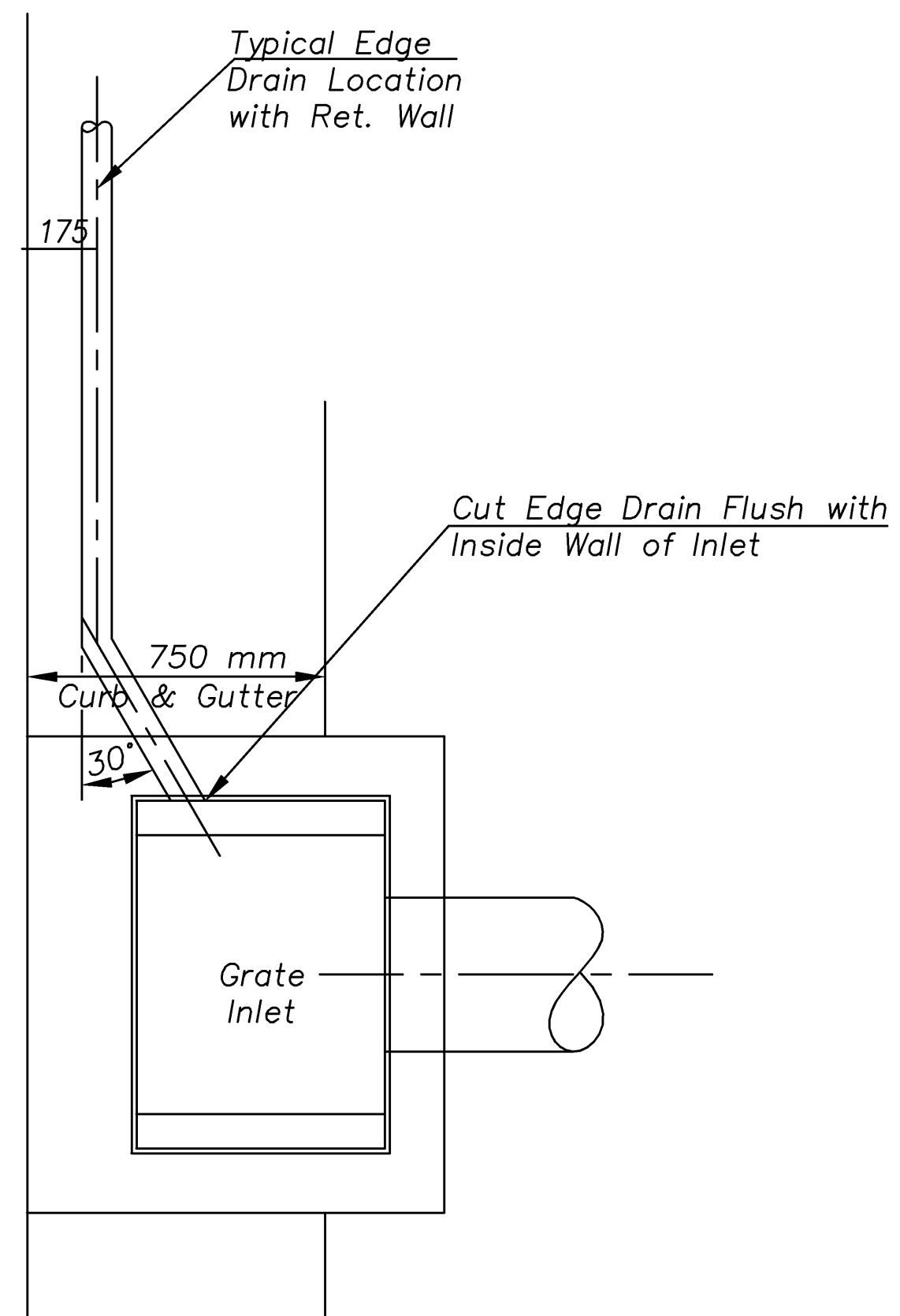


- Notes:
1. Breakout inlets as required to make connection.
 2. Encase connection with Class A concrete or use suitable fitting as approved by Engineer.
 3. Standard fittings such as tees, wyes, elbows, risers, and others shall be used where required. They shall be attached by bolted or sleeve type couplings. No Seperate Payment shall be made for these items.

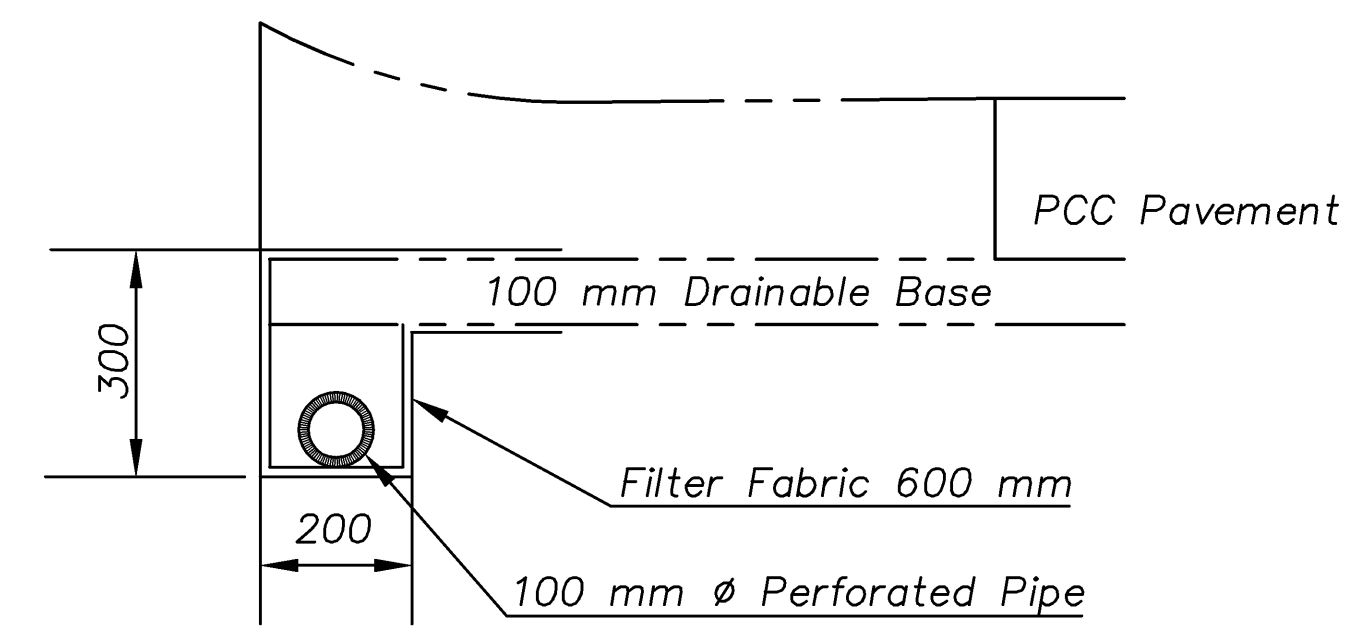
UNDERDRAIN CONNECTIONS TO STORM SEWER



EDGE DRAIN IN FRONT OF SOLDIER PILE AND PROPRIETARY WALL



TYPICAL EDGE DRAIN OUTLET AT INLETS



EDGE DRAIN IN FRONT OF CANTILEVER RETAINING WALL

DATE	
BY	
REFERENCE NOTED	
REFERENCE CHECKED	

Drawn by: SCALE
 Plotted: