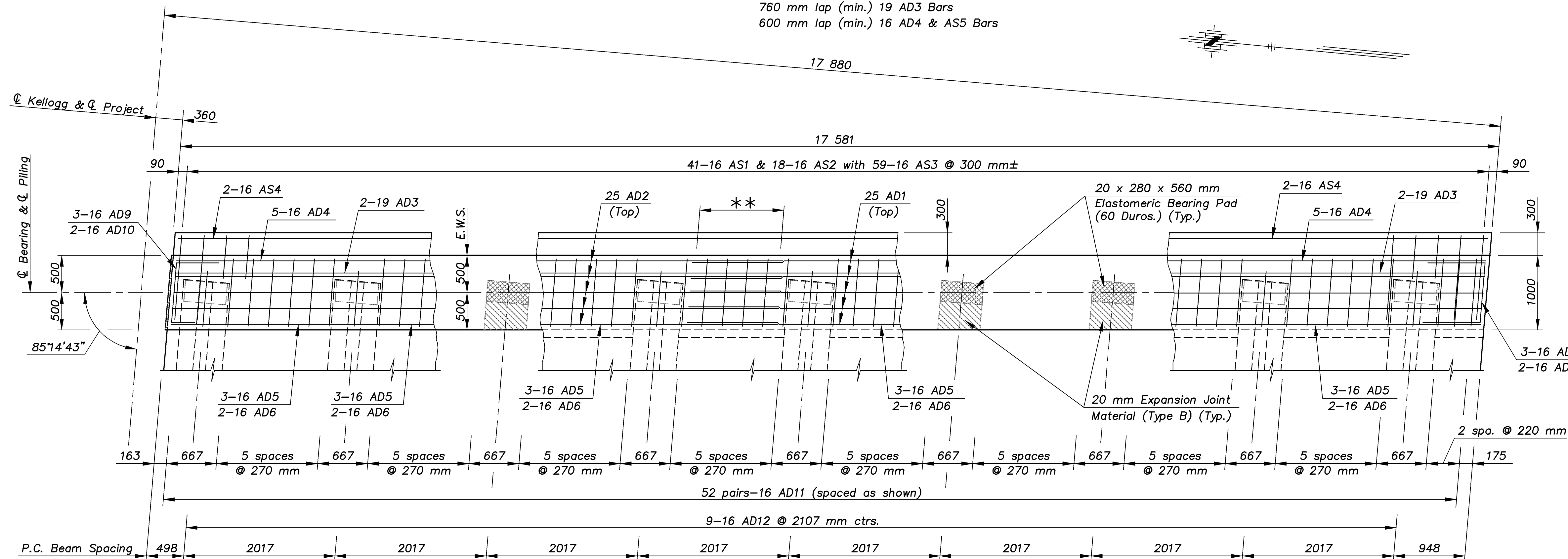


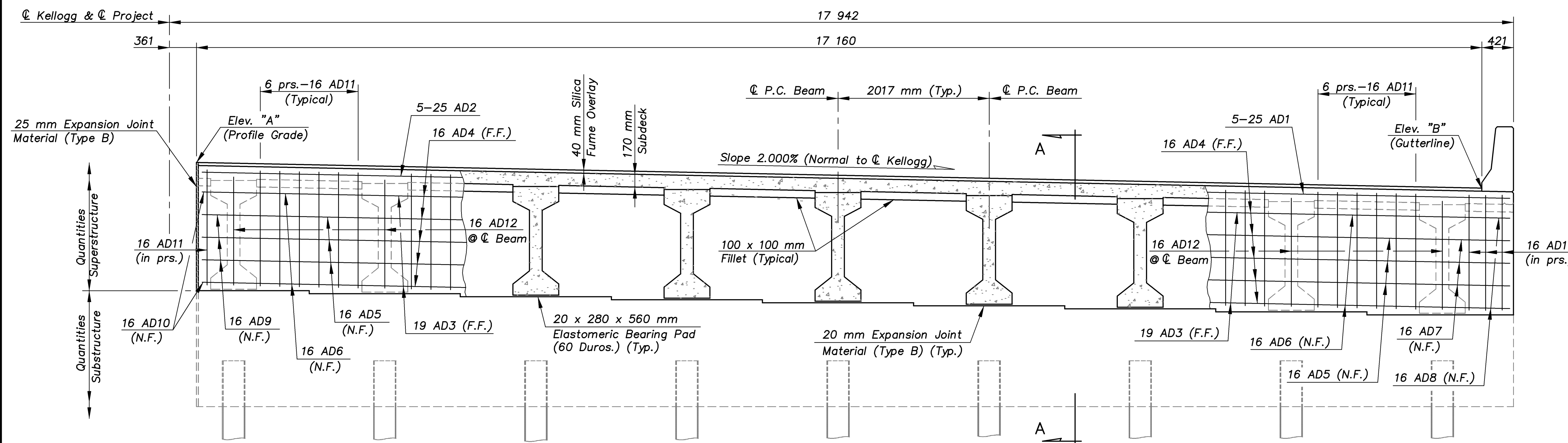
** 1680 mm lap (min.) 25 AD1 & AD2 Bars
 760 mm lap (min.) 19 AD3 Bars
 600 mm lap (min.) 16 AD4 & AS5 Bars

E.F. INDICATES EACH FACE.
 N.F. INDICATES NEAR FACE.
 F.F. INDICATES FAR FACE.

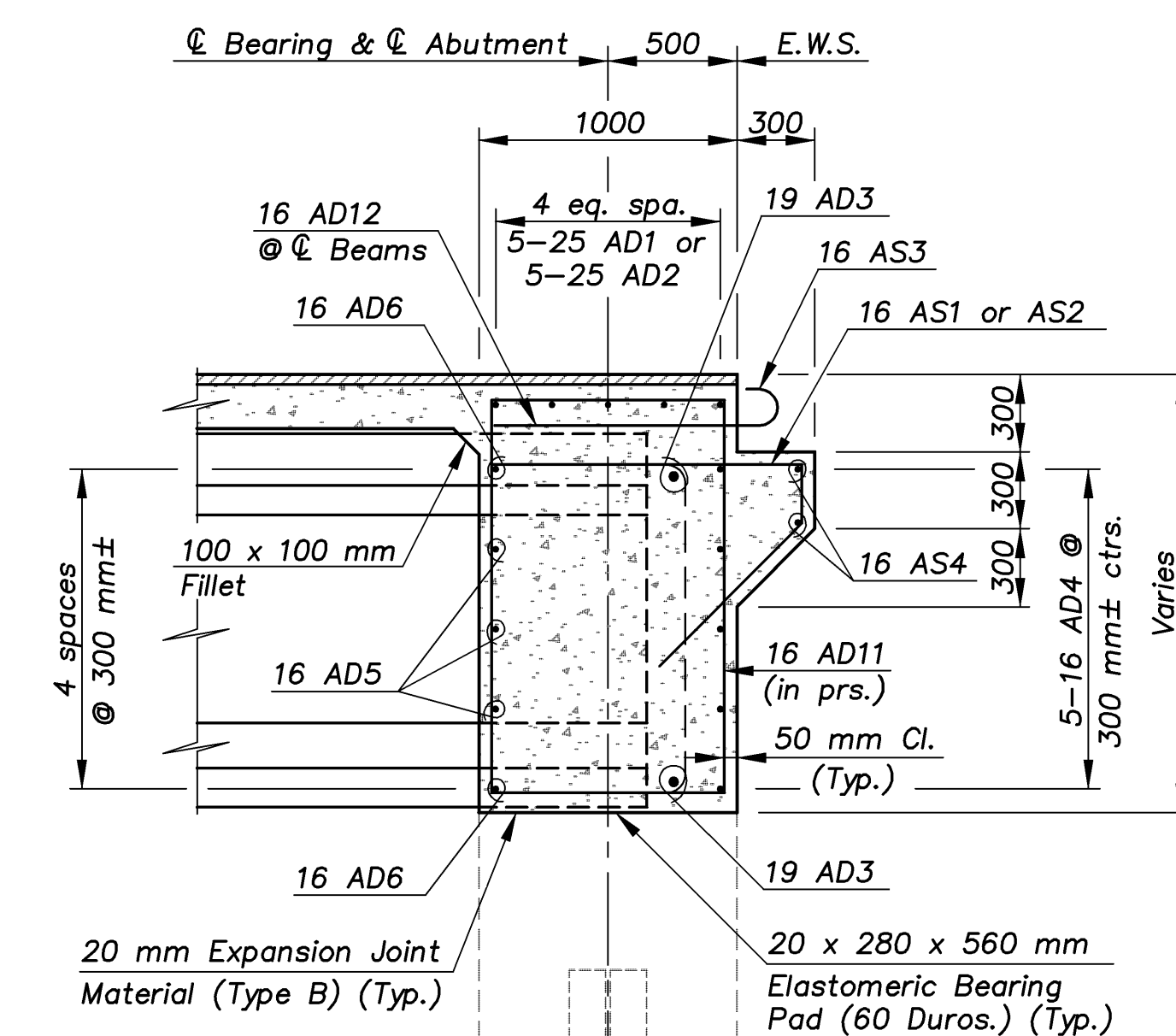
STATE	PROJECT NO.	YEAR	SHEET NO.	TOTAL SHEETS
KANSAS	54-87 K-8258-01	2007	190	556



PLAN OF ABUTMENT DIAPHRAGM



ELEVATION OF ABUTMENT DIAPHRAGM



SECTION A-A

Location	Elev. "A"	Elev. "B"
Abutment No. 1	416.592	416.236
Abutment No. 2	415.987	415.625

* Elevations shown are at Centerline of Abutment.

1:100
 ARMOUR/ABUTMENT

KANSAS DEPARTMENT OF TRANSPORTATION
 BR. NO. 54-87-30.82(701) E.B. STA. 3+378.725

ABUTMENT DIAPHRAGM DETAILS
 KELLOGG AVENUE OVER ARMOUR ROAD

Proj. No. 54-87 K-8258-01 SEDGWICK COUNTY



Cook, Flatt & Strobel
 ENGINEERS, P. A.

DESIGNED	R.S.C.	SCALE	Varies
DETAILED	T.R.G.	DATE	
QUANTITIES	T.R.G.	SHEET	10 OF 39