

E.F. INDICATES EACH FACE.
 N.F. INDICATES NEAR FACE.
 F.F. INDICATES FAR FACE.

STATE	PROJECT NO.	YEAR	SHEET NO.	TOTAL SHEETS
KANSAS	54-87 K-8258-01	2007	191	556

GENERAL NOTES

ABUTMENT STRIP DRAIN: The Bridge Contractor shall excavate to the limits shown on the plans, grade the bottom of the backfill area, place the abutment strip drain, and place the perforated pipe and the backfill.

BRIDGE BACKWALL PROTECTION SYSTEM: Apply a Bridge Backwall Protection System to the approach side of the abutments in accordance with KDOT Specifications and manufacturers recommendations. Cover the abutments to the limits shown on the details. Prior to the backfilling, repair any damage done to the system at no charge to the State.

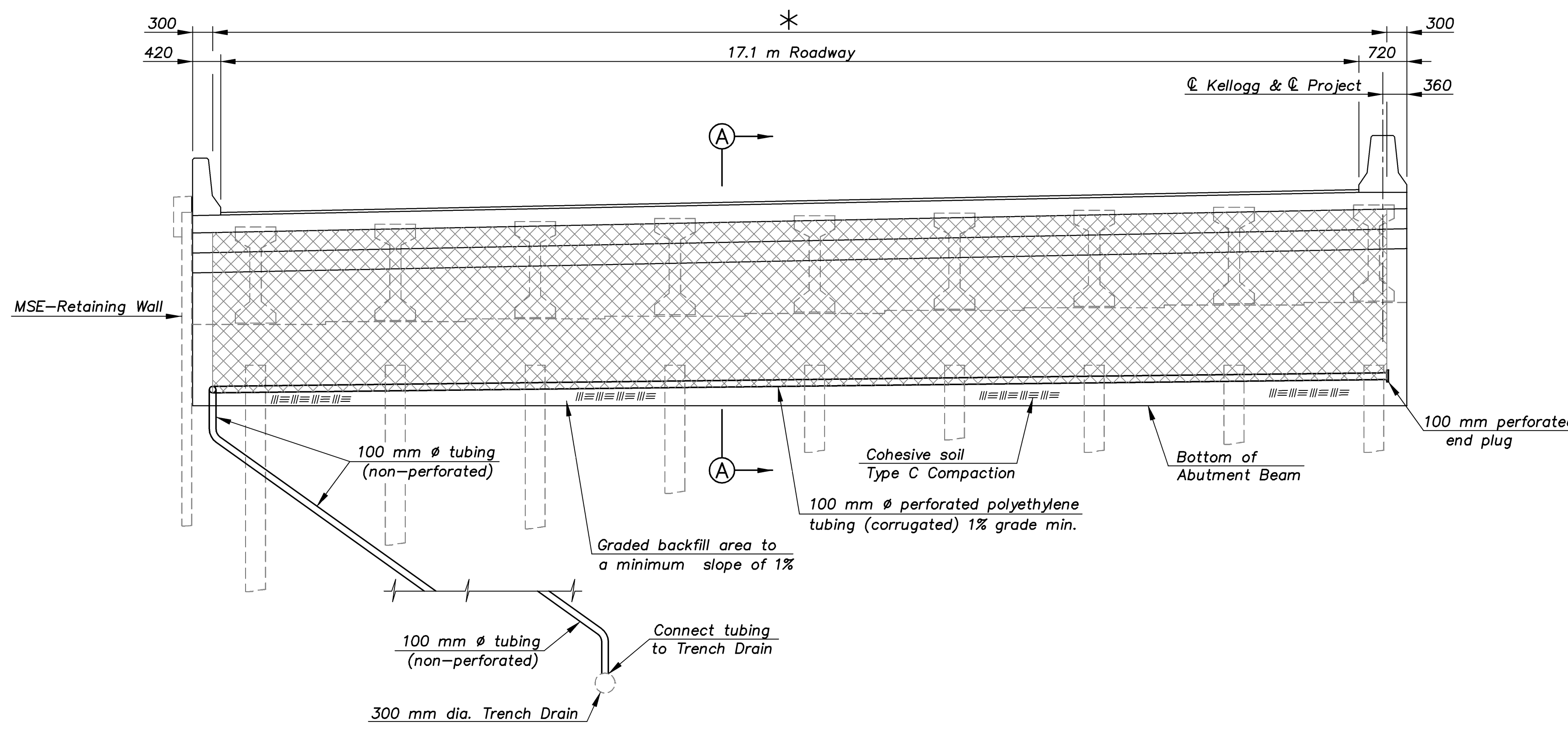
Place the Perforated pipe next to the strip drain. Care shall be taken to enclose the perforated pipe with the extension of the filter fabric.

Compact the abutment fill. See KDOT Specifications.

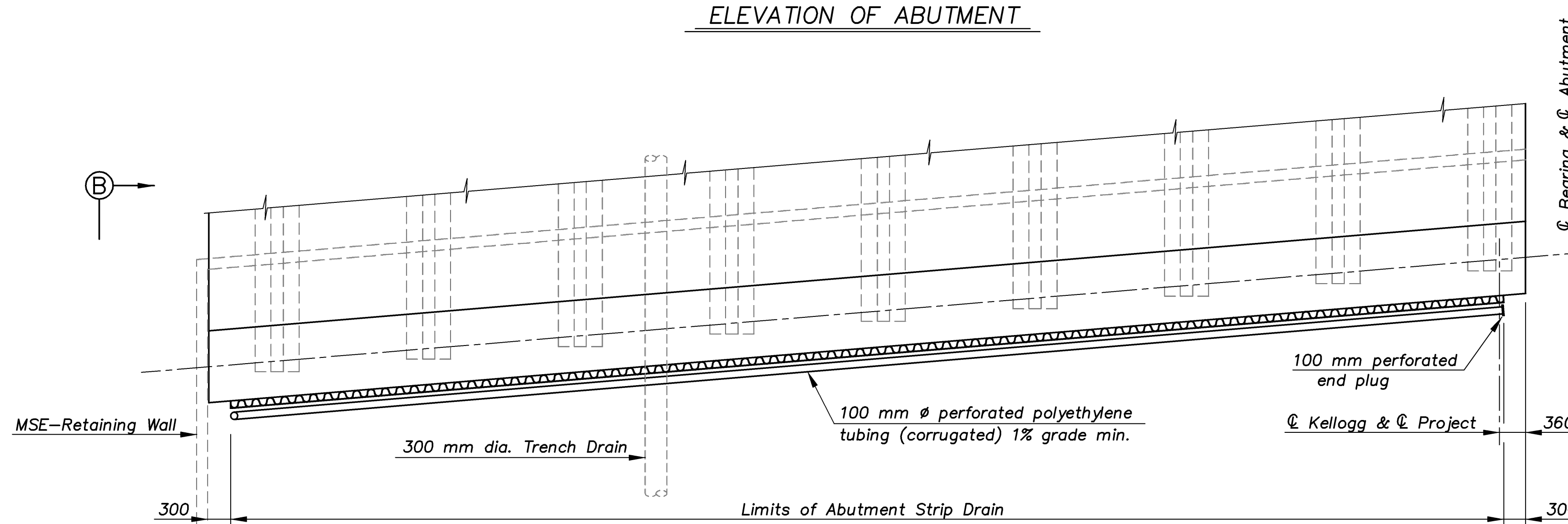
The Abutment Strip Drain material shall meet the requirements of KDOT Specifications.

Perforated pipe shall be corrugated polyethylene tubing and shall meet the requirements of the KDOT Specifications.

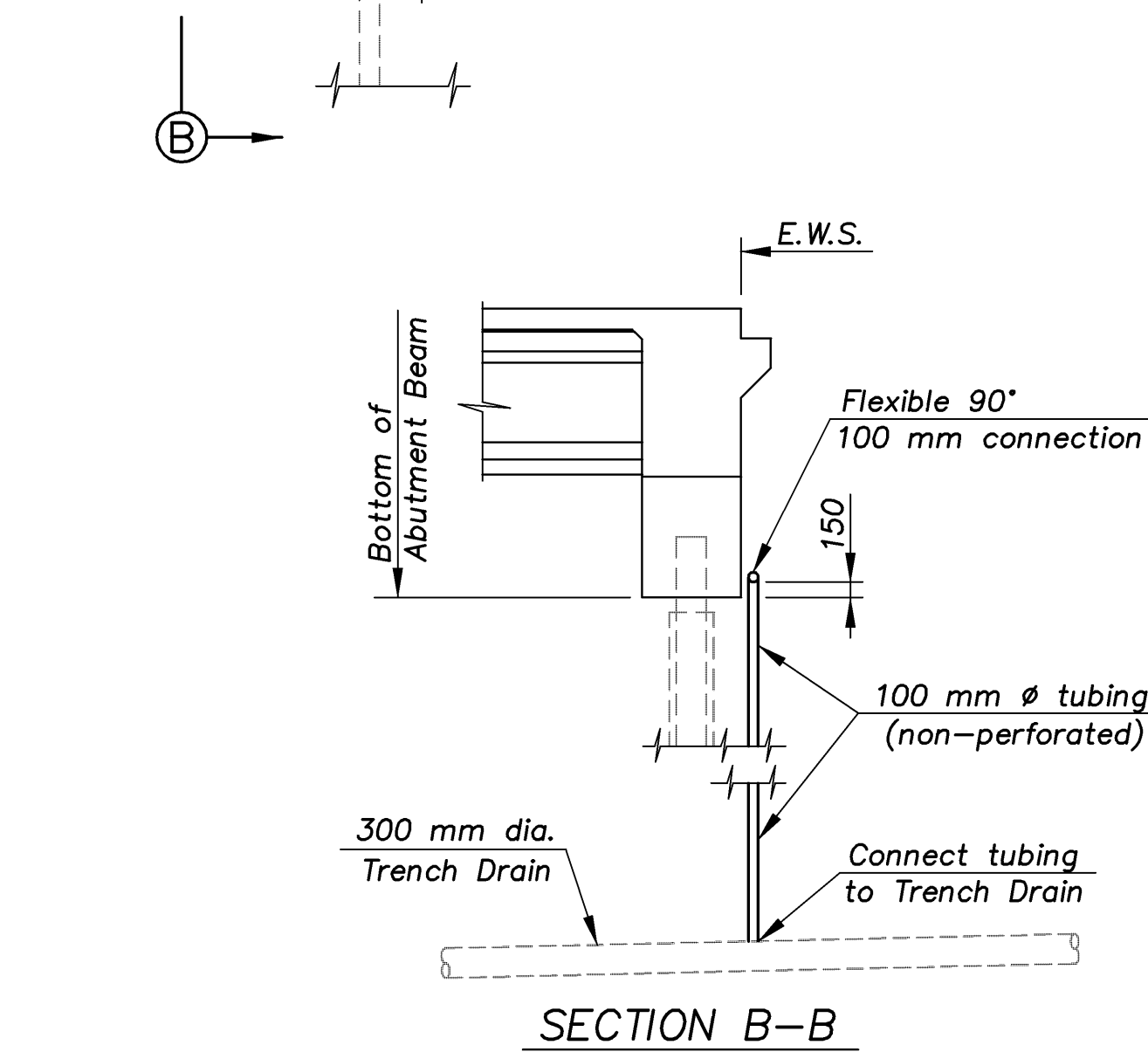
Grade the bottom surface of the excavated area to drain. Backfill this area with a cohesive type soil. The soil should be a silty clay or clay under the Kansas Classification System with a minimum plasticity index of 20. Compact the material to Type C standards.



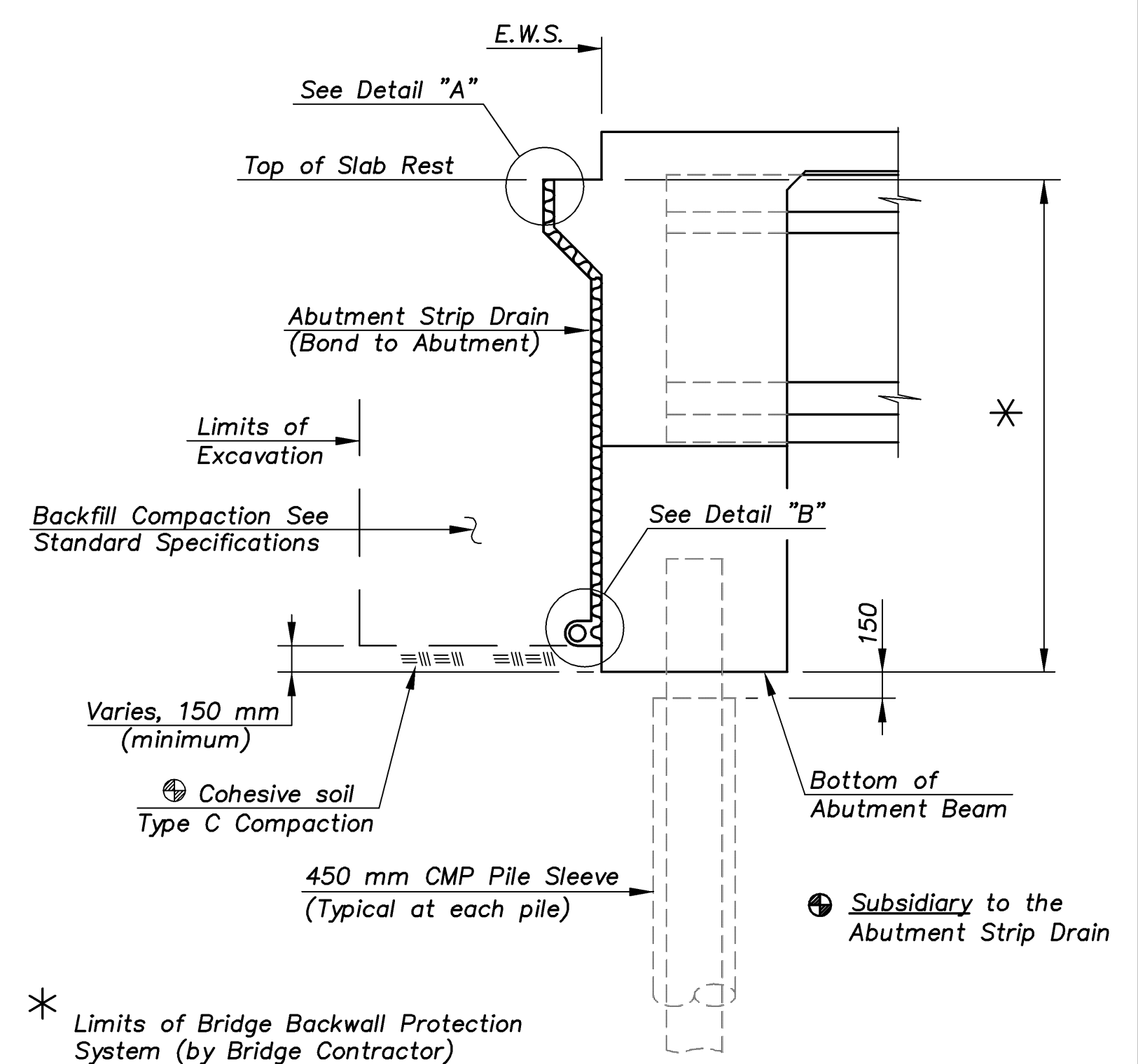
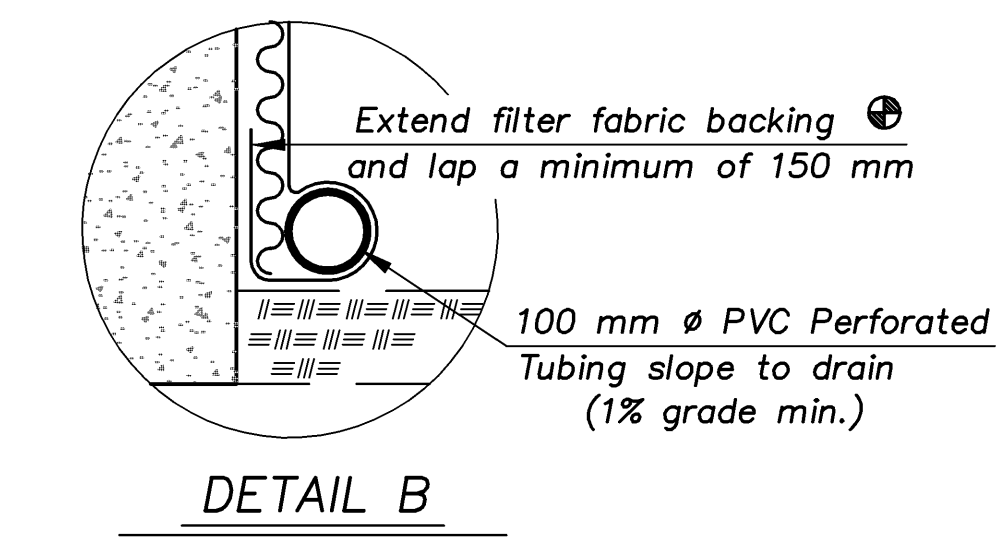
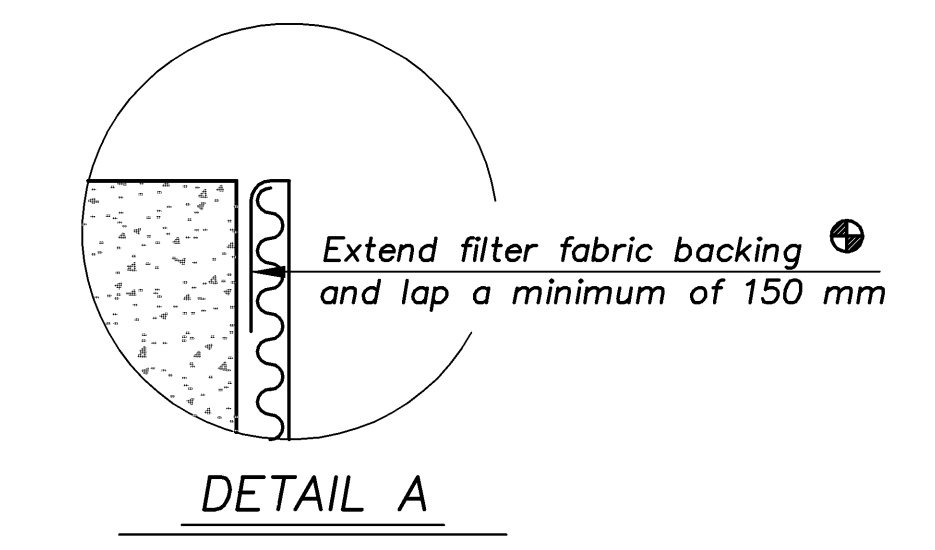
ELEVATION OF ABUTMENT



PLAN VIEW OF ABUTMENT
 (Abutment No. 1 shown, Abutment No. 2 similar)



SECTION B-B



SECTION A-A

SUMMARY OF QUANTITIES		
Items	Abutment No. 1	Abutment No. 2
ABUTMENT STRIP DRAIN	47.4 m ²	47.1 m ²
BRIDGE BACKWALL PROTECTION SYSTEM	51.6 m ²	51.3 m ²
Items Subsidiary to Strip Drain		
100 mm Ø PERFORATED PIPE	17.7 m	17.7 m
100 mm Ø NON-PERFORATED PIPE	8.8 m	8.5 m

KANSAS DEPARTMENT OF TRANSPORTATION
 BR. NO. 54-87-30.81(700) W.B. STA. 3+378.725

ABUTMENT STRIP DRAIN
 KELLOGG AVENUE OVER ARMOUR ROAD

Proj. No. 54-87 K-8258-01 SEDGWICK COUNTY

CFS
 Cook, Flatt & Strobel
 ENGINEERS, P. A.

DESIGNED	R.S.C.	SCALE	Varies
DETAILED	T.R.G.	DATE	
QUANTITIES	T.R.G.	SHEET	11 OF 39

ARMOUR/ABUT-DRAIN 1:100