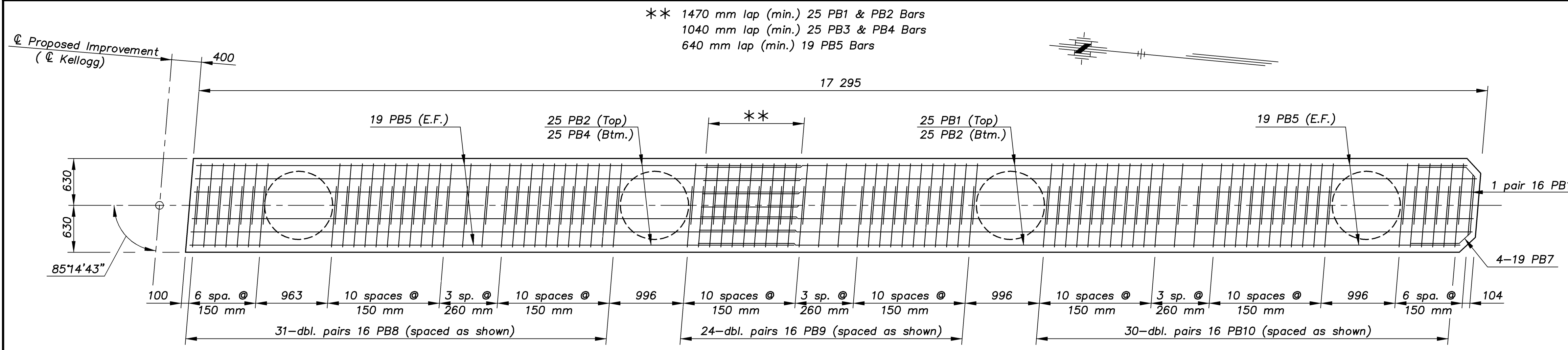
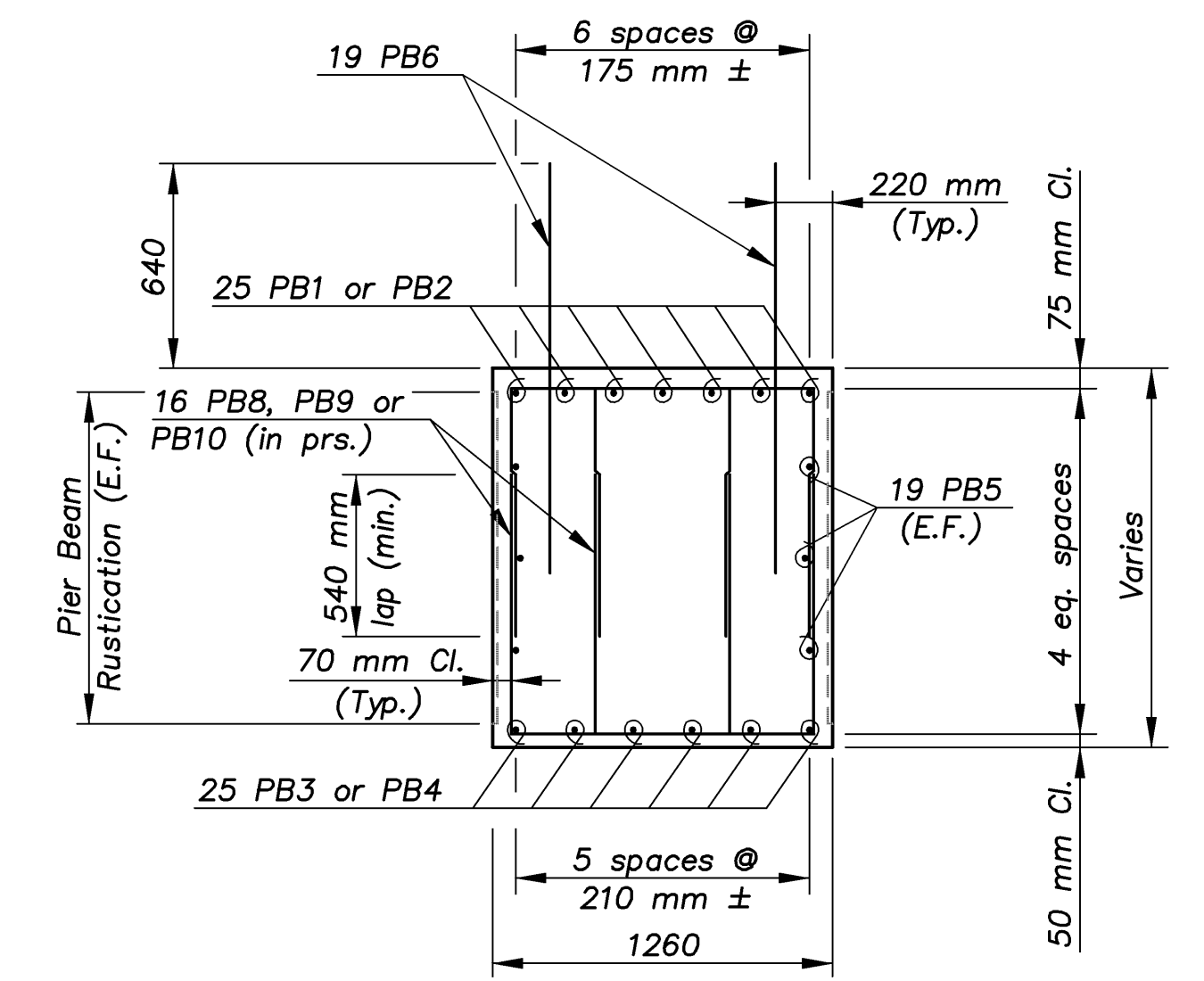


STATE	PROJECT NO.	YEAR	SHEET NO.	TOTAL SHEETS
KANSAS	54-87 K-8258-01	2007	196	556

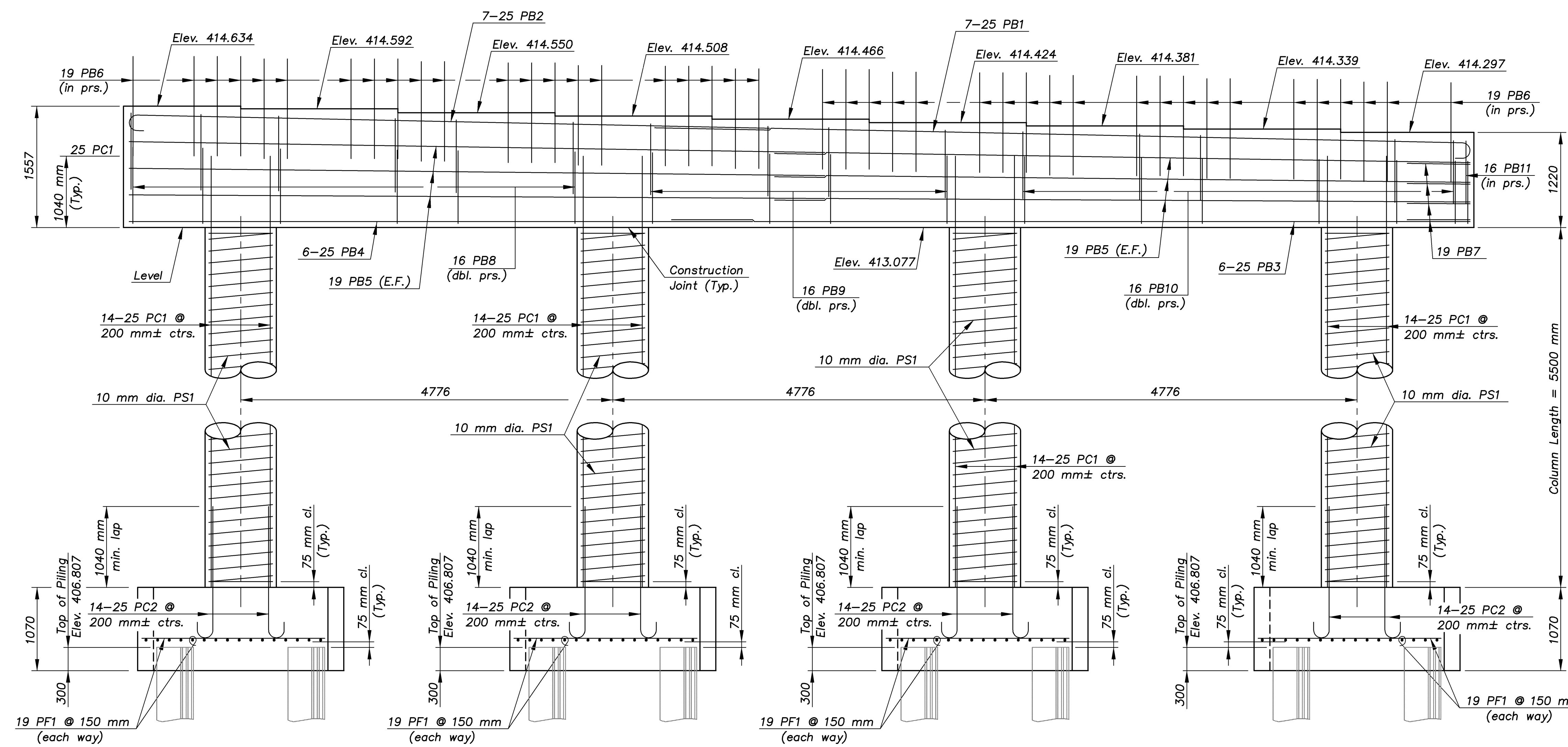
E.F. INDICATES EACH FACE.
N.F. INDICATES NEAR FACE.
F.F. INDICATES FAR FACE.



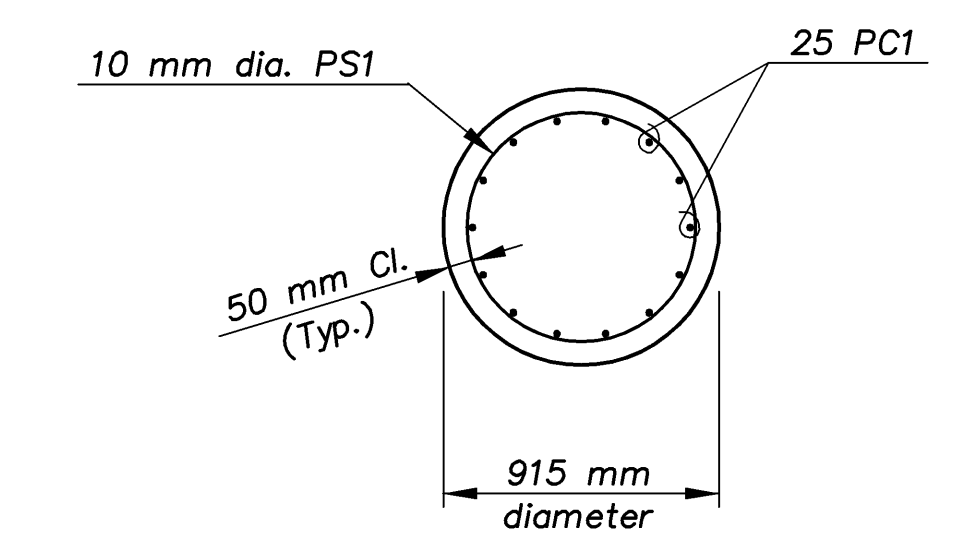
PLAN VIEW OF PIER BEAM REINFORCEMENT



TYPICAL SECTION THRU BEAM



ELEVATION VIEW OF PIER



TYPICAL SECTION THRU COLUMN

ARMOUR/PIER 1:100

KANSAS DEPARTMENT OF TRANSPORTATION		BR. NO. 54-87-30.81(701) E.B.		STA. 3+378.725	
PIER DETAILS					
KELLOGG AVENUE OVER ARMOUR ROAD					
DESIGNED R.S.C.		SCALE		Varies	
DETAILED T.R.G.		DATE			
Proj. No. 54-87 K-8258-01		SEDGWICK COUNTY		QUANTITIES T.R.G. SHEET 16 OF 39	

CFS
Cook, Flatt & Strobel
ENGINEERS, P. A.