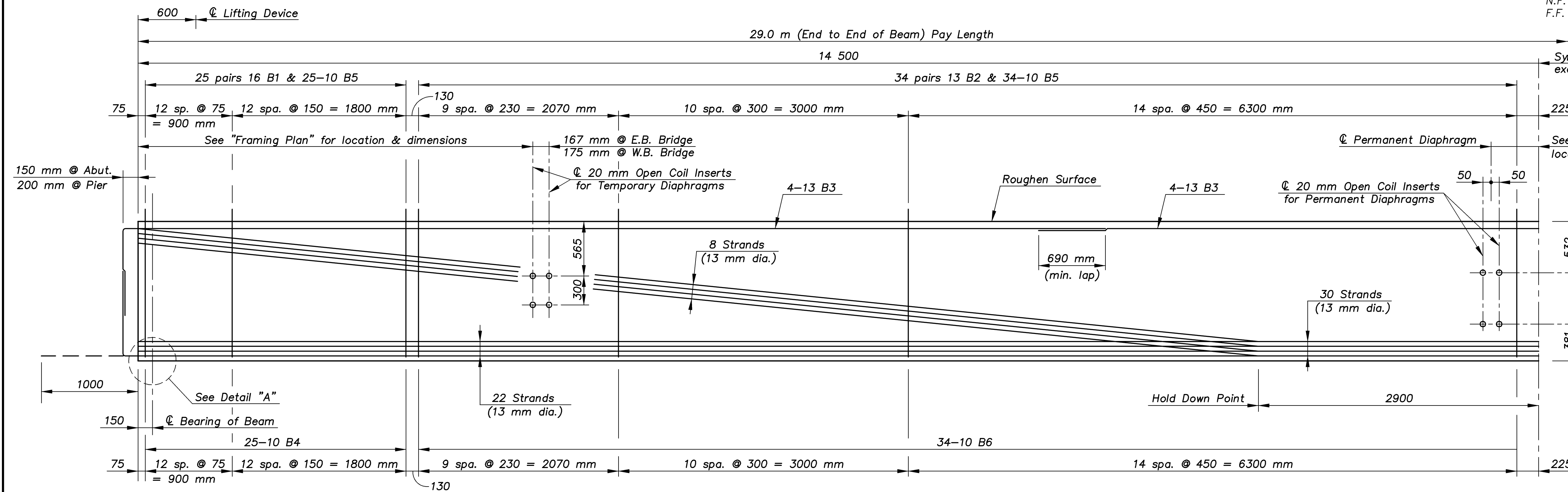


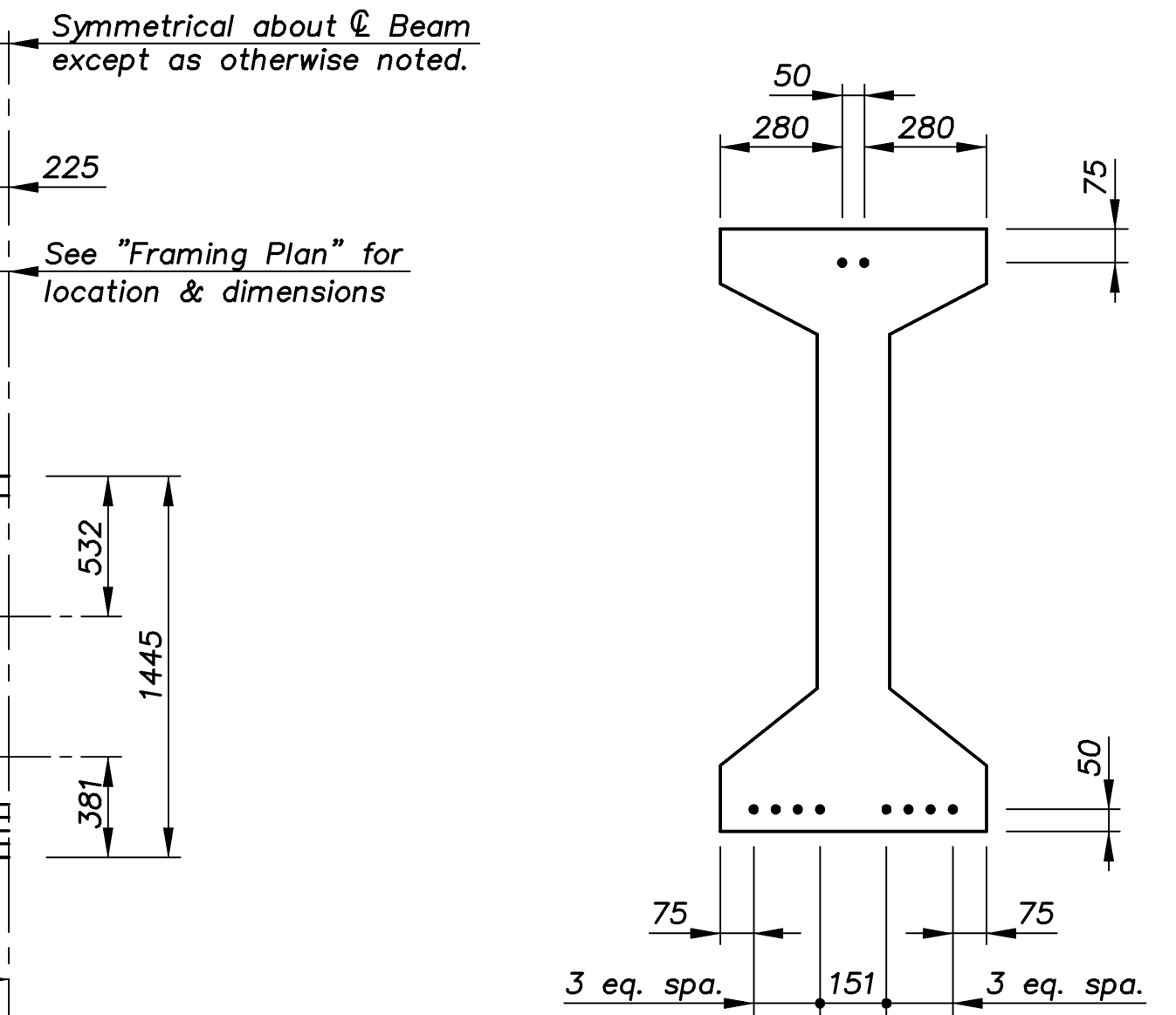
STATE	PROJECT NO.	YEAR	SHEET NO.	TOTAL SHEETS
KANSAS	54-87 K-8258-01	2007	201	556

E.F. INDICATES EACH FACE.  
N.F. INDICATES NEAR FACE.  
F.F. INDICATES FAR FACE.



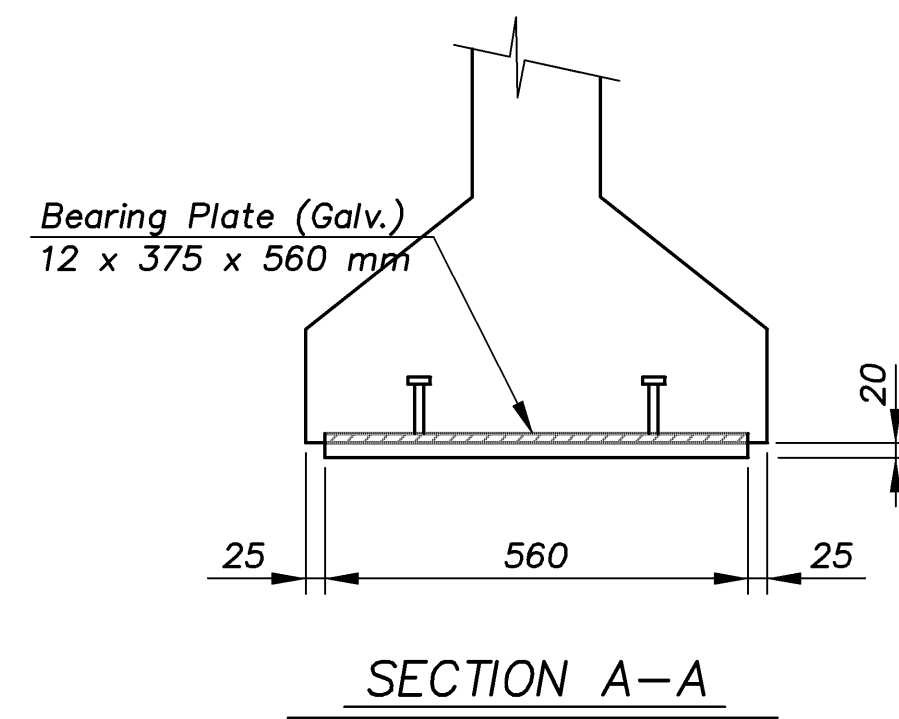
TYPICAL BEAM ELEVATION (K4+75 mm)

NOTE: Force per Strand (Vertical Uplift) = 13.85 kN  
Total Uplift for 8 Strands = 110.80 kN

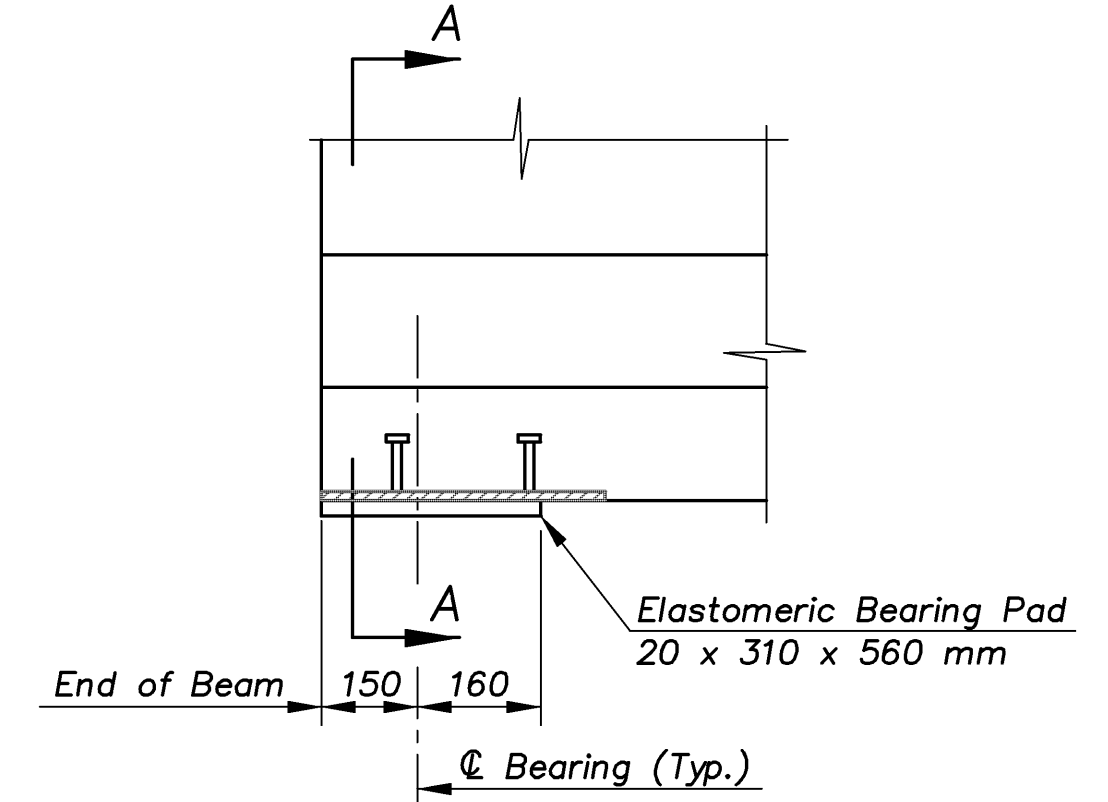


STRAND EXTENSION DETAIL

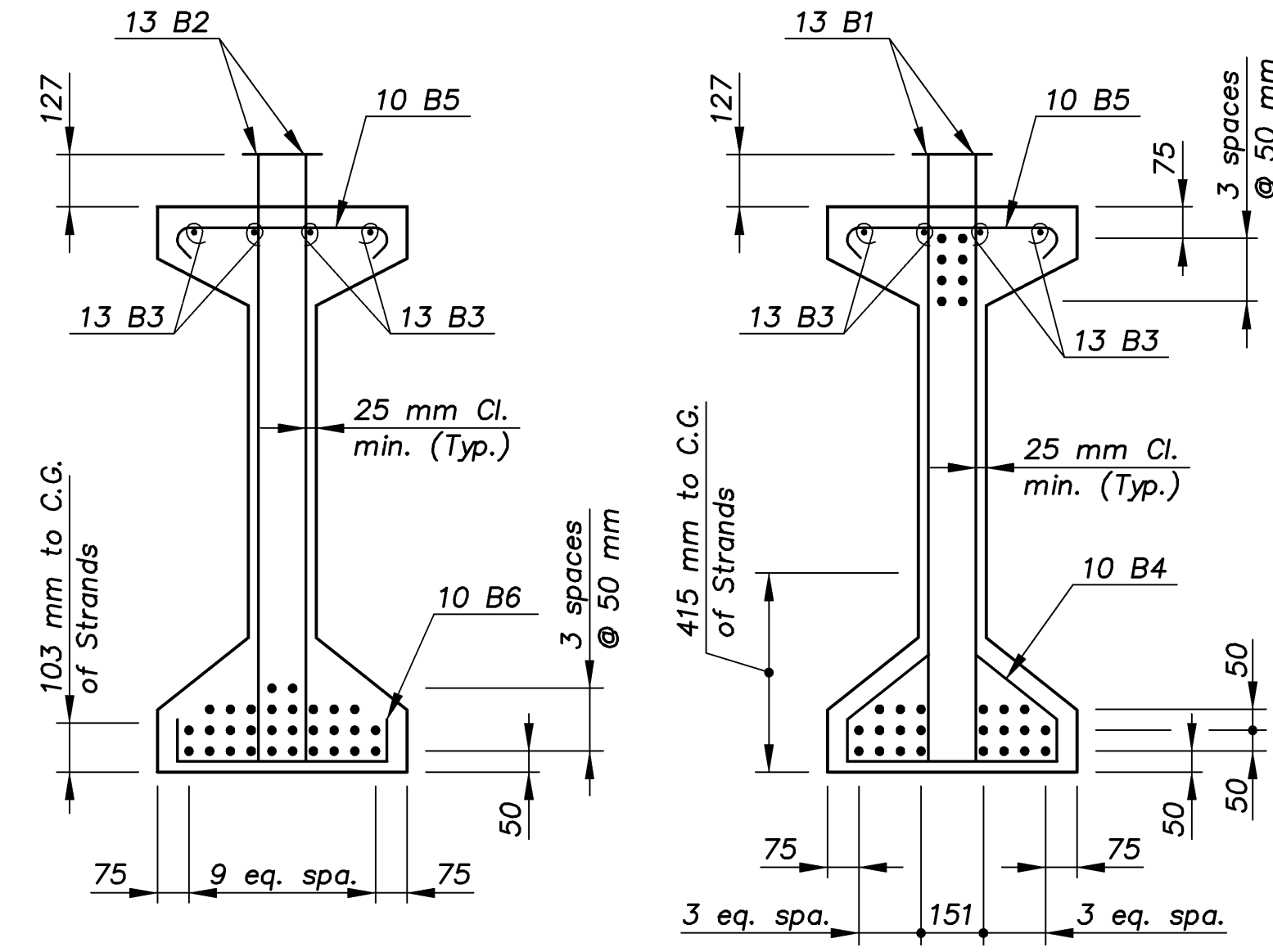
Extend 10 Strands beyond the ends of the Beams as shown. Strands not shown shall be cut flush with the ends of the Beams.



SECTION A-A



DETAIL "A"



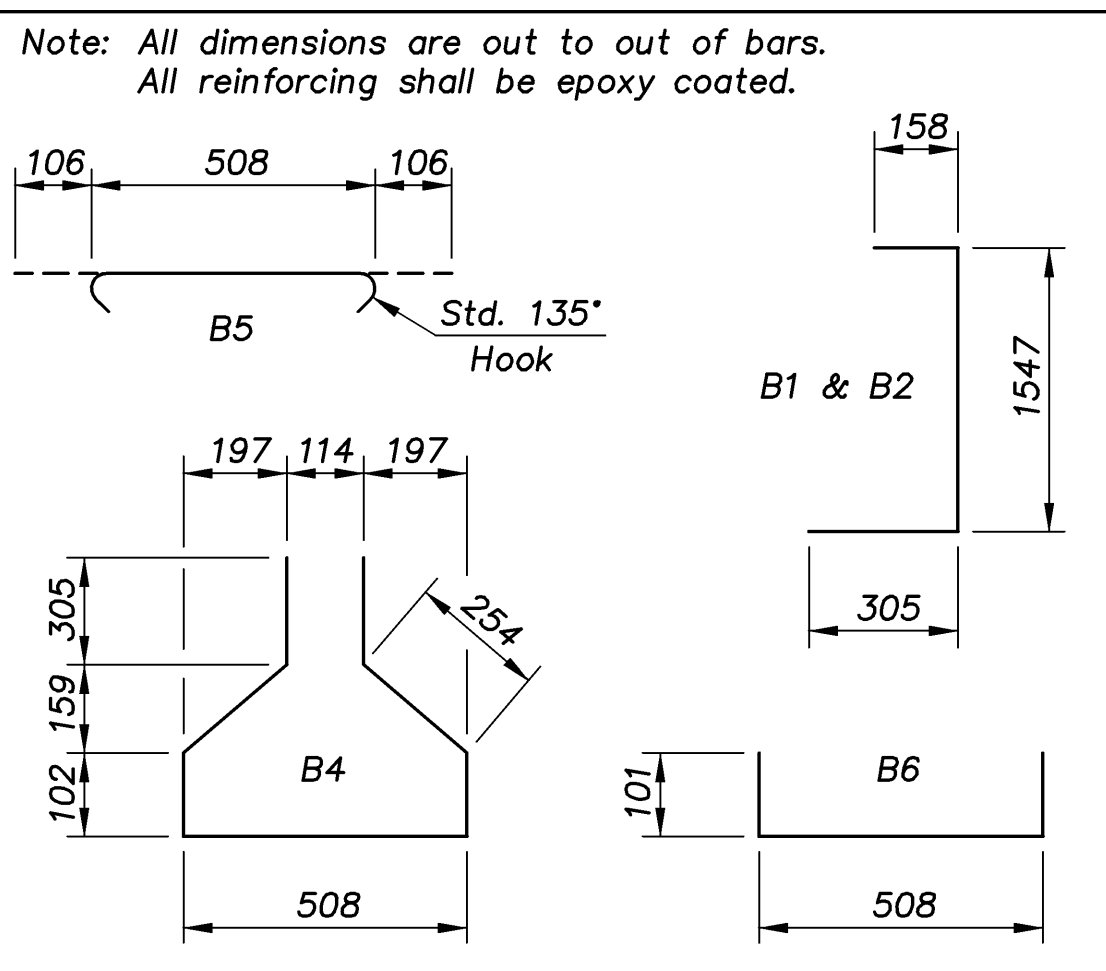
NEAR MID-POINT AT THE ENDS

BEAM SECTION SHOWING REINFORCEMENT

NOTE: During transportation only, beams may be supported on bearing points a maximum of 2900 mm from the beam ends. The fabricator shall show the proposed support location on the shop drawings. See General Notes on the "Standard P.C. Beam Details" sheet.

\* 8 each exterior beam.  
16 each interior beam.

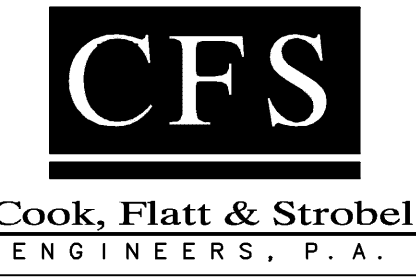
BILL OF REINFORCING STEEL							
29.0 m BEAM (1 Listed-9 Required each Bridge)							
STRAIGHT BARS				BENT BARS			
MARK	SIZE	NO.	LENGTH	MARK	SIZE	NO.	LENGTH
B3	13	12	10 130	B1	16	100	2010
				B2	13	136	2010
				B4	10	50	1830
				B5	10	118	720
				B6	10	68	710



BILL OF MATERIAL			
ITEM	UNIT	W.B. Bridge 54-87-30.81(700)	E.B. Bridge 54-87-30.82(701)
29.0 m Prestressed Concrete Beams (K4+75 mm)	m	261.0	261.0
The following quantities are given for information only and shall not be paid for directly but shall be considered subsidiary to the bid item "Prestressed Concrete Beams".			
Beam Concrete (f'c = 35 MPa), (per beam)	m <sup>3</sup>	13.4	13.4
Approximate weight of beam	kg	32 248	32 248
13 mm nominal diameter Prestressed Strands (1860 MPa low relaxation), (per beam)	m	890.944	890.944
Reinforcing Steel Grade 420 (Epoxy Coated), (fy = 420 MPa), (per beam)	kg	830	830
Elastomeric Bearing Pads (20 x 310 x 560 mm)	Each	18	18
Bearing Plates (12 x 375 x 560 mm)	Each	18	18
20 mm Open Coil Inserts	Each	128 *	128 *
20 mm dia. x 460 mm Threaded Coil Rods	Each	128 *	128 *
Lifting Devices	Each	18	18

KANSAS DEPARTMENT OF TRANSPORTATION  
BR. NO. 54-87-30.81(700) W.B. STA. 3+378.725  
BR. NO. 54-87-30.82(701) E.B.

29.0 m P.C. BEAM DETAILS  
KELLOGG AVENUE OVER ARMOUR ROAD



DESIGNED R.S.C. SCALE Varies  
DETAILED T.R.G. DATE  
QUANTITIES T.R.G. SHEET 21 OF 39

Proj. No. 54-87 K-8258-01 SEDGWICK COUNTY

ARMOUR/PCB-DETAILS 1:100