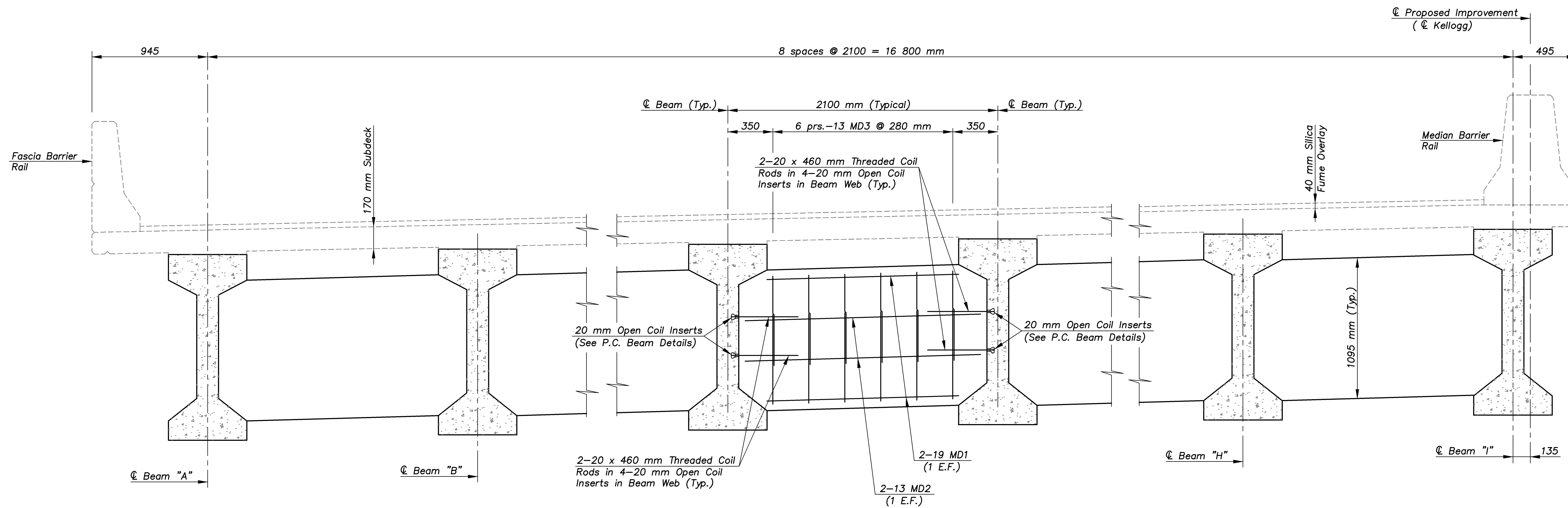


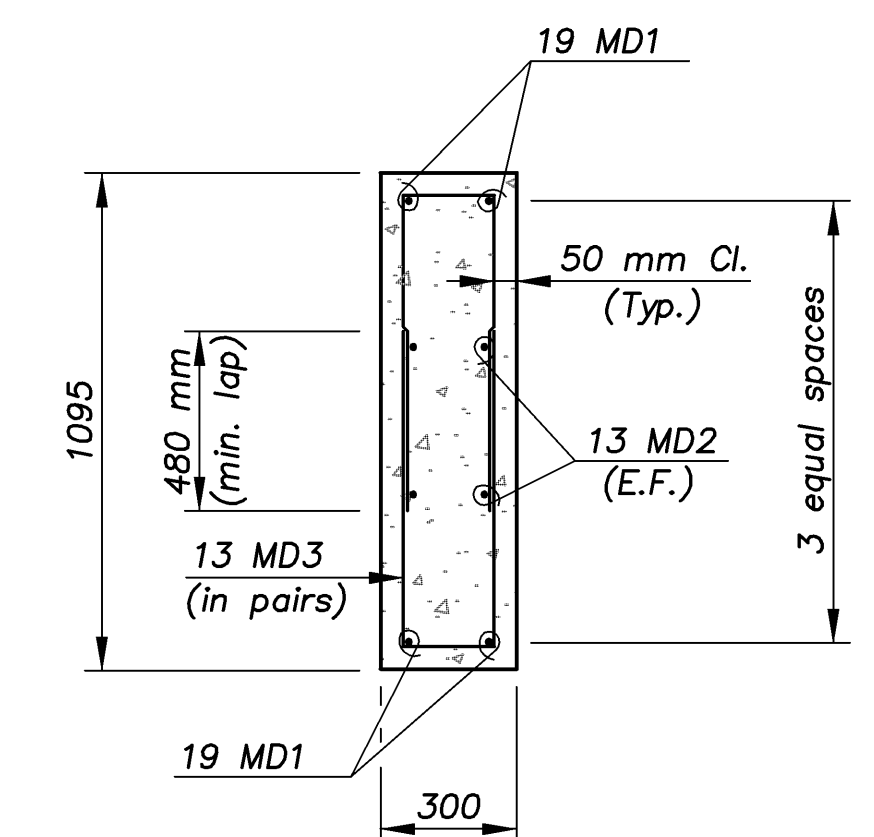
E.F. INDICATES EACH FACE.
 N.F. INDICATES NEAR FACE.
 F.F. INDICATES FAR FACE.

STATE	PROJECT NO.	YEAR	SHEET NO.	TOTAL SHEETS
KANSAS	54-87 K-8258-01	2007	204	556



PARTIAL ELEVATION SHOWING DIAPHRAGM AT MID-SPAN
 (29 m Span Only)

NOTE: Cure all Mid-Span Diaphragms a minimum of 7 days prior to placing any concrete in the bridge deck.



TYPICAL SECTION THRU DIAPHRAGM

ARMOUR/DIAPHRAGMS 1:100

KANSAS DEPARTMENT OF TRANSPORTATION		BR. NO. 54-87-30.81(700) W.B. STA. 3+378.725	
MID-SPAN DIAPHRAGM DETAILS			
KELLOGG AVENUE OVER ARMOUR ROAD			
Proj. No. 54-87 K-8258-01		SEDGWICK COUNTY	
CFS Cook, Flatt & Strobel ENGINEERS, P. A.		DESIGNED R.S.C.	SCALE Varies
		DETAILED T.R.G.	DATE
		QUANTITIES T.R.G.	SHEET 24 OF 39