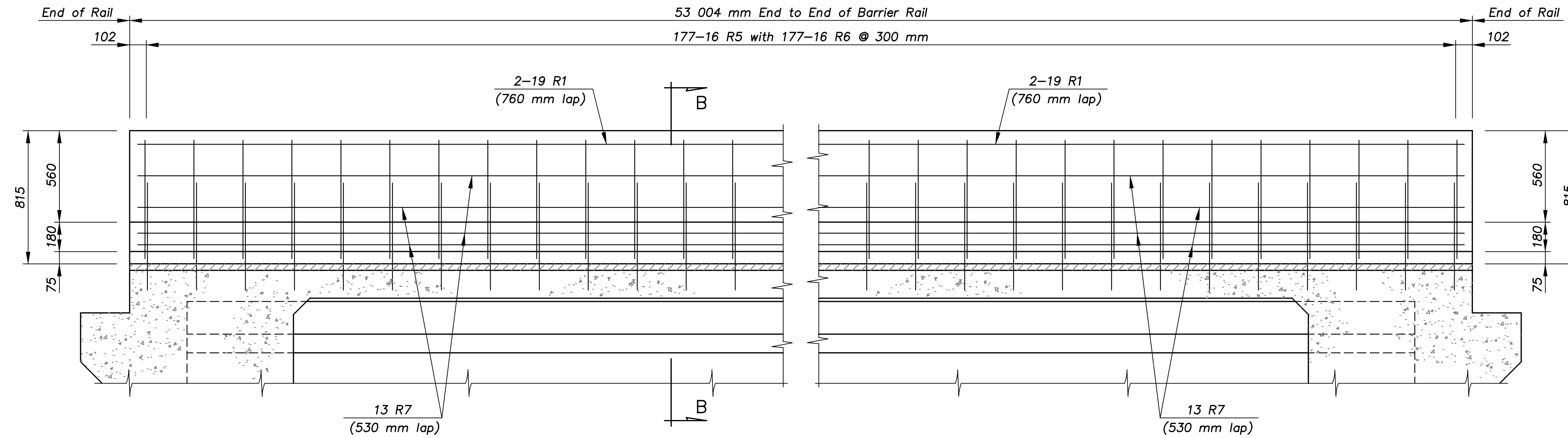
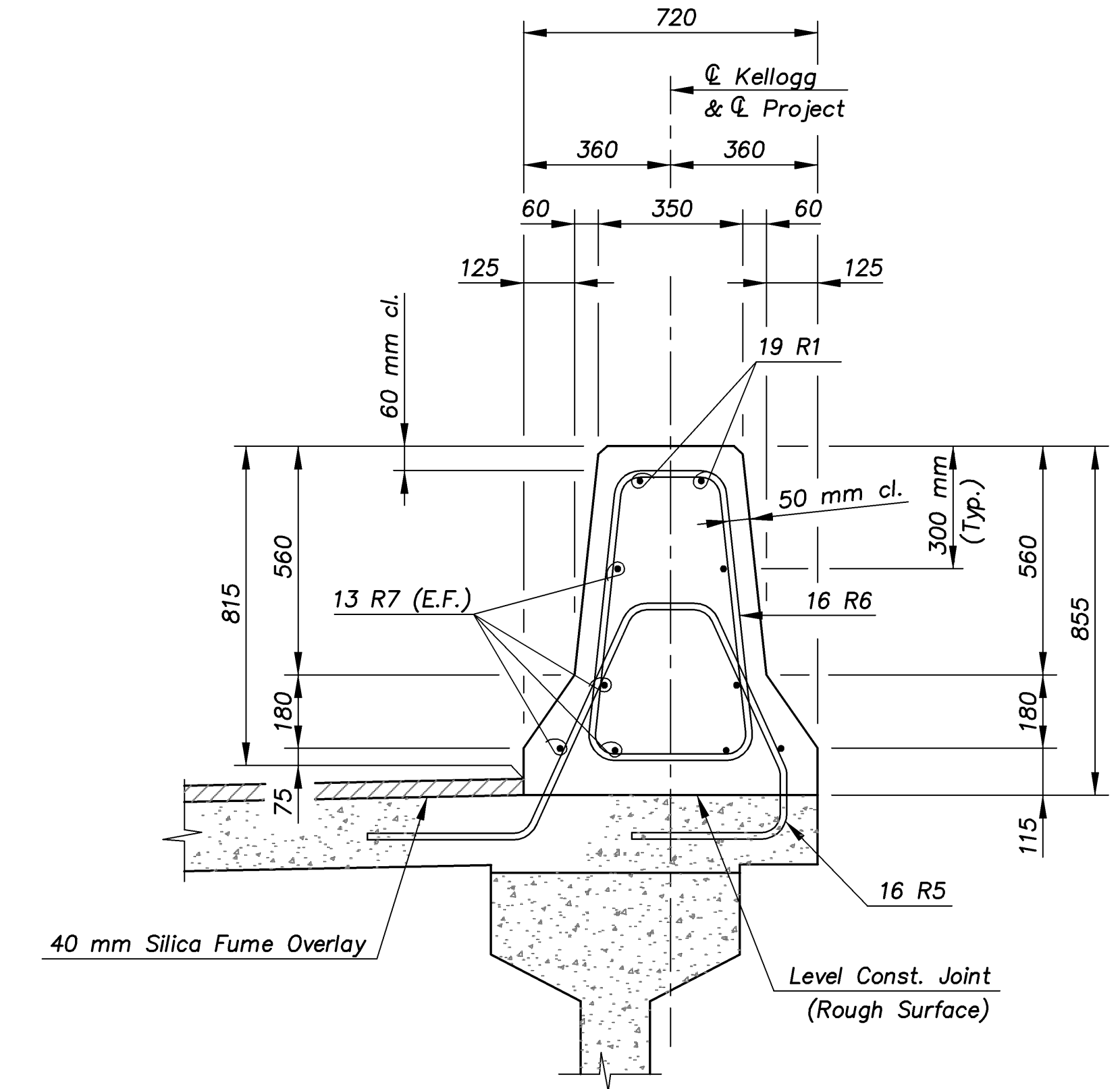


E.F. INDICATES EACH FACE.
 N.F. INDICATES NEAR FACE.
 F.F. INDICATES FAR FACE.

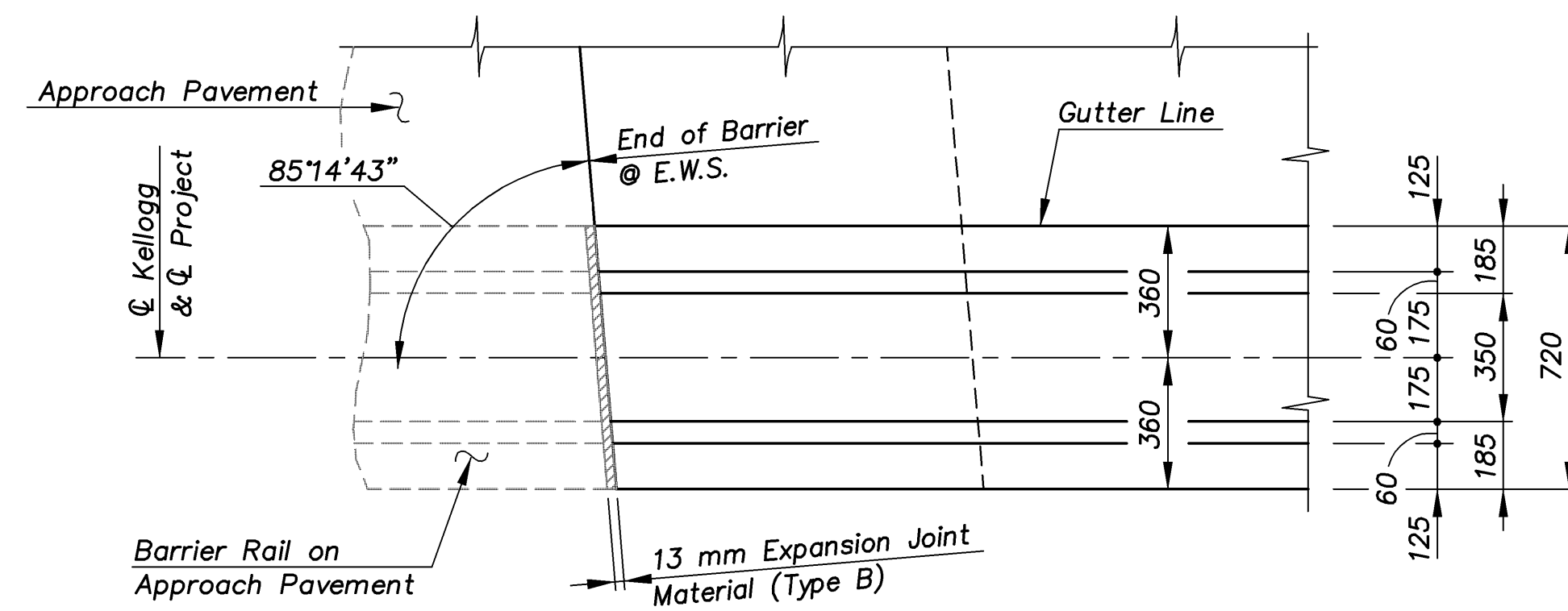
STATE	PROJECT NO.	YEAR	SHEET NO.	TOTAL SHEETS
KANSAS	54-87 K-8258-01	2007	213	556



PARTIAL INTERIOR ELEVATION OF MEDIAN BARRIER RAIL



SECTION B-B



PARTIAL PLAN OF MEDIAN BARRIER RAIL AT ABUTMENTS

(Typical each end of rail)

ARMOUR/BARRIER 1:100

KANSAS DEPARTMENT OF TRANSPORTATION
 BR. NO. 54-87-30.81(700) W.B. STA. 3+378.725
MEDIAN BARRIER RAIL DETAILS
 KELLOGG AVENUE OVER ARMOUR ROAD
 Proj. No. 54-87 K-8258-01 SEDGWICK COUNTY

CFS
 Cook, Flatt & Strobel
 ENGINEERS, P. A.
 DESIGNED R.S.C. SCALE Varies
 DETAILED T.R.G. DATE
 QUANTITIES T.R.G. SHEET 33 OF 39