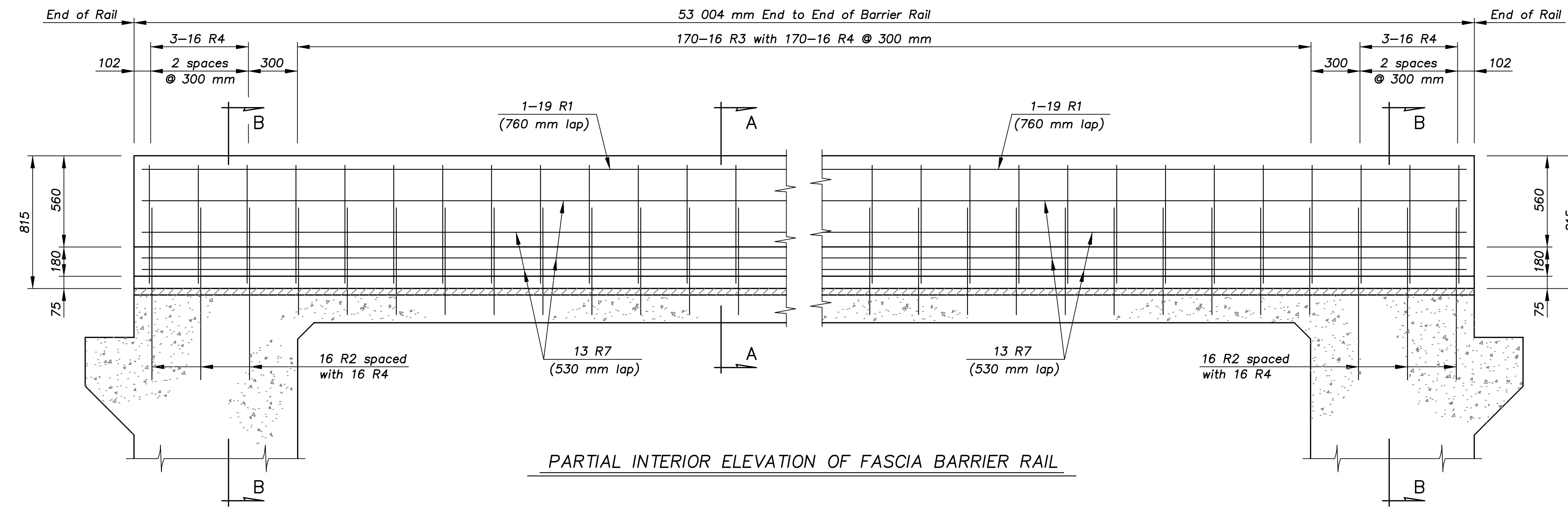
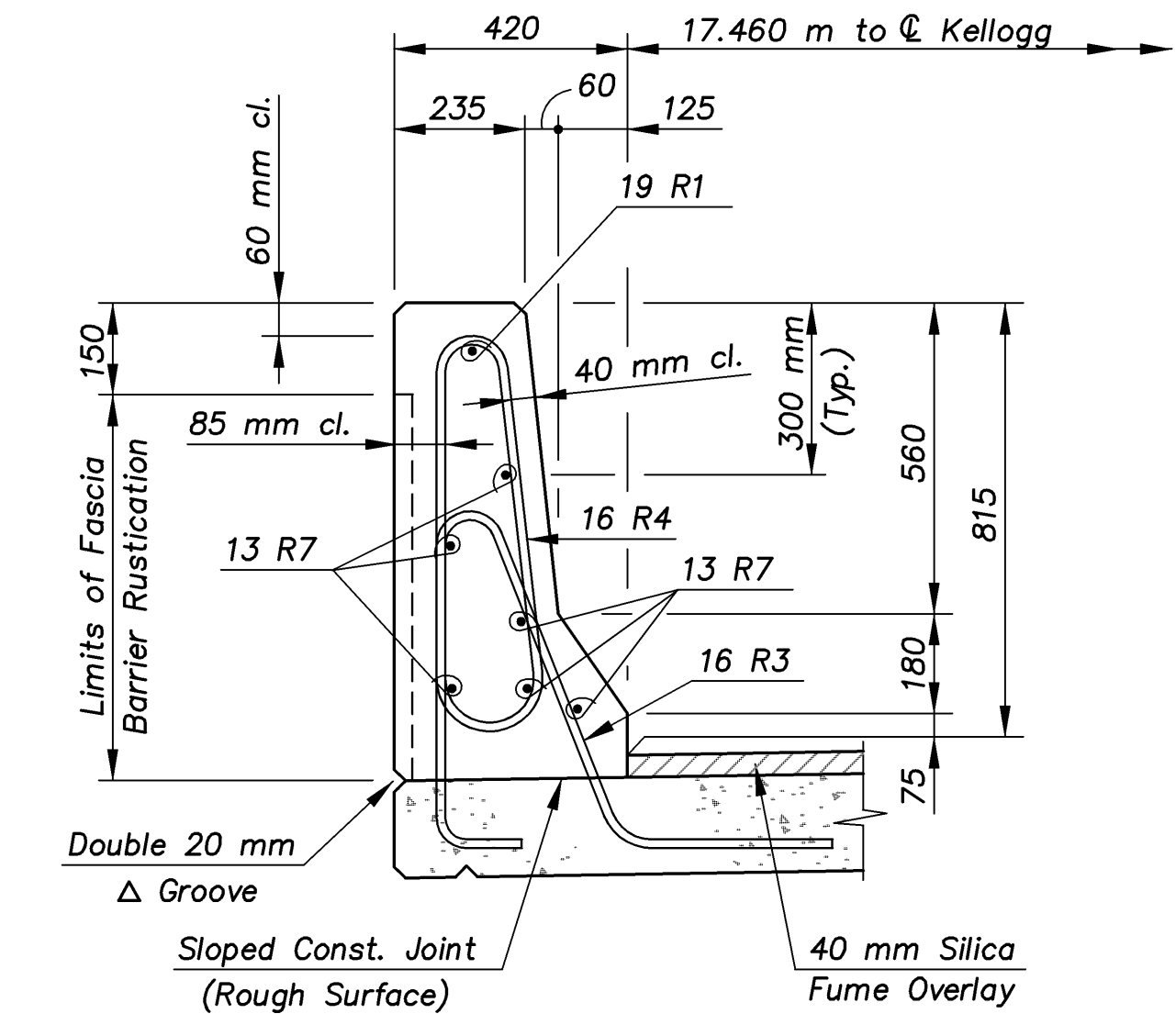


E.F. INDICATES EACH FACE.
 N.F. INDICATES NEAR FACE.
 F.F. INDICATES FAR FACE.

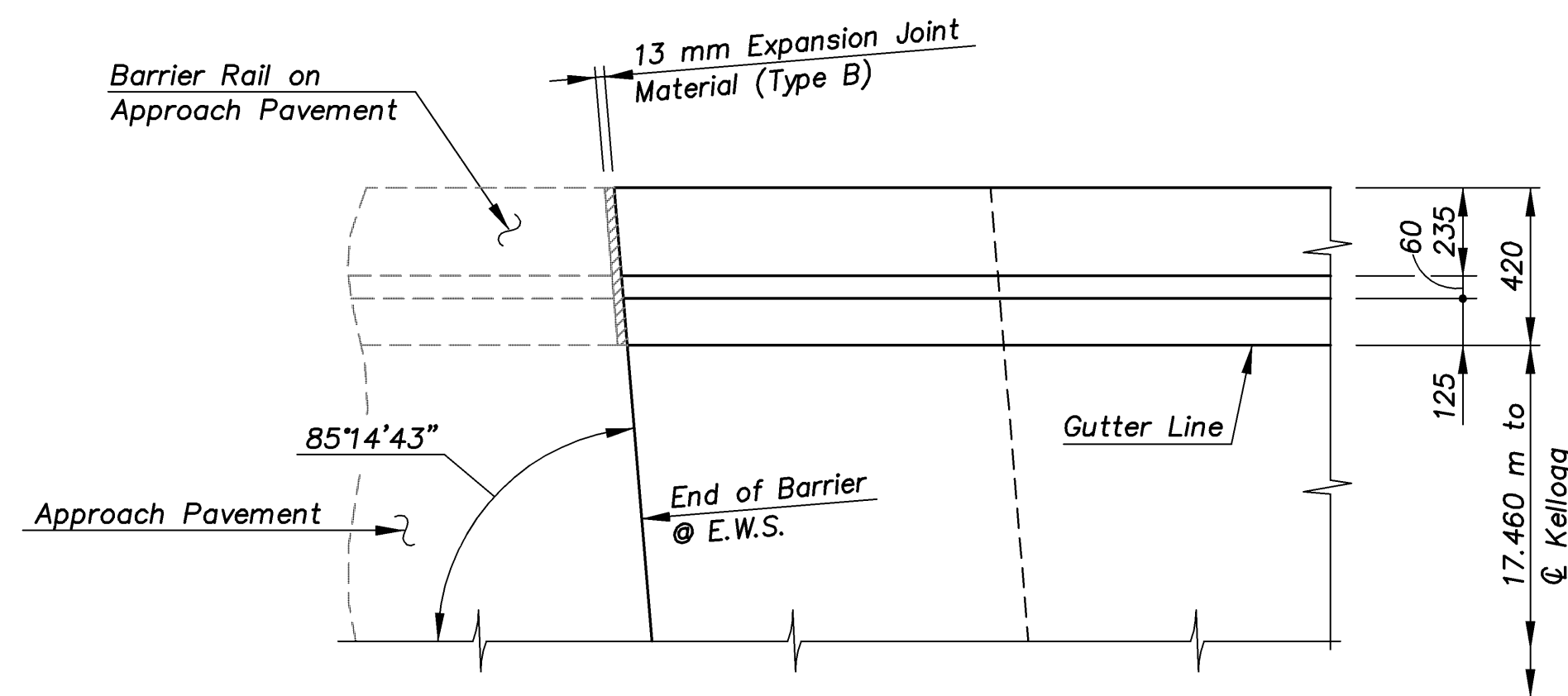
STATE	PROJECT NO.	YEAR	SHEET NO.	TOTAL SHEETS
KANSAS	54-87 K-8258-01	2007	214	556



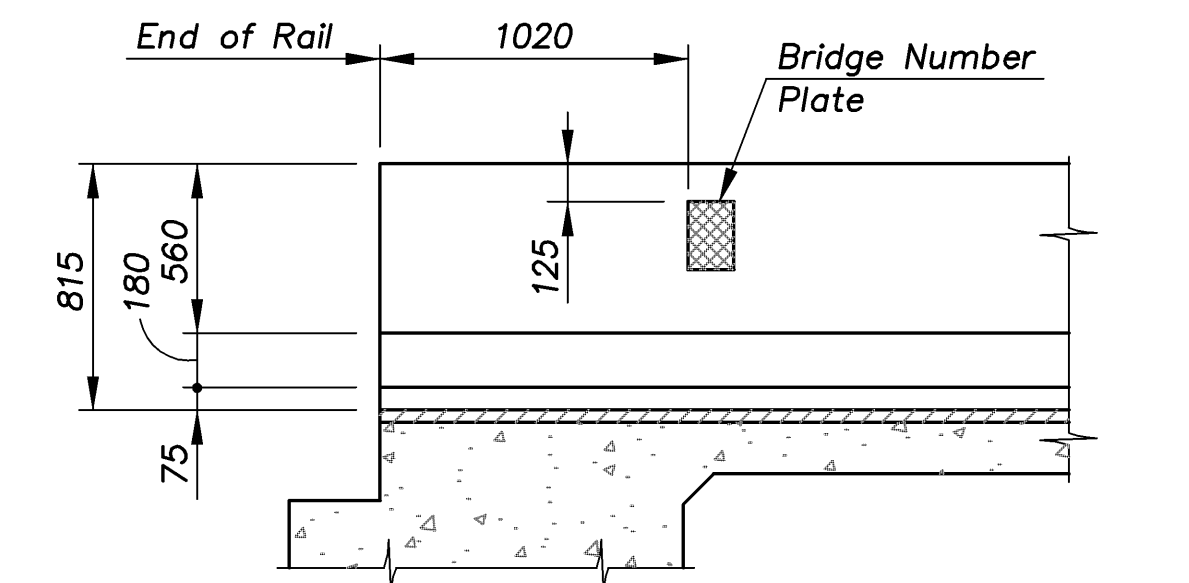
PARTIAL INTERIOR ELEVATION OF FASCIA BARRIER RAIL



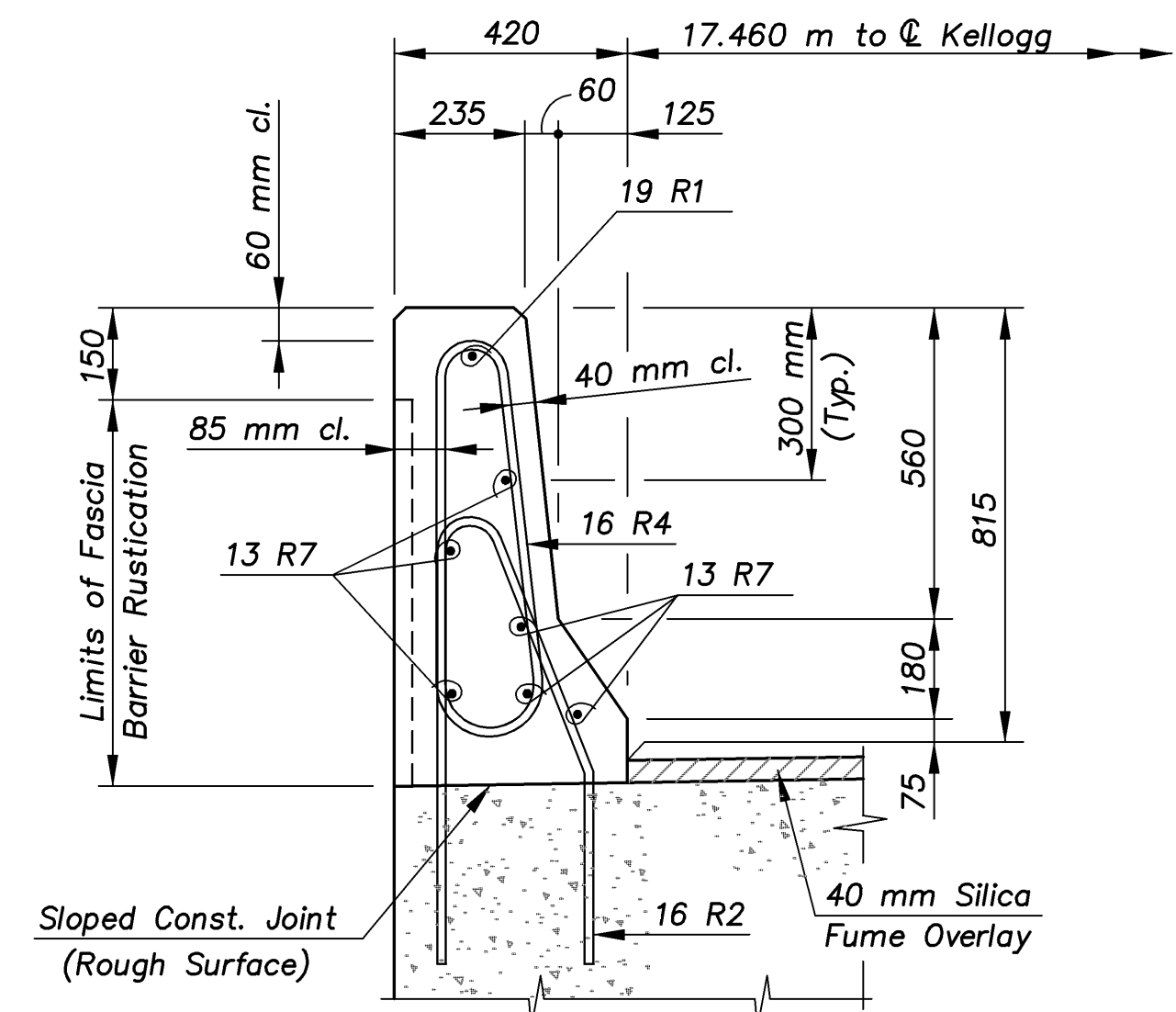
SECTION A-A



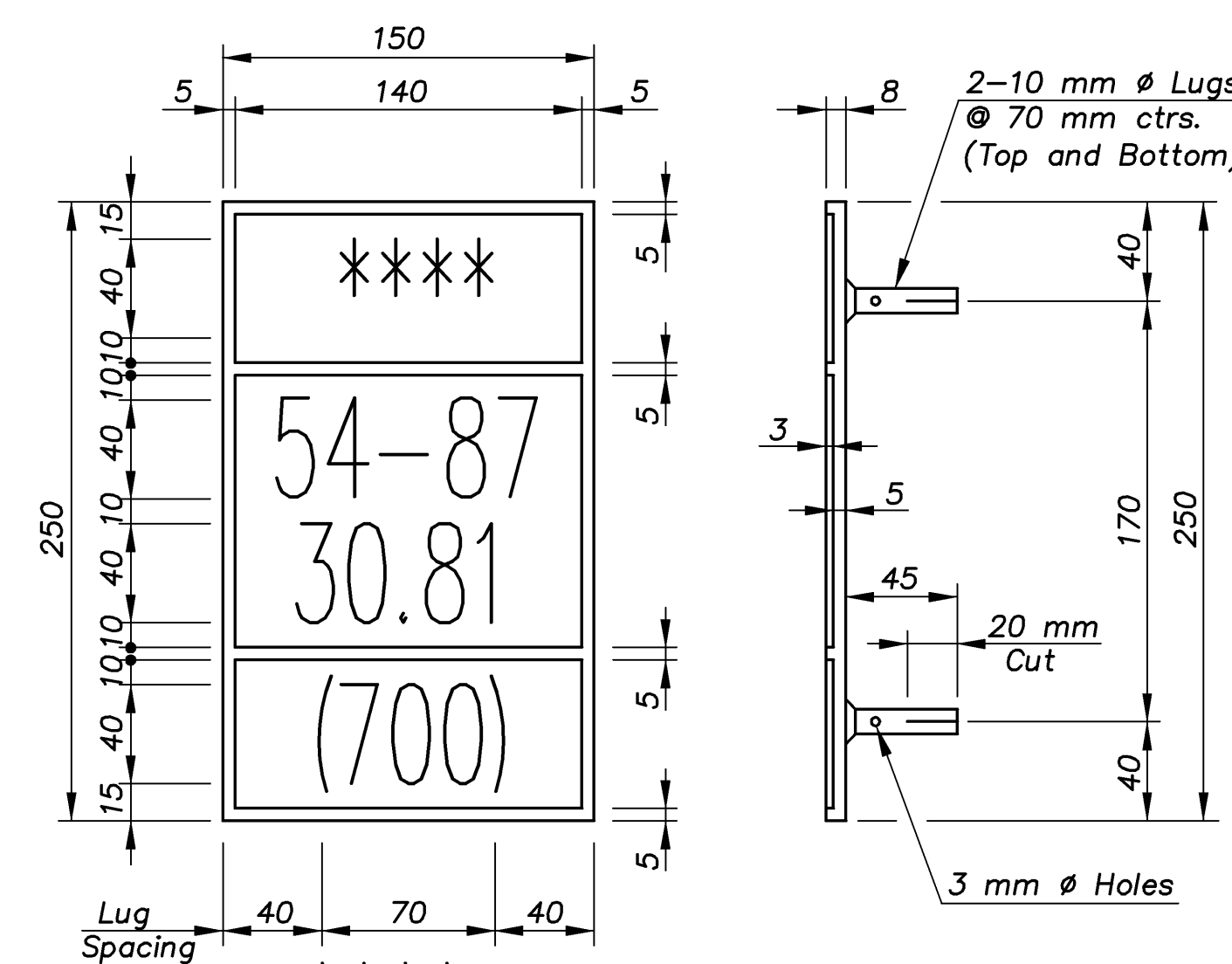
PARTIAL PLAN OF FASCIA BARRIER RAIL AT ABUTMENTS
 (Typical each end of rail)



ELEVATION OF ENTRANCE END OF BARRIER



SECTION B-B



**** Year Bridge is completed.

BRIDGE NUMBER PLATE DETAIL

(One Required thus)

NOTE: For location of Bridge Number Plate see "Construction Layout" sheet for West Bound Bridge.

KANSAS DEPARTMENT OF TRANSPORTATION		CFS	
BR. NO. 54-87-30.81(700) W.B.	STA. 3+378.725	Cook, Flatt & Strobel ENGINEERS, P. A.	
FASCIA BARRIER RAIL DETAILS		DESIGNED R.S.C.	SCALE Varies
KELLOGG AVENUE OVER ARMOUR ROAD		DETAILED T.R.G.	DATE
Proj. No. 54-87 K-8258-01	SEDGWICK COUNTY	QUANTITIES T.R.G.	SHEET 34 OF 39