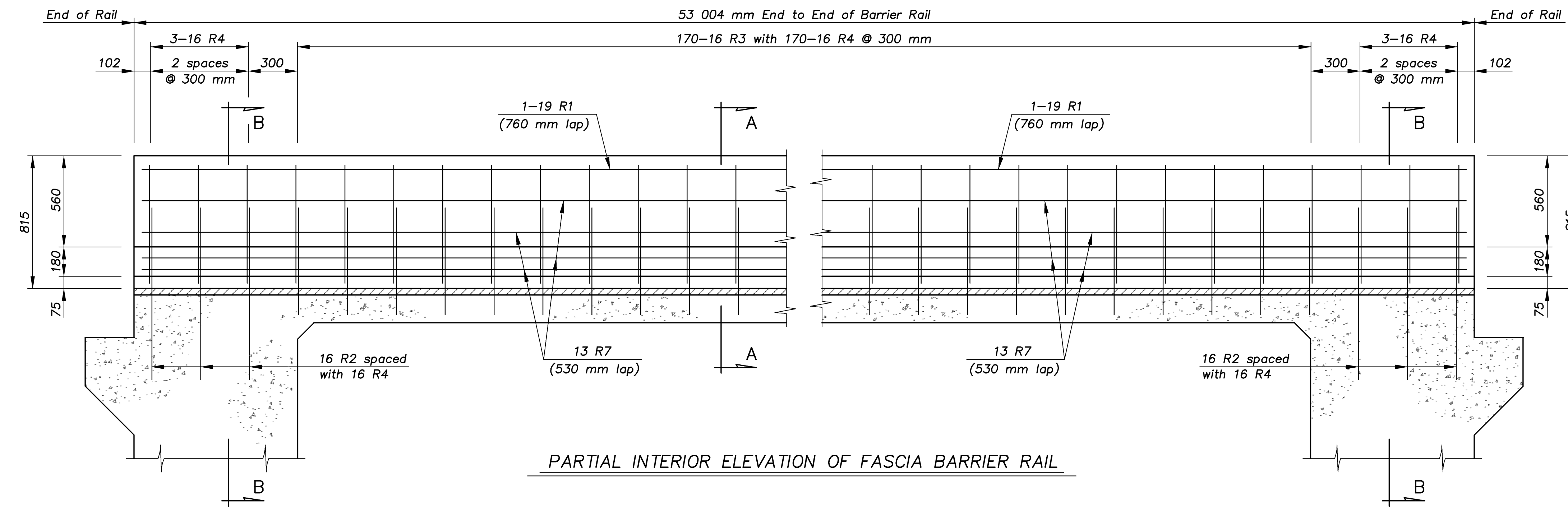
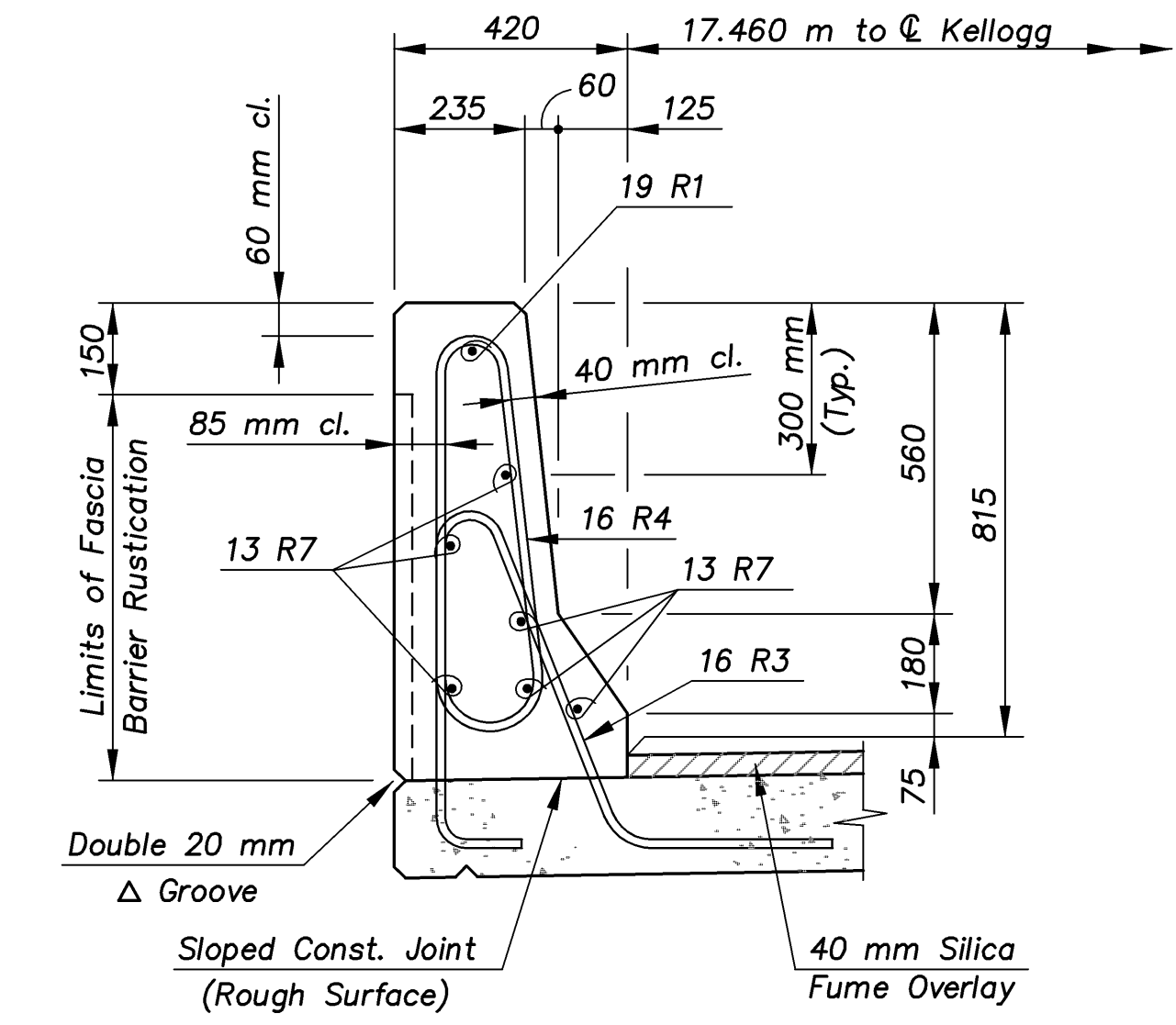


E.F. INDICATES EACH FACE.
 N.F. INDICATES NEAR FACE.
 F.F. INDICATES FAR FACE.

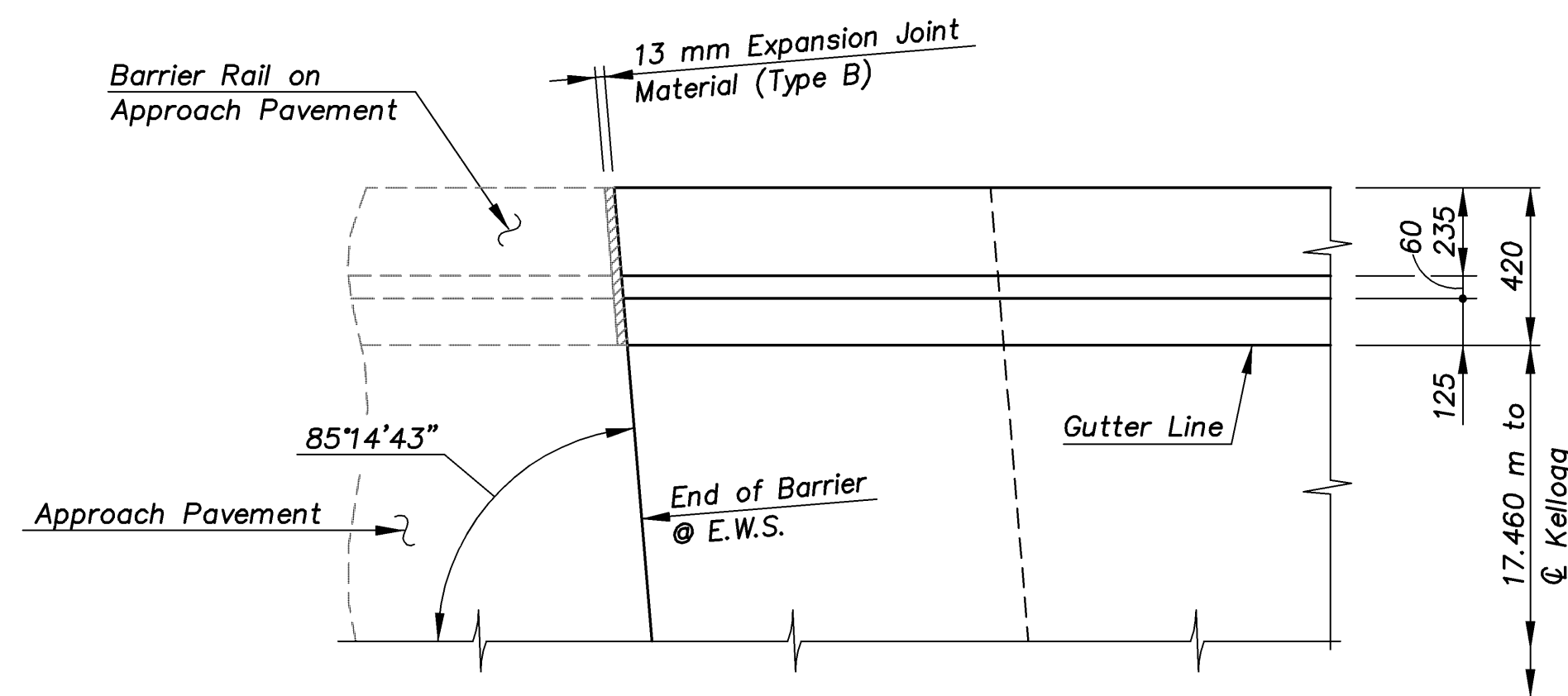
STATE	PROJECT NO.	YEAR	SHEET NO.	TOTAL SHEETS
KANSAS	54-87 K-8258-01	2007	215	556



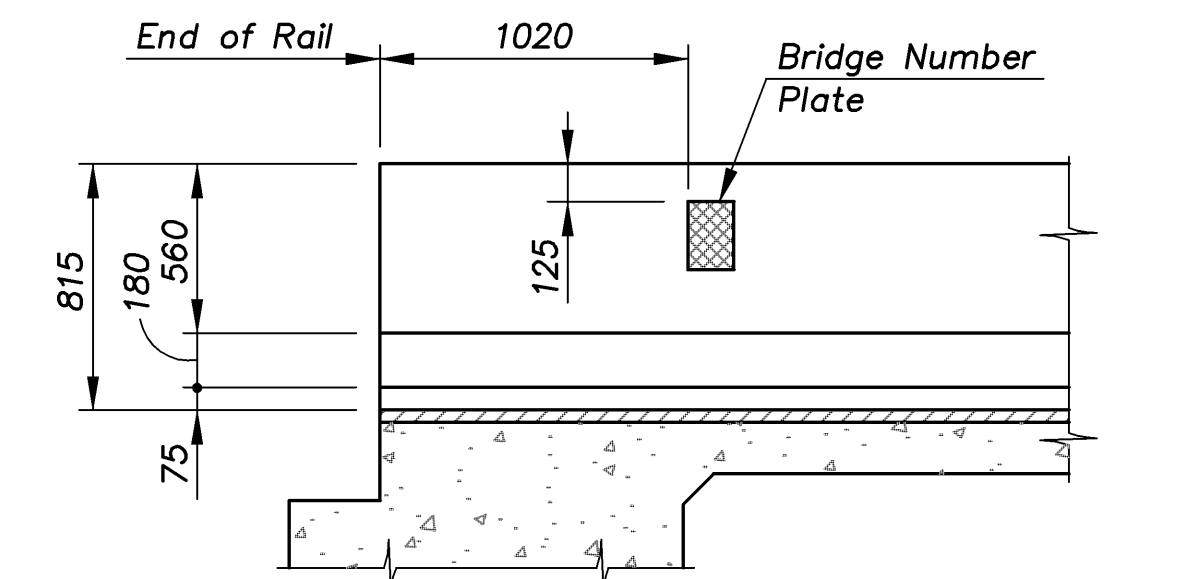
PARTIAL INTERIOR ELEVATION OF FASCIA BARRIER RAIL



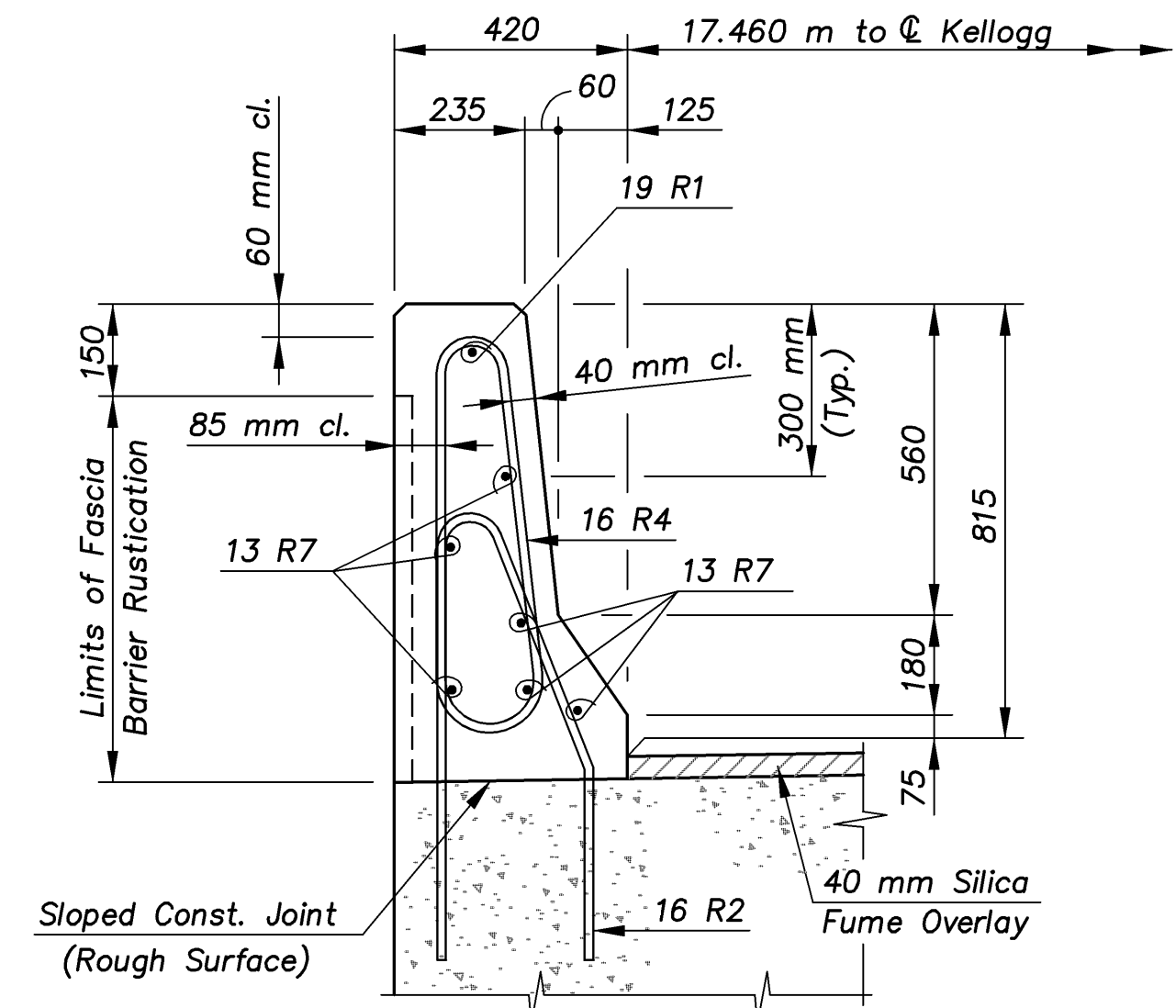
SECTION A-A



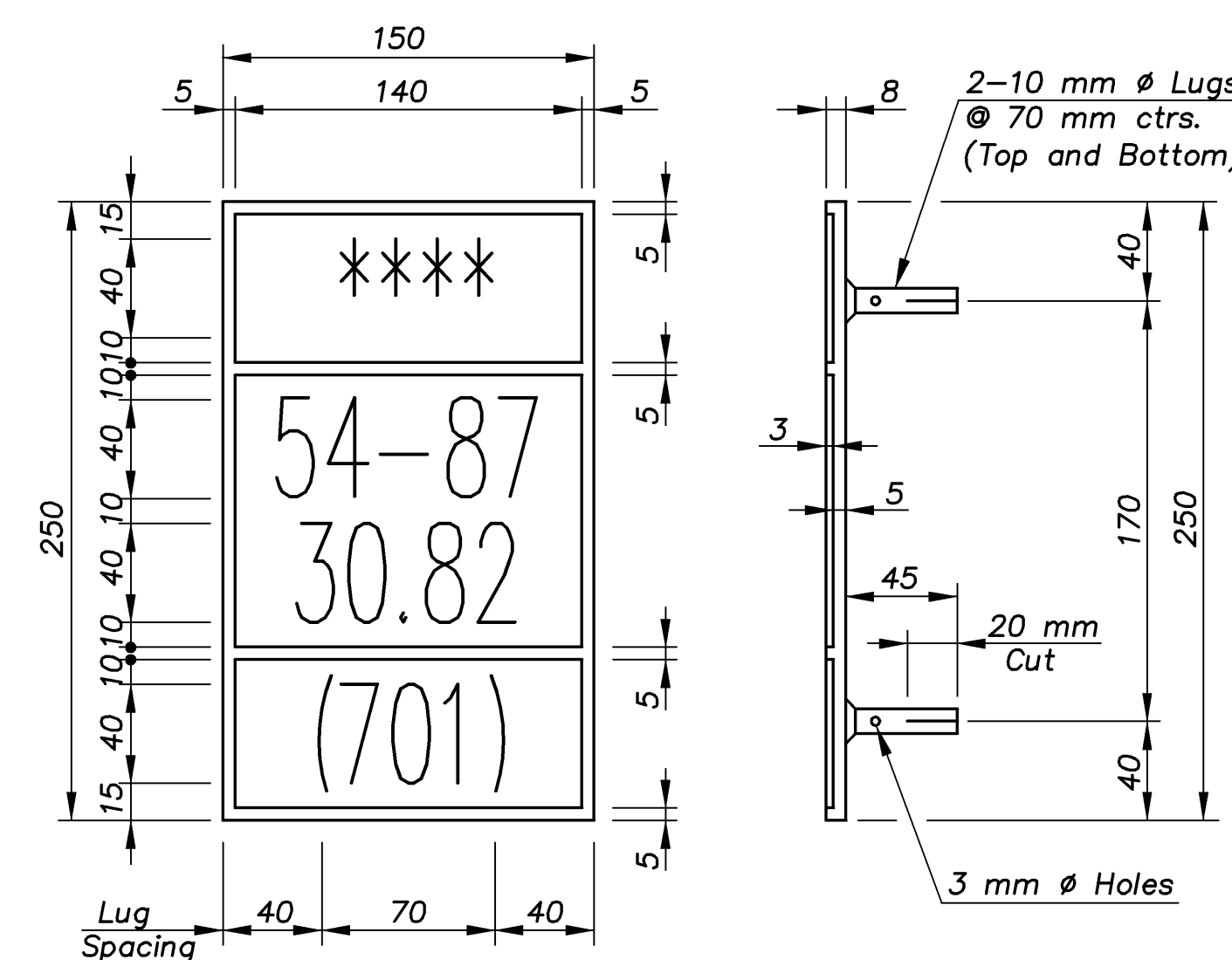
PARTIAL PLAN OF FASCIA BARRIER RAIL AT ABUTMENTS
 (Typical each end of rail)



ELEVATION OF ENTRANCE END OF BARRIER



SECTION B-B



**** Year Bridge is completed.

BRIDGE NUMBER PLATE DETAIL

(One Required thus)

NOTE: For location of Bridge Number Plate see "Construction Layout" sheet for East Bound Bridge.

KANSAS DEPARTMENT OF TRANSPORTATION	
BR. NO. 54-87-30.82(701) E.B.	STA. 3+378.725
FASCIA BARRIER RAIL DETAILS	
KELLOGG AVENUE OVER ARMOUR ROAD	
Proj. No. 54-87 K-8258-01	SEDGWICK COUNTY

CFS	
Cook, Flatt & Strobel ENGINEERS, P. A.	
DESIGNED R.S.C.	SCALE Varies
DETAILED T.R.G.	DATE
QUANTITIES T.R.G.	SHEET 35 OF 39