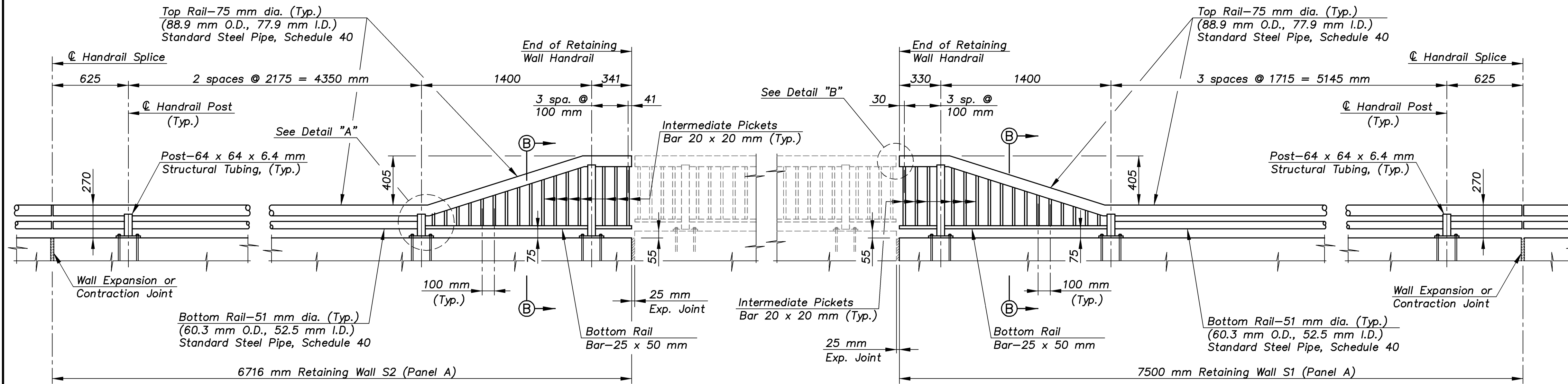
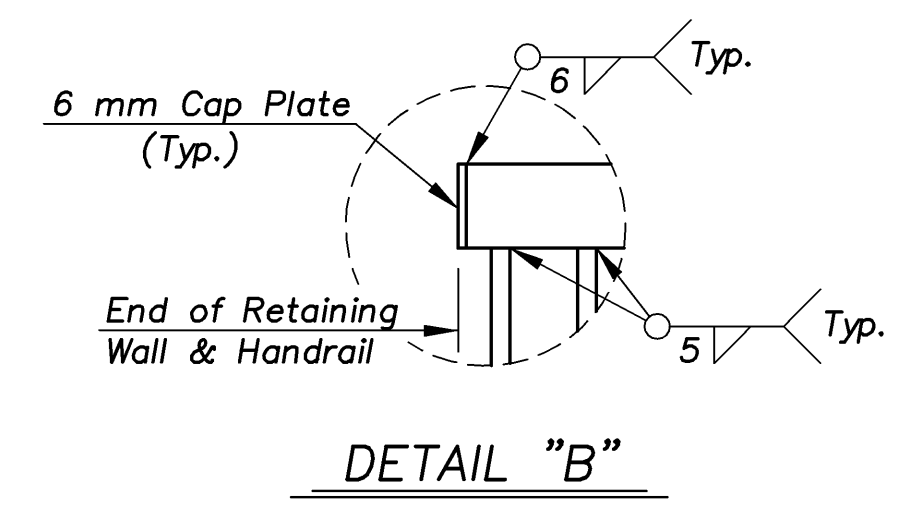


E.F. INDICATES EACH FACE.  
 N.F. INDICATES NEAR FACE.  
 F.F. INDICATES FAR FACE.

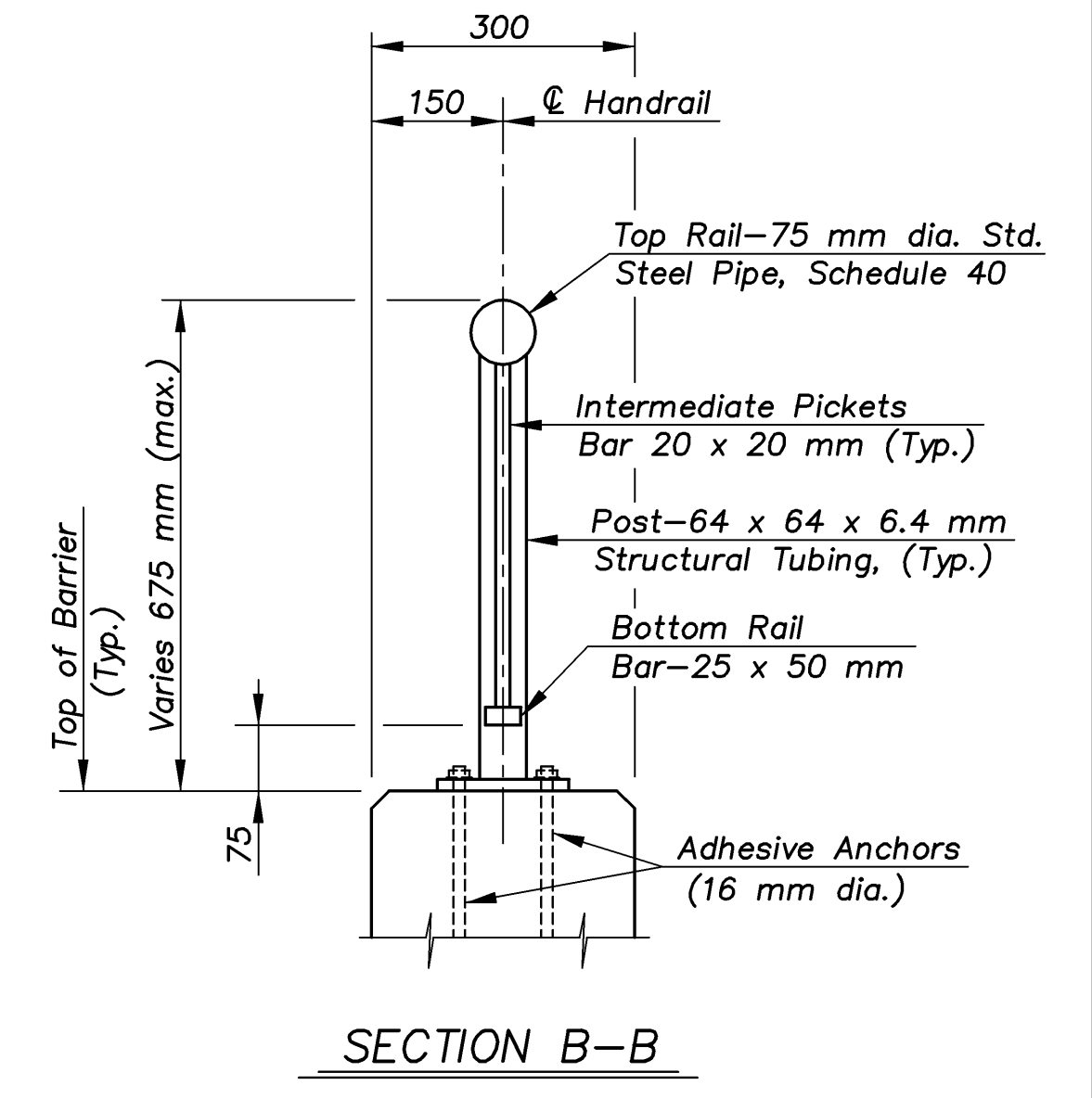
STATE	PROJECT NO.	YEAR	SHEET NO.	TOTAL SHEETS
KANSAS	54-87 K-8258-01	2007	239	556



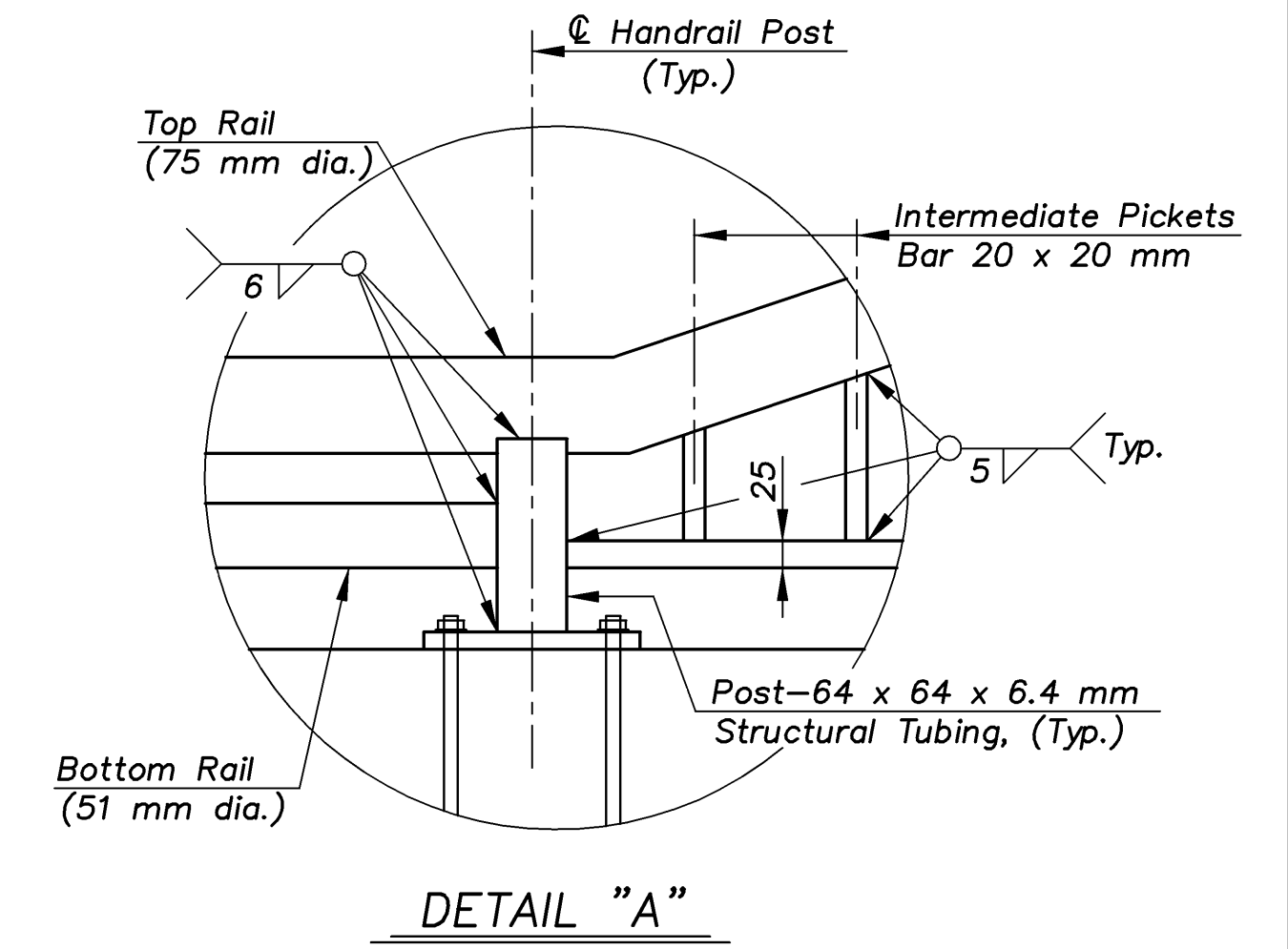
SOUTH RETAINING WALL HANDRAIL ELEVATION AT ROCK ROAD BRIDGE



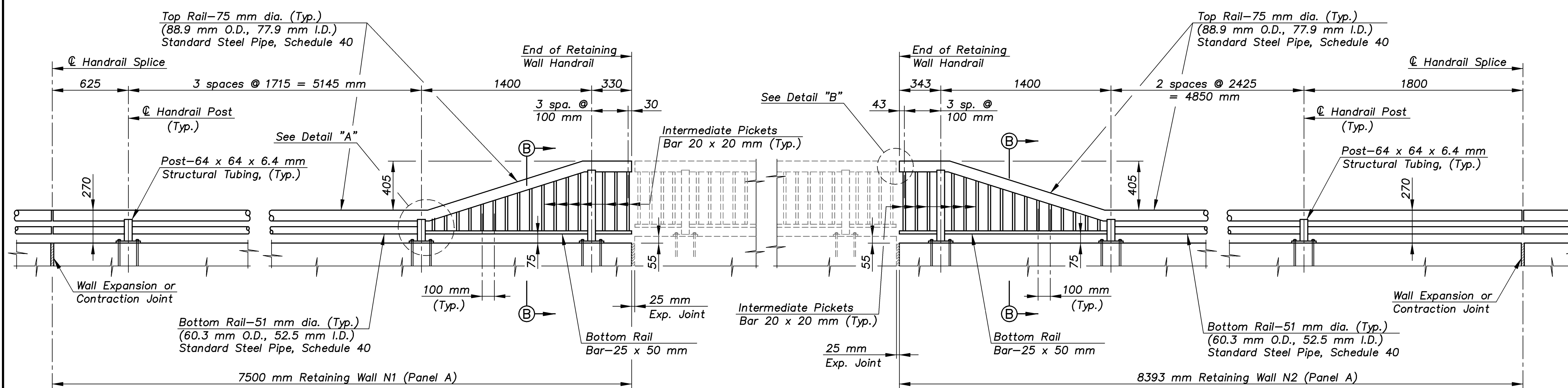
DETAIL "B"



SECTION B-B




DETAIL "A"



NORTH RETAINING WALL HANDRAIL ELEVATION AT ROCK ROAD BRIDGE

RETWALL/DETAILS 1:200

KANSAS DEPARTMENT OF TRANSPORTATION		 <b>Cook, Flatt &amp; Strobel</b> ENGINEERS, P. A.	
<b>ROCK ROAD RETAINING WALLS</b> <b>METAL HANDRAIL DETAILS</b>			
DESIGNED	R.S.C.	SCALE	Noted
DETAILED	T.R.G.	DATE	
Proj. No. 54-87 K-8258-01		QUANTITIES	T.R.G. SHEET 20 OF 27