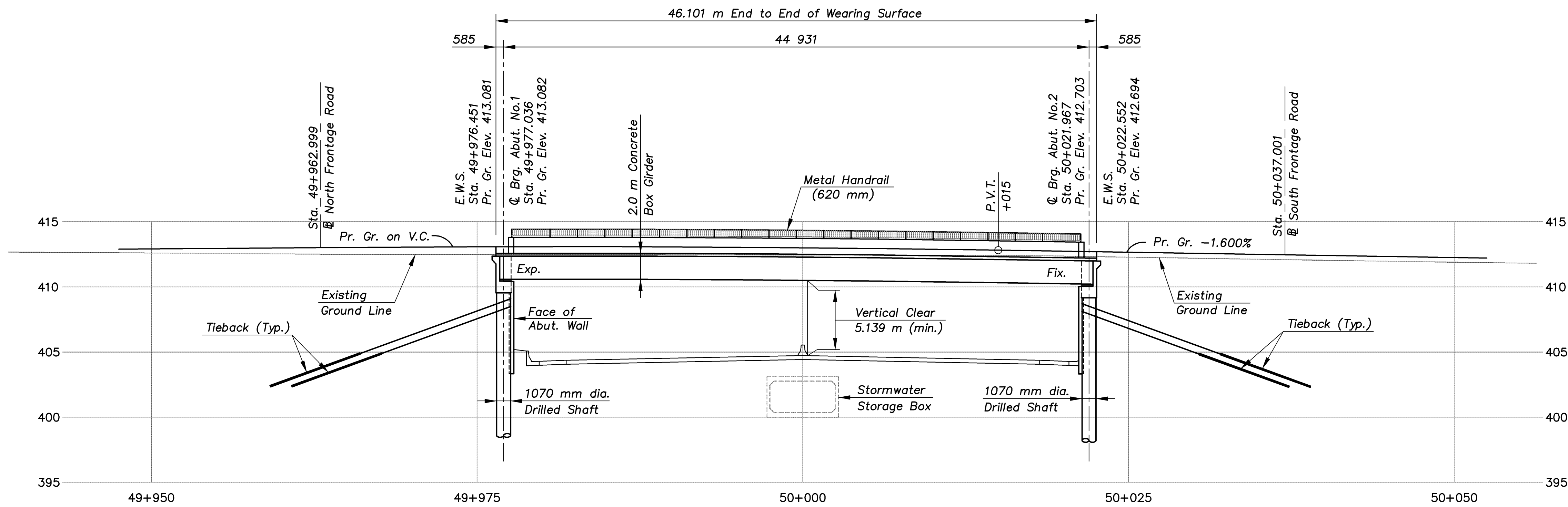


STATE	PROJECT NO.	YEAR	SHEET NO.	TOTAL SHEETS
KANSAS	54-87 K-8258-01	2007	248	556



**ELEVATION**

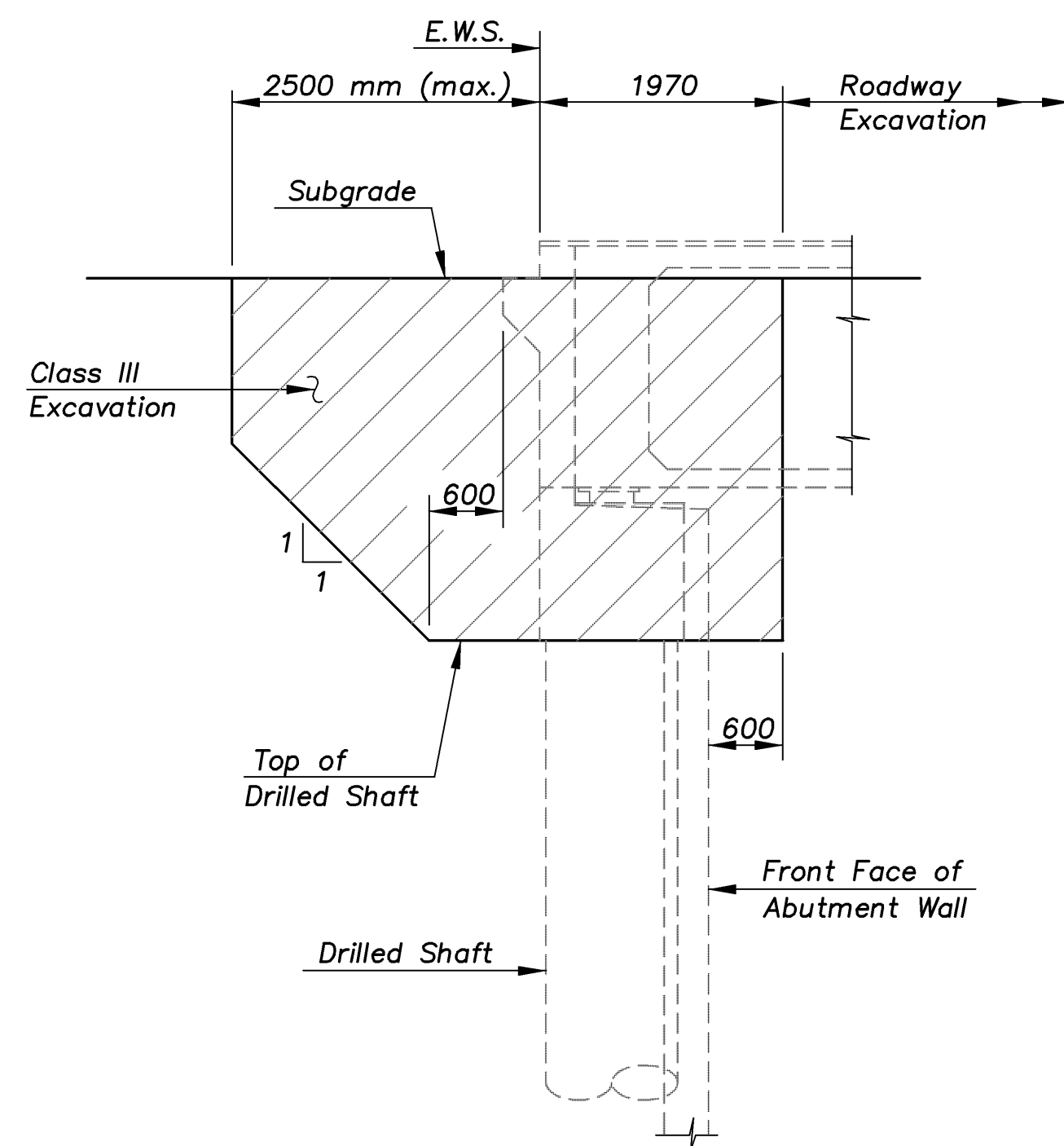
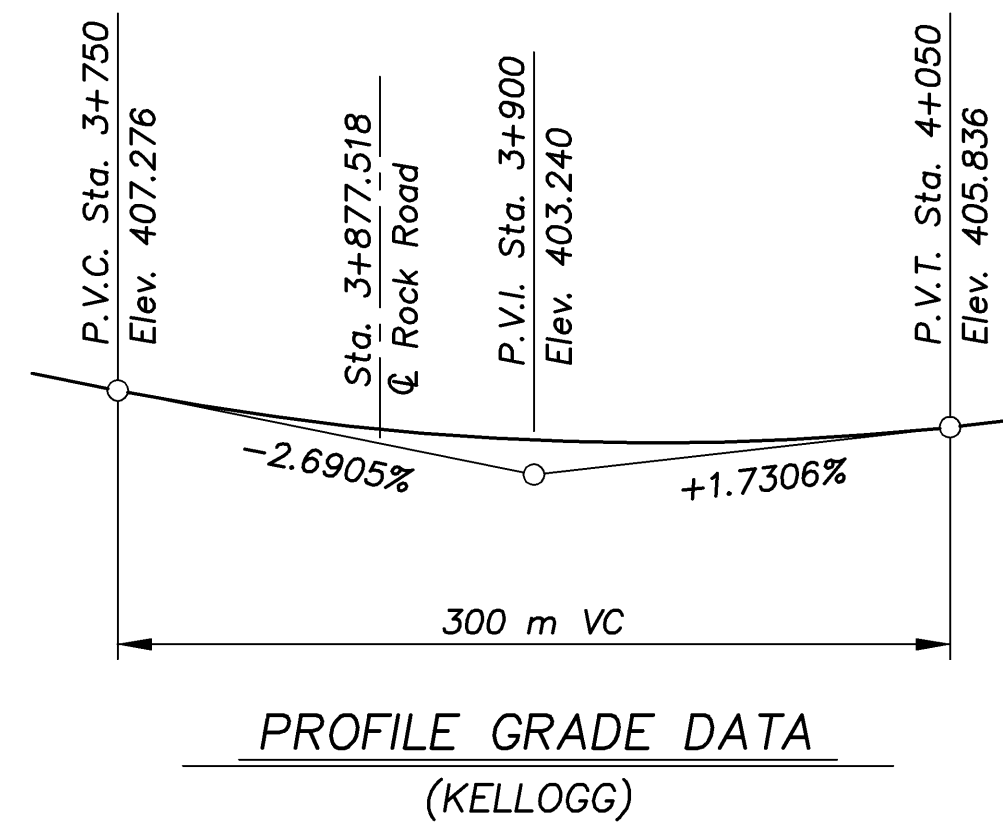
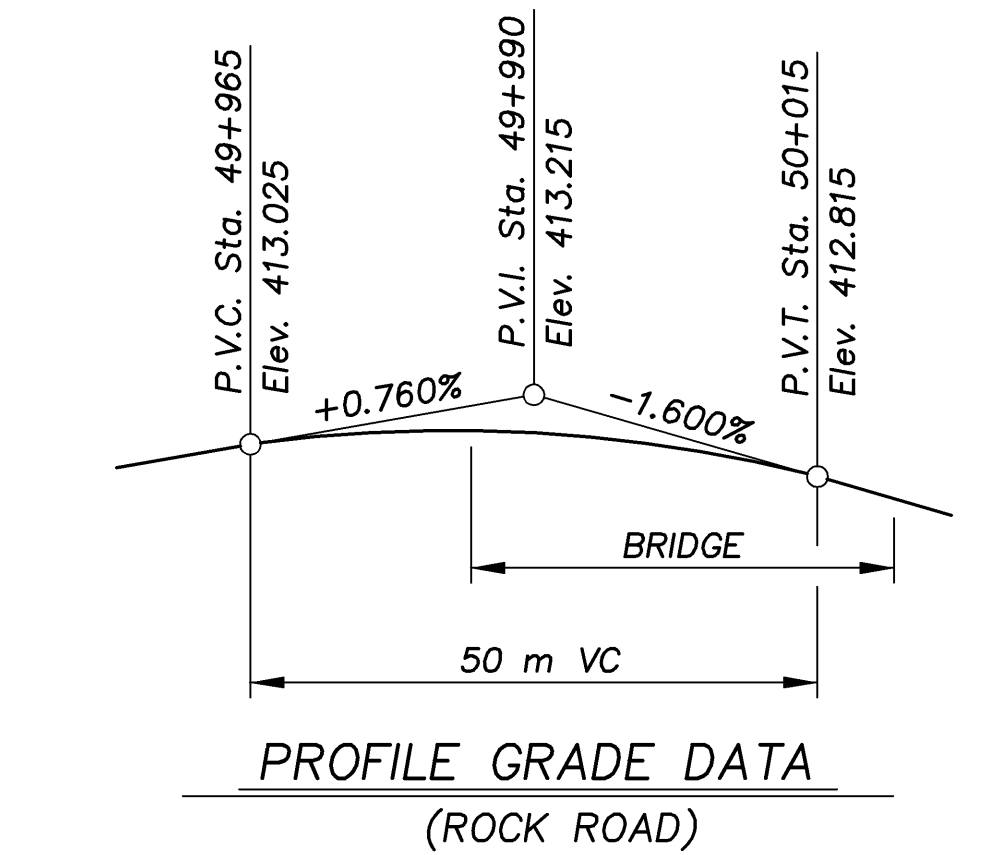
44.931 m C.I.P. Post Tensioned, Multi-Cell, Concrete Box Girder Span  
 Drilled Shaft Type Abutments  
 35.2 m Roadway, 0°21'03" Skew Right

BM # 17 ~ "□" Cut Top of Curb @ E.N.E. ECR of Entrance between Firestone & Old Chicago Restaurant, 36.0 m N. of North Frontage Rd. 44.6 m Lt. Sta. 3+711.922 (Kellogg) Elev. 412.239

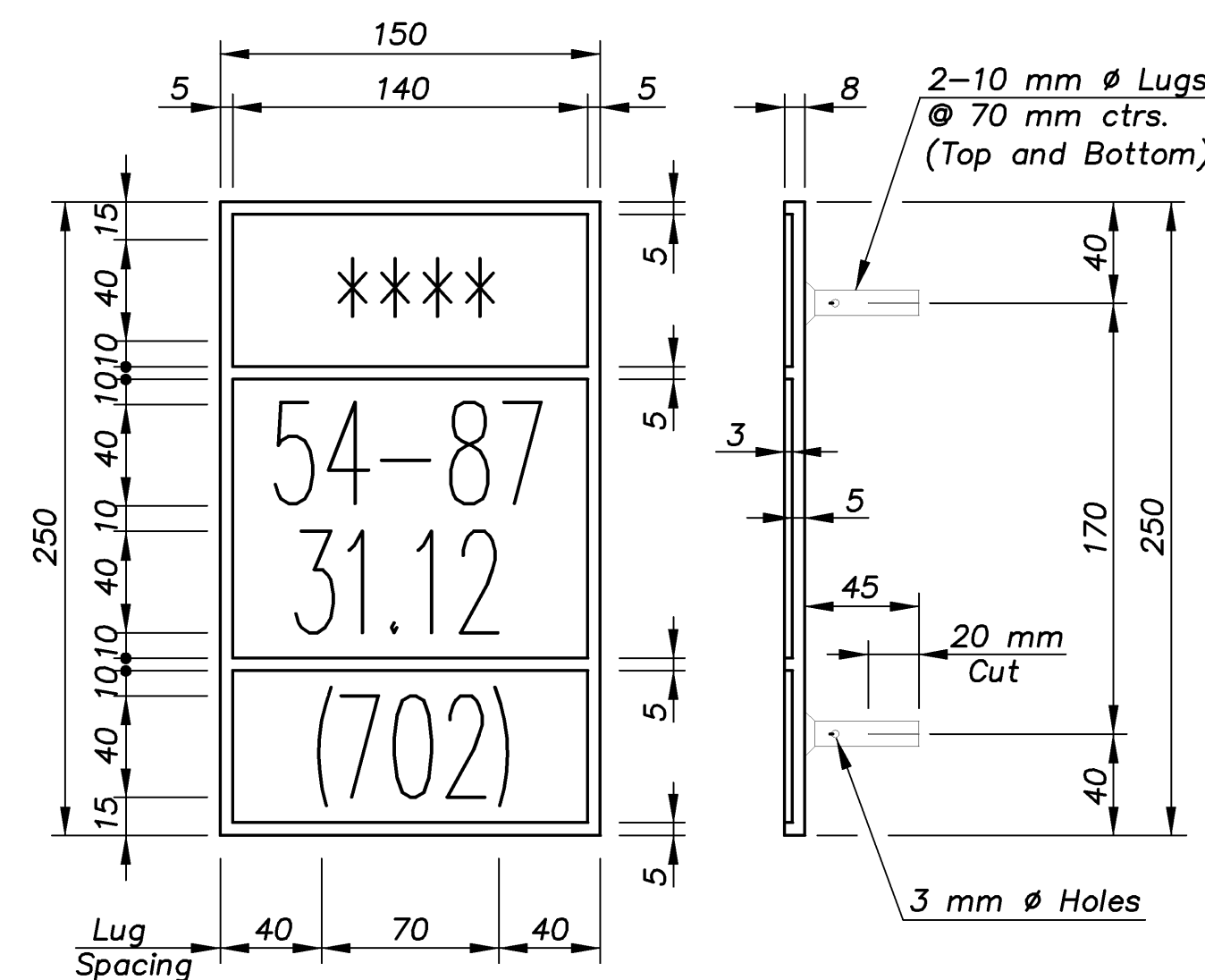
BM # 18 ~ "□" Cut Top of Curb @ N.N.E. ECR of a Business Entr. 61.0 m Rt. & 20.0 m W. of intersection of Kellogg & Rock Road 16.9 m Rt. Sta. 49+955.573 (Rock Road) Elev. 412.453

City of Wichita BM # 19 ~ Brass in Top of Concrete Mounment, 43.5 m N. & 16.5 m E. of intersection of Kellogg & Rock Rd. = City of Wichita Benchmark JFG 1973 Elev. 412.596  
 15.2 m Lt. @ Sta. 49+973.278 (Rock Road) Elev. 412.606

BM # 20 ~ "□" Cut Top of Curb @ N. End of Island Around the W. Eastgate Plaza Sign, 25.7 m S. of South Frontage Rd. 67.4m Rt. @ Sta. 4+041.023 (Kellogg) Elev. 410.338



**ABUTMENT EXCAVATION DETAIL**



\*\*\* Year Bridge is completed.

**BRIDGE NUMBER PLATE DETAIL**

NOTE: For location of Bridge Number Plate see "Construction Layout (Plan View)" sheet and "West Box Abutment No. 2" details.

KANSAS DEPARTMENT OF TRANSPORTATION  
 BR. NO. 54-87-31.12(702) STA. 3+877.518  
**CONSTRUCTION LAYOUT (ELEVATION VIEW)**  
 ROCK ROAD OVER KELLOGG AVENUE  
 Proj. No. 54-87 K-8258-01 SEDGWICK COUNTY

**CFS**  
 Cook, Flatt & Strobel  
 ENGINEERS, P. A.  
 DESIGNED R.S.C. SCALE 1:200  
 DETAILED T.R.G. DATE  
 QUANTITIES T.R.G. SHEET 2 OF 41