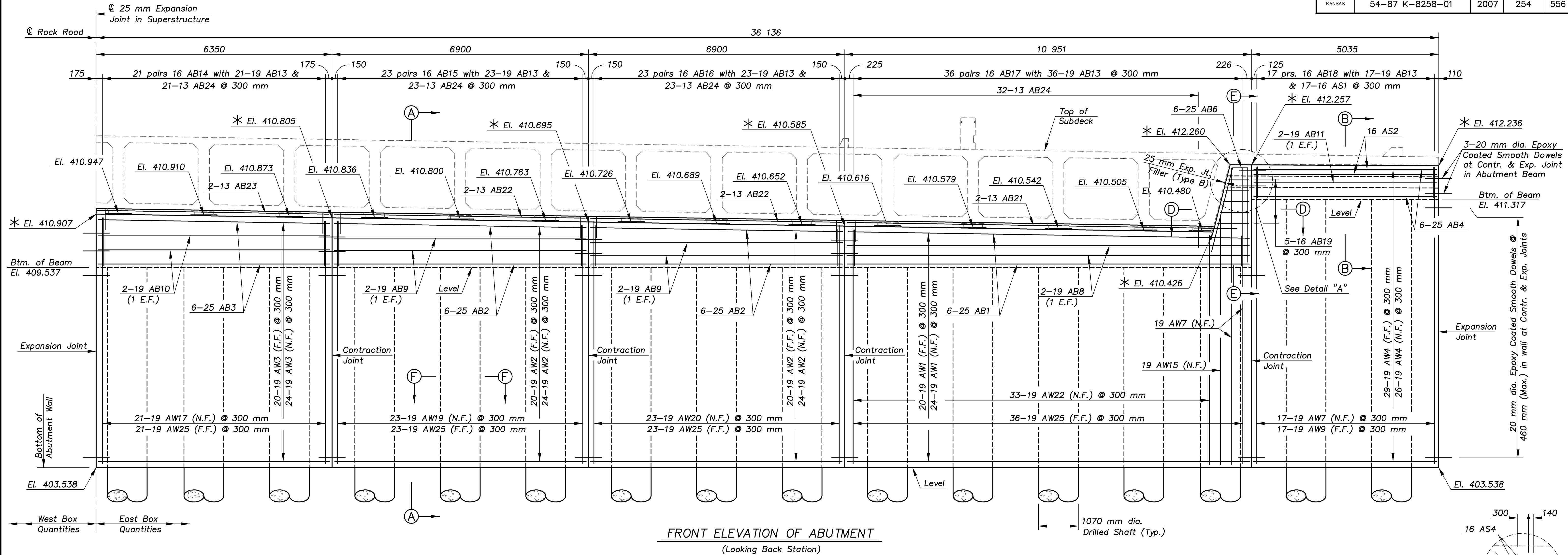


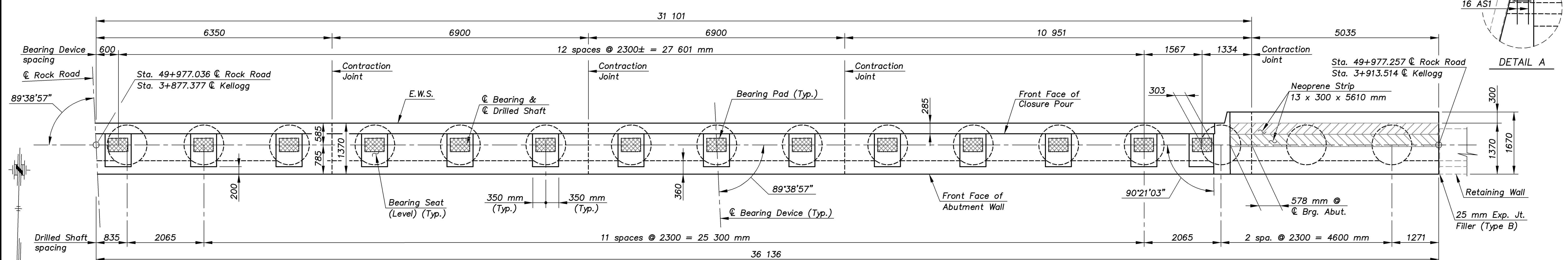
* Elevations shown are at the Front Face of Abutment Beam & Wall.

E.F. INDICATES EACH FACE.
N.F. INDICATES NEAR FACE.
F.F. INDICATES FAR FACE.

| STATE | PROJECT NO. | YEAR | SHEET NO. | TOTAL SHEETS |
|--------|-----------------|------|-----------|--------------|
| KANSAS | 54-87 K-8258-01 | 2007 | 254 | 556 |



FRONT ELEVATION OF ABUTMENT
(Looking Back Station)



PLAN VIEW OF ABUTMENT
(Superstructure not shown)

1:100
ROCK/ABUT

KANSAS DEPARTMENT OF TRANSPORTATION
BR. NO. 54-87-31.12(702) STA. 3+877.518

**EAST BOX
ABUTMENT NO. 1 DETAILS**
ROCK ROAD OVER KELLOGG AVENUE

Proj. No. 54-87 K-8258-01 SEDGWICK COUNTY

CFS
Cook, Flatt & Strobel
ENGINEERS, P. A.

| | | |
|------------|--------|---------------|
| DESIGNED | R.S.C. | SCALE |
| DETAILED | T.R.G. | DATE |
| QUANTITIES | T.R.G. | SHEET 8 OF 41 |