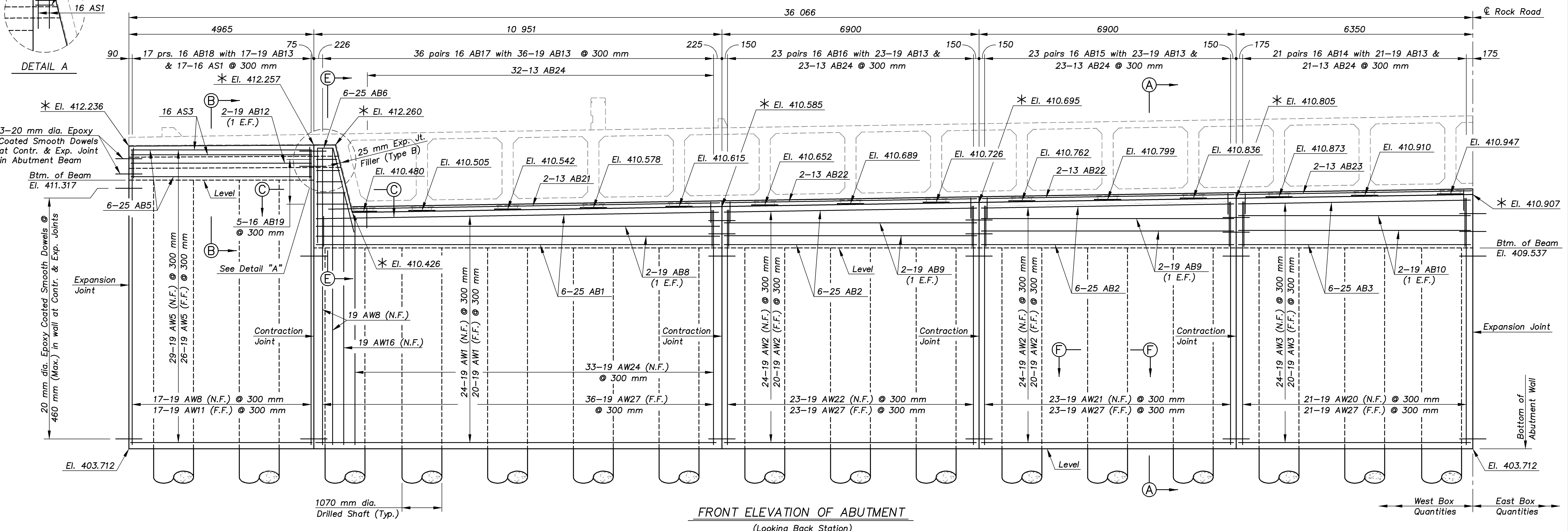


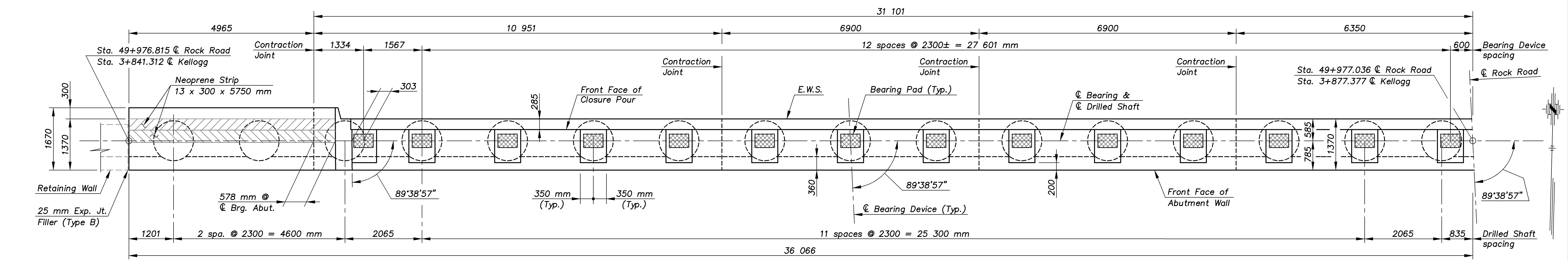
* Elevations shown are at the Front Face of Abutment Beam & Wall.

E.F. INDICATES EACH FACE.
N.F. INDICATES NEAR FACE.
F.F. INDICATES FAR FACE.

STATE	PROJECT NO.	YEAR	SHEET NO.	TOTAL SHEETS
KANSAS	54-87 K-8258-01	2007	255	556



FRONT ELEVATION OF ABUTMENT
(Looking Back Station)



PLAN VIEW OF ABUTMENT
(Superstructure not shown)

1:100

KANSAS DEPARTMENT OF TRANSPORTATION		
BR. NO. 54-87-31.12(702)	STA. 3+877.518	
WEST BOX ABUTMENT NO. 1 DETAILS ROCK ROAD OVER KELLOGG AVENUE		
DESIGNED R.S.C.	SCALE	Cook, Flatt & Strobel ENGINEERS, P. A.
DETAILED T.R.G.	DATE	
Proj. No. 54-87 K-8258-01	SEDGWICK COUNTY	