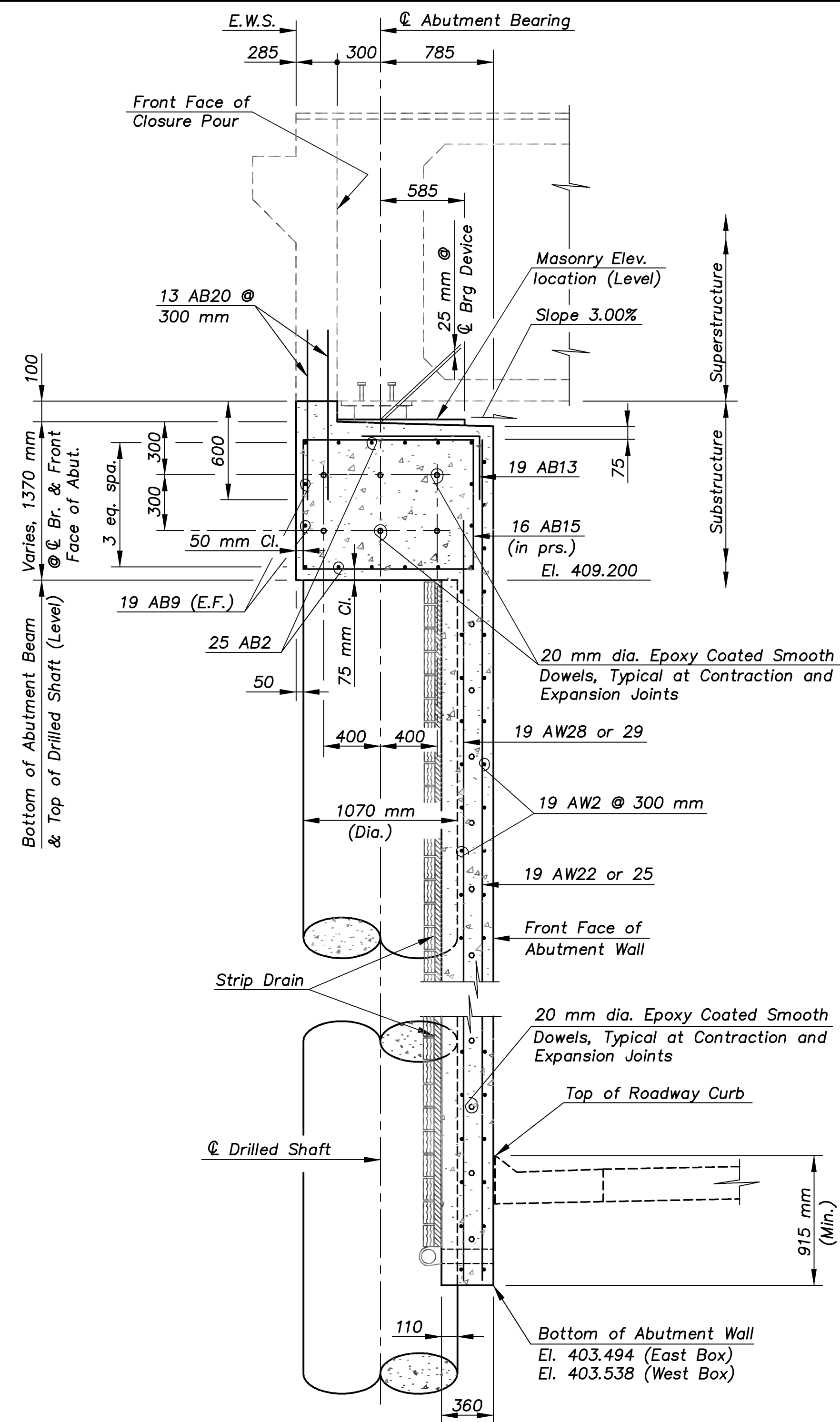


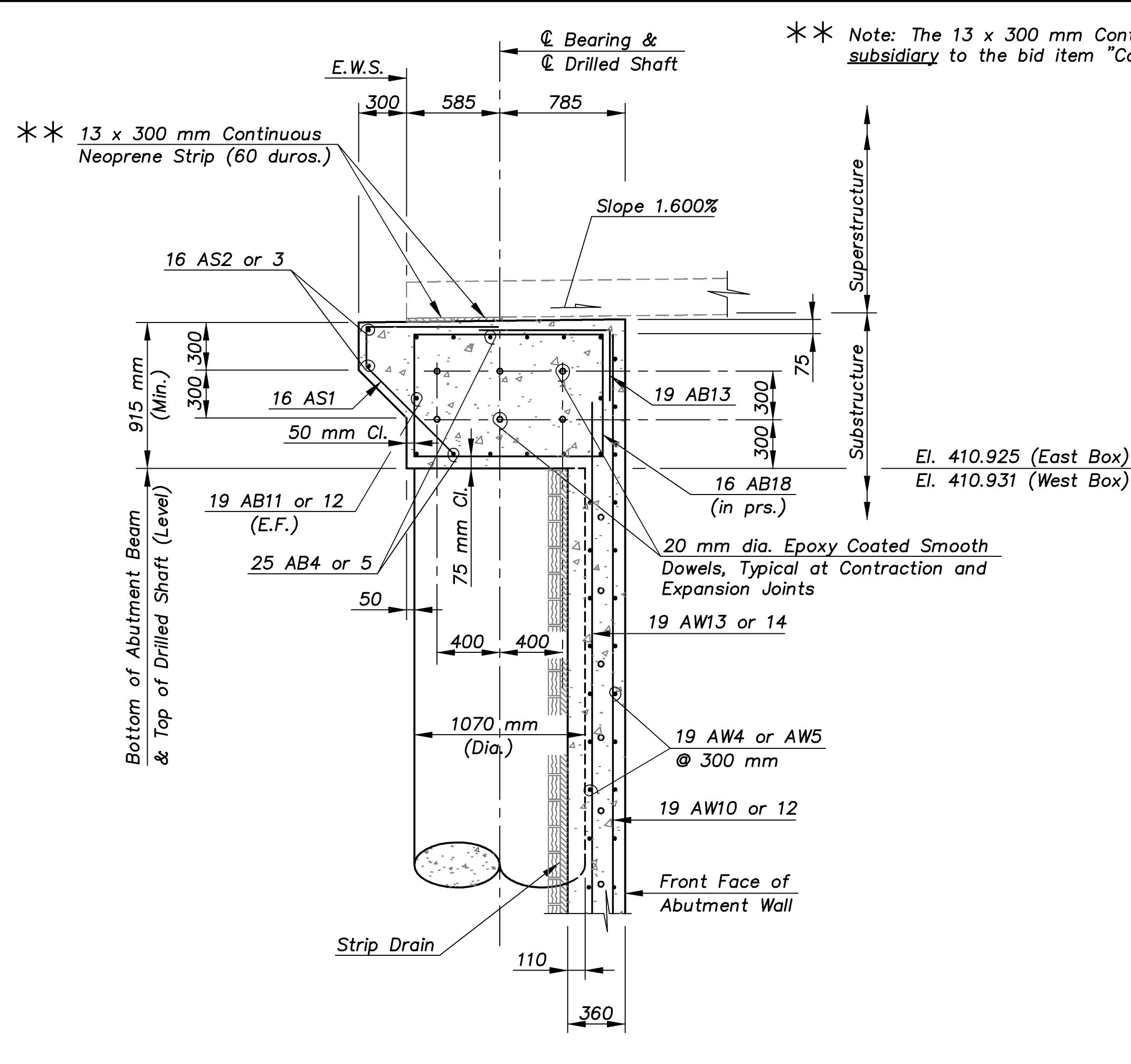
STATE	PROJECT NO.	YEAR	SHEET NO.	TOTAL SHEETS
KANSAS	54-87 K-8258-01	2007	259	556

E.F. INDICATES EACH FACE.  
N.F. INDICATES NEAR FACE.  
F.F. INDICATES FAR FACE.

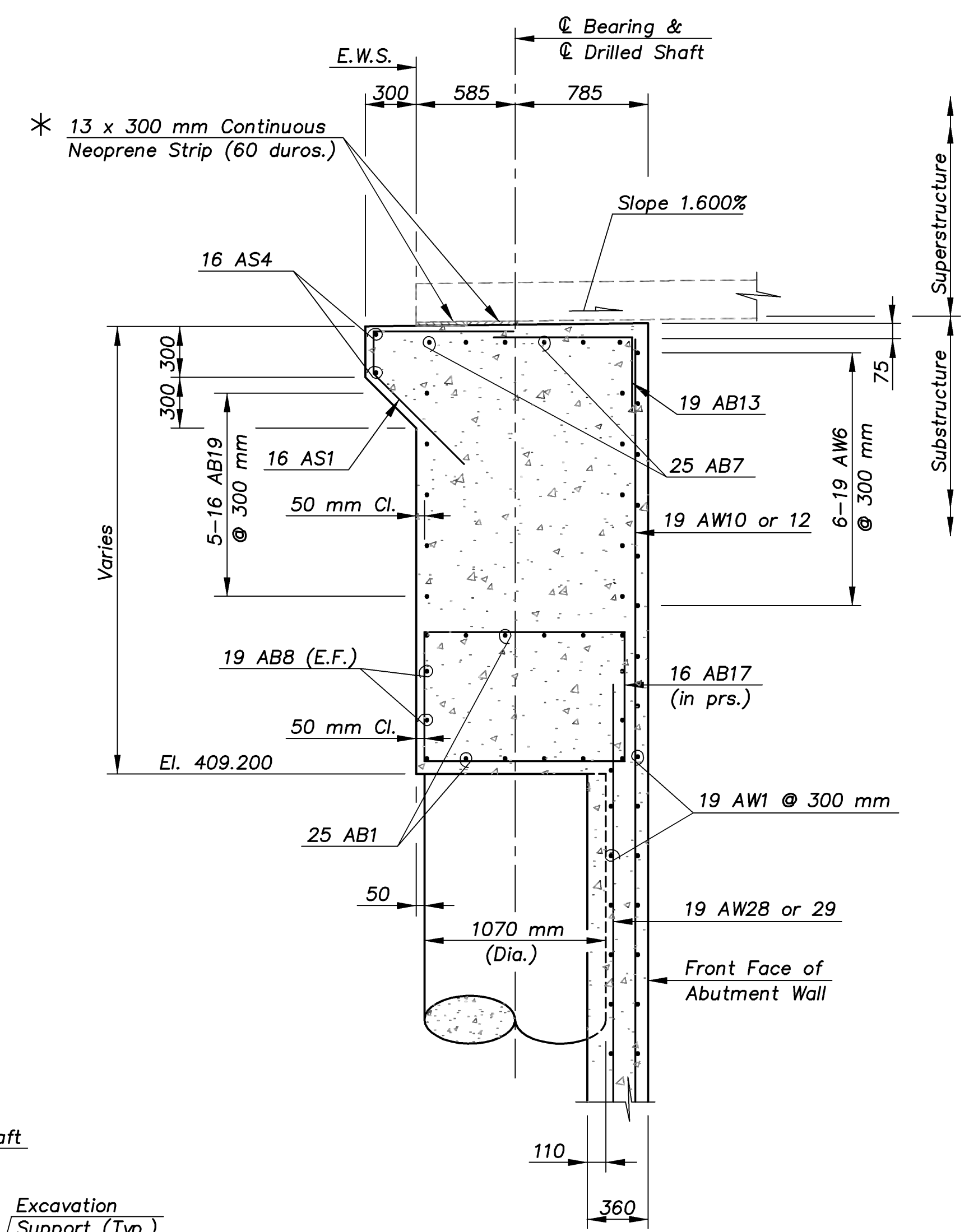
\*\* Note: The 13 x 300 mm Continuous Neoprene Strips shall be subsidiary to the bid item "Concrete Grade 35 (SF) (AE) (SA)".



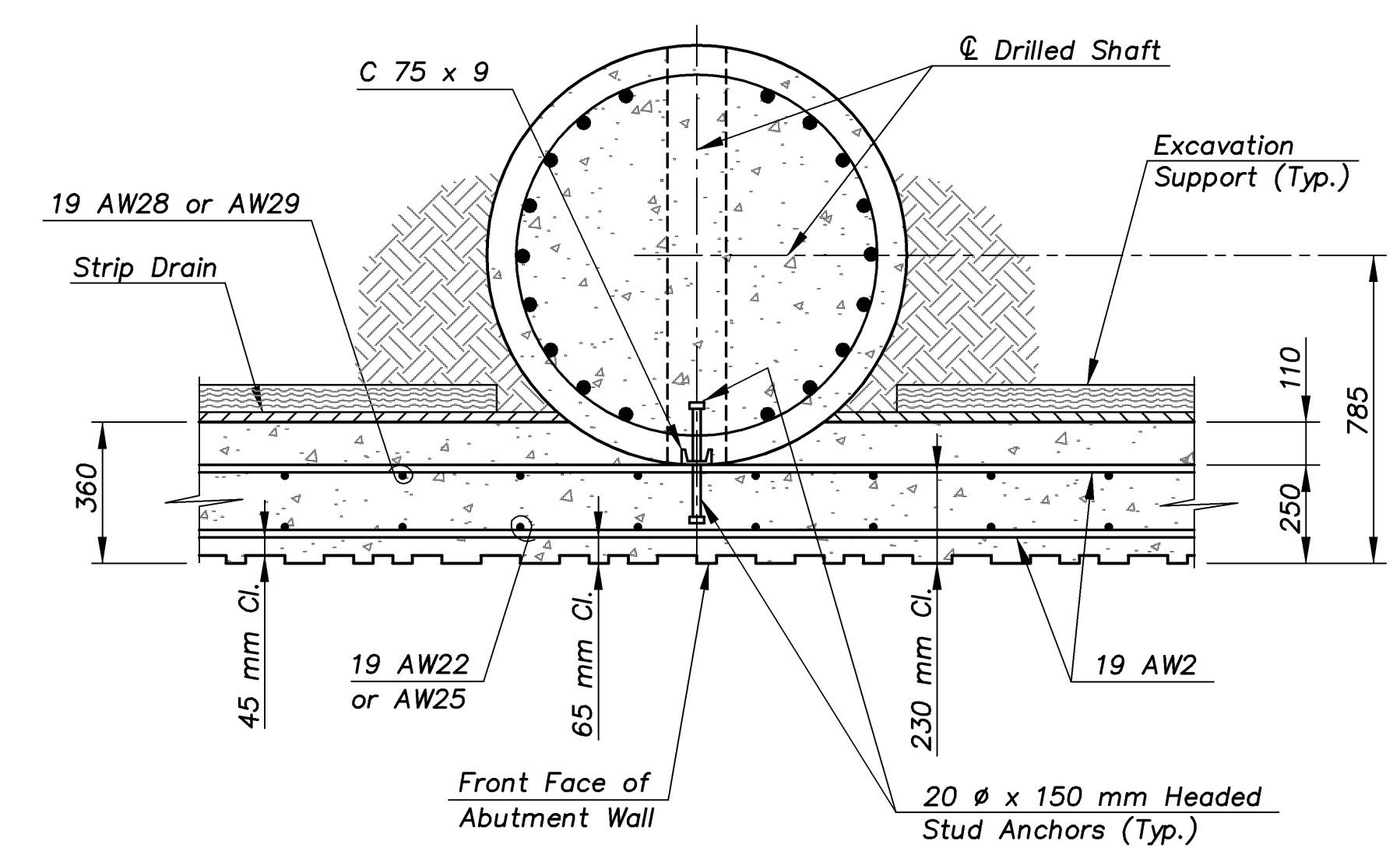
SECTION A-A



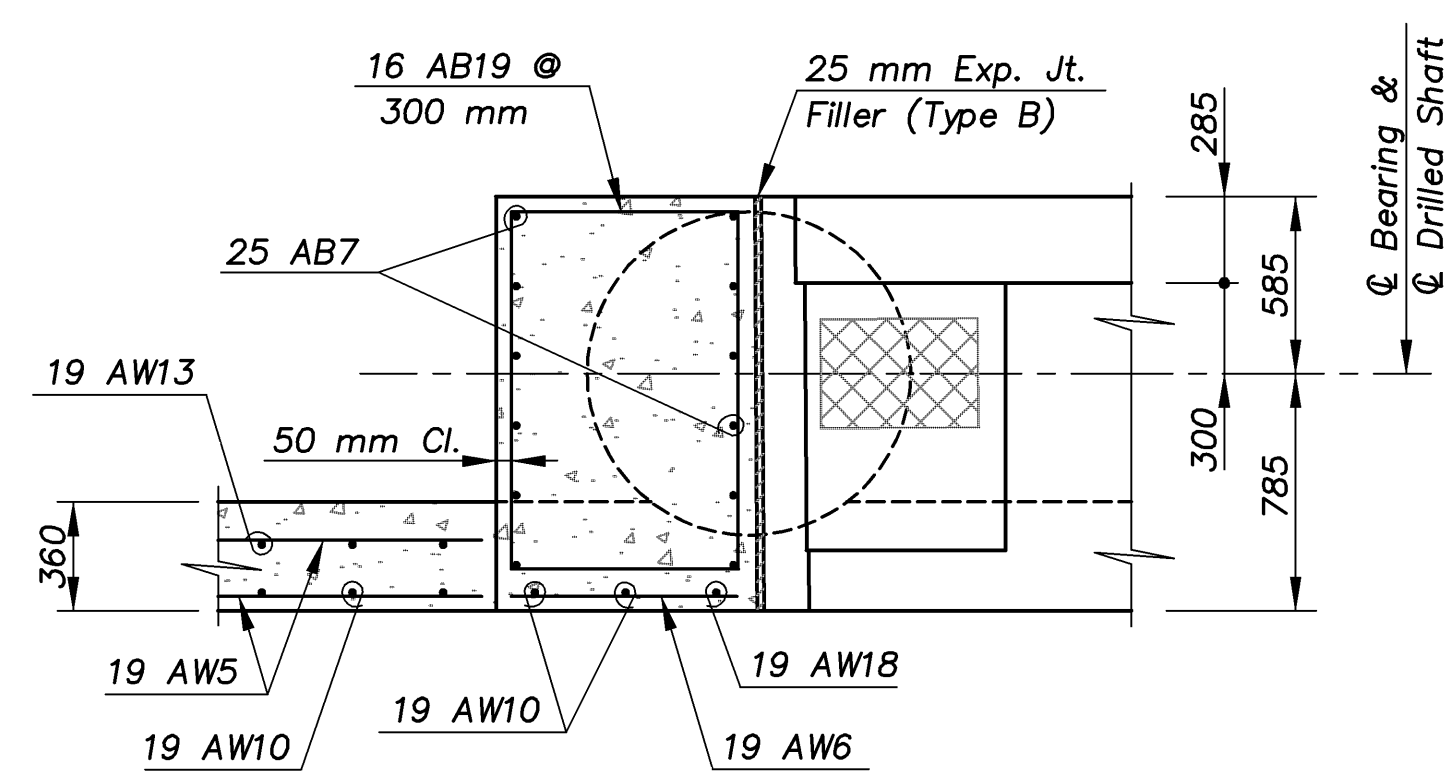
SECTION B-B



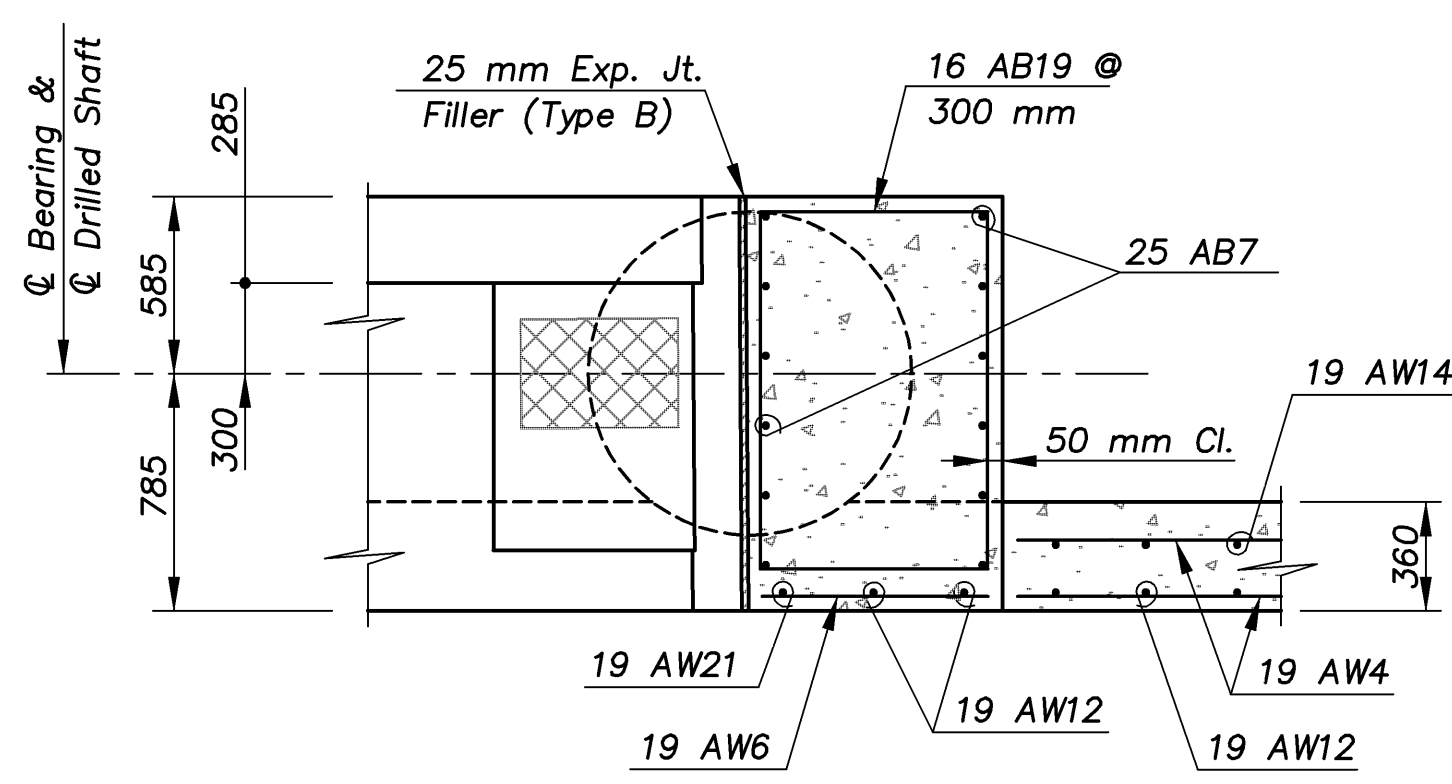
SECTION E-E



SECTION F-F



SECTION C-C



SECTION D-D

1:100  
ROCK/ABUT

KANSAS DEPARTMENT OF TRANSPORTATION		BR. NO. 54-87-31.12(702)		STA. 3+877.518	
<b>ABUTMENT NO. 2 DETAILS</b>					
ROCK ROAD OVER KELLOGG AVENUE					
Proj. No. 54-87 K-8258-01 SEDGWICK COUNTY					
<b>CFS</b> Cook, Flatt & Strobel ENGINEERS, P. A.		DESIGNED R.S.C.	SCALE	DATE	
		DETAILED T.R.G.	DATE	QUANTITIES T.R.G.	SHEET 13 OF 41