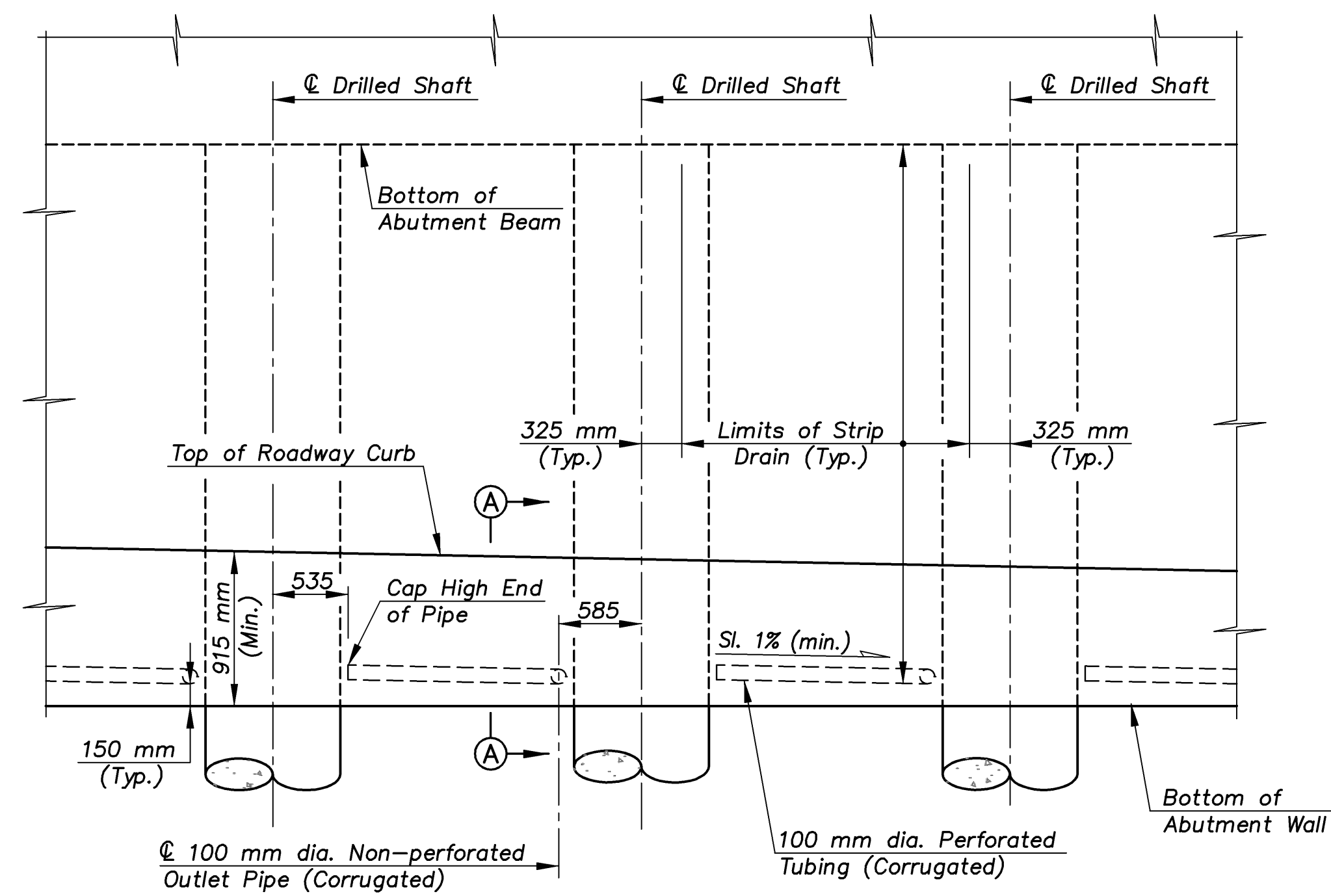
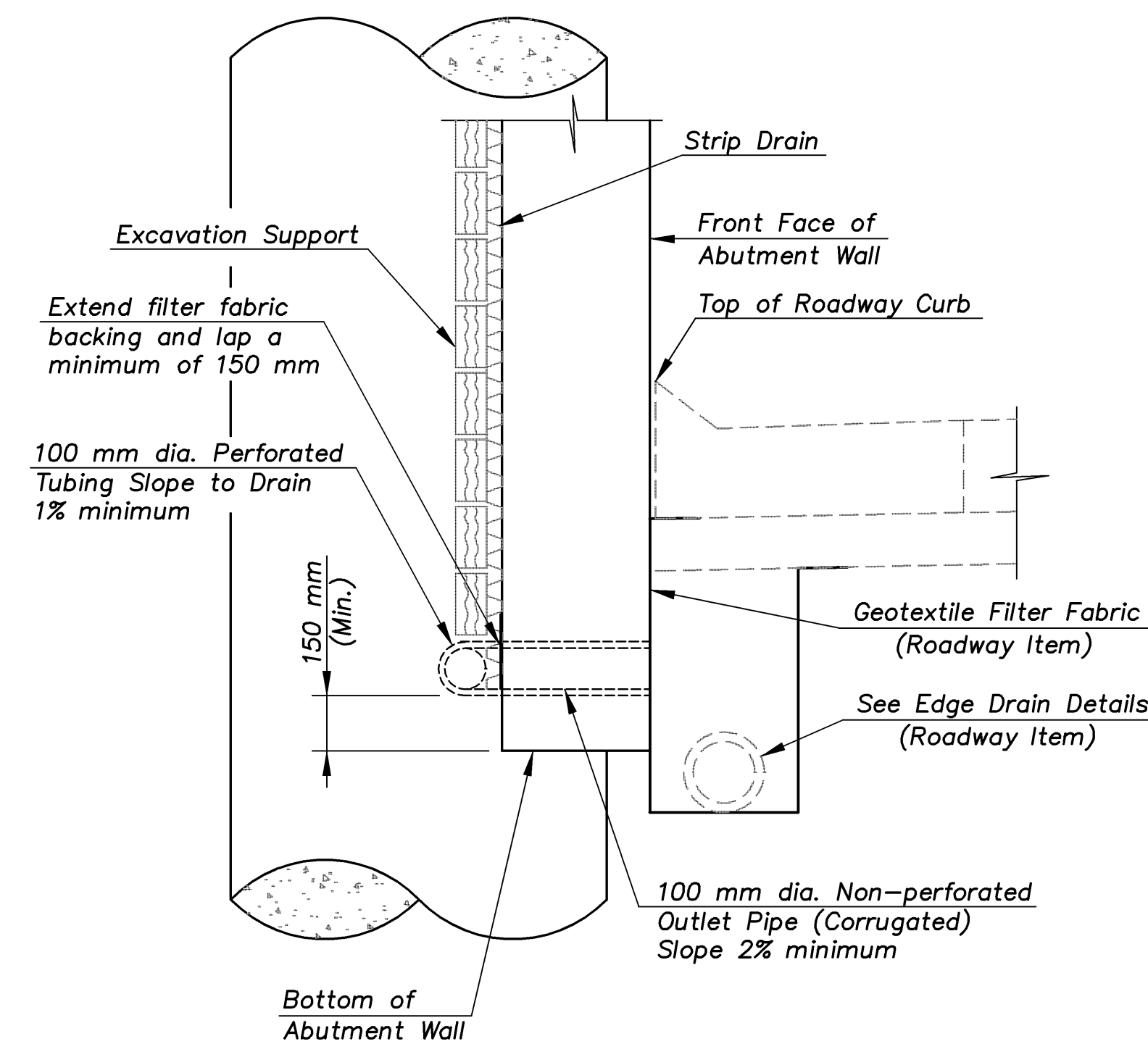


E.F. INDICATES EACH FACE.  
 N.F. INDICATES NEAR FACE.  
 F.F. INDICATES FAR FACE.

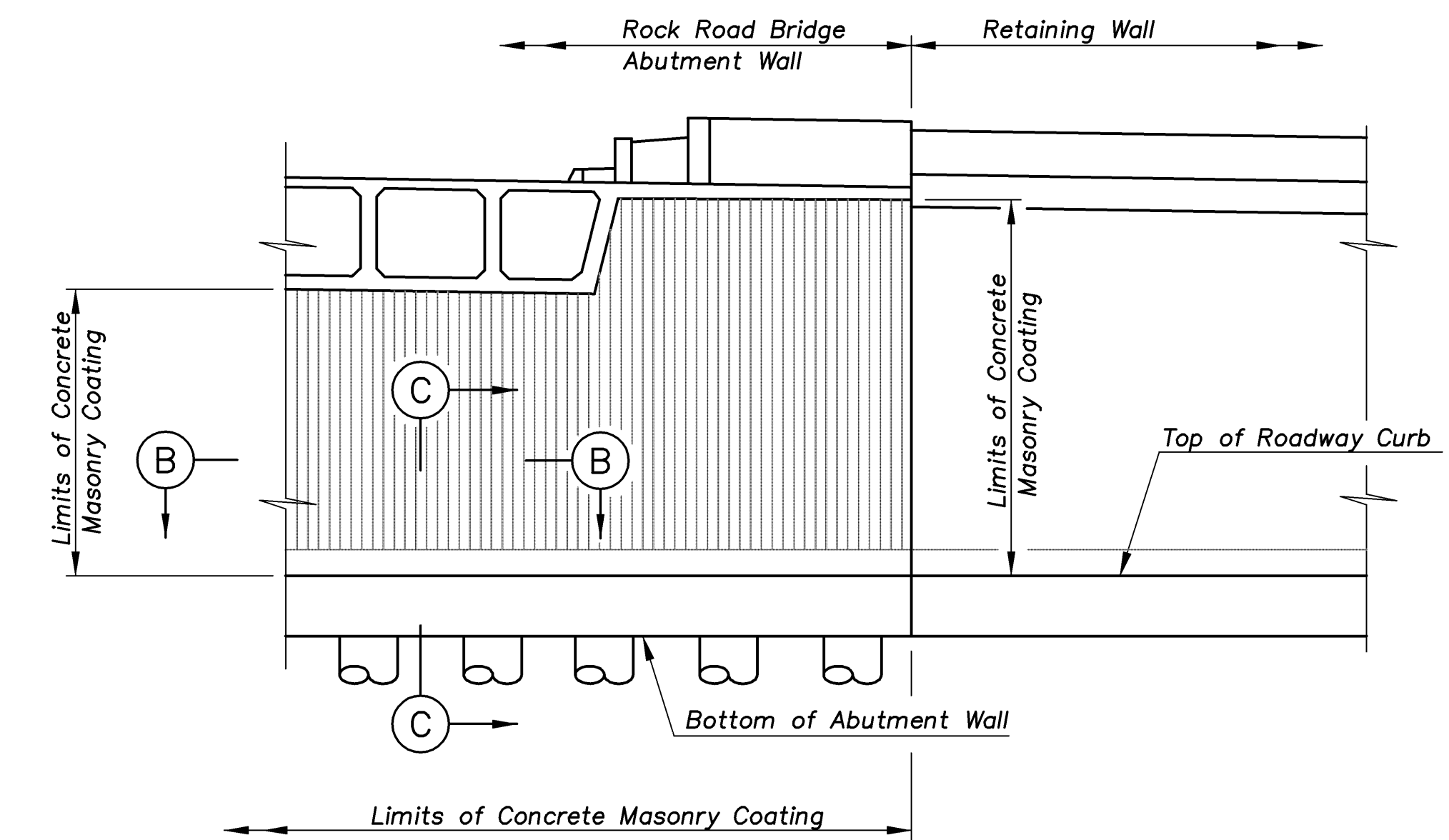
STATE	PROJECT NO.	YEAR	SHEET NO.	TOTAL SHEETS
KANSAS	54-87 K-8258-01	2007	260	556



**ABUTMENT WALL DRAINAGE DETAIL**



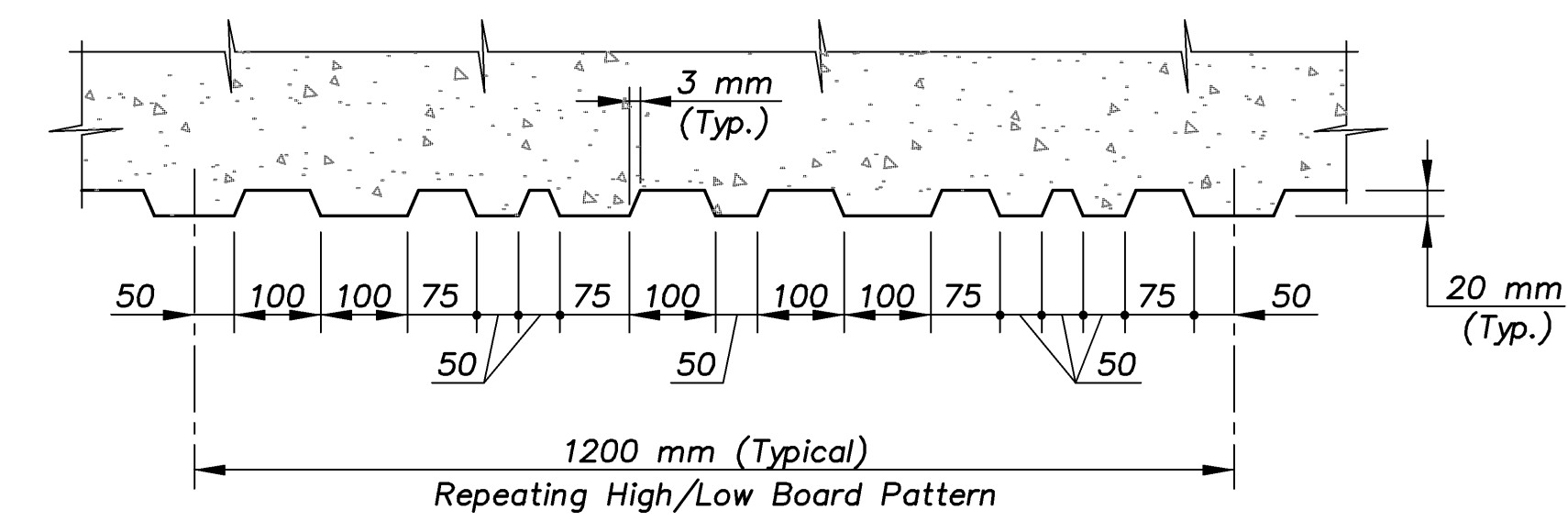
**SECTION A-A**



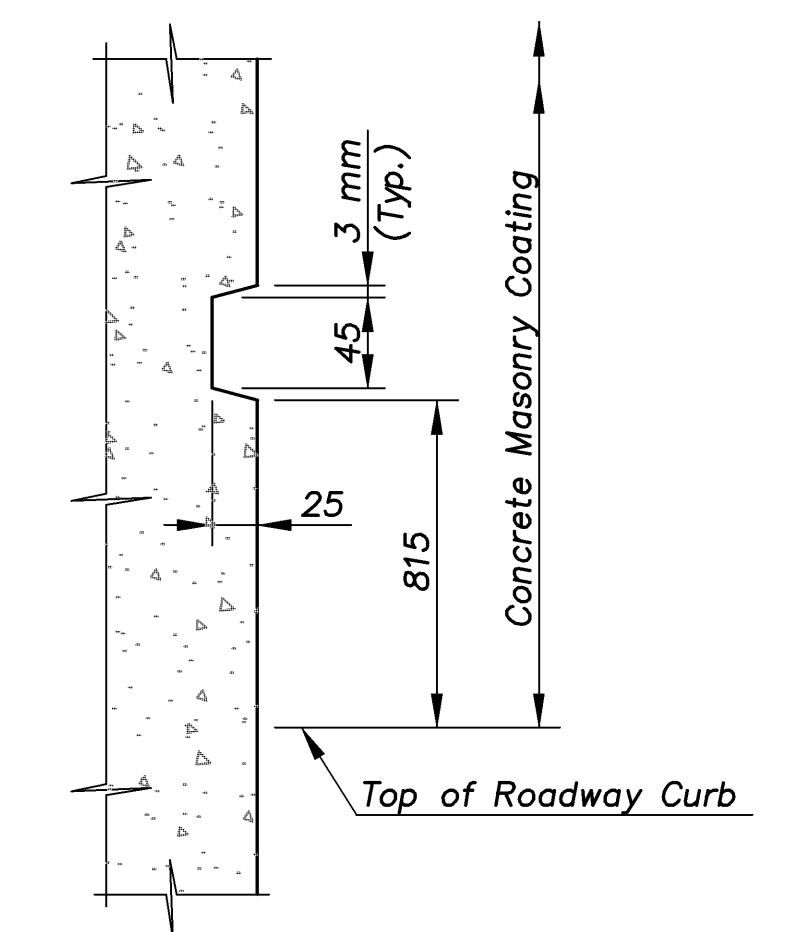
**PARTIAL ELEVATION OF ABUTMENT WALL SURFACE TREATMENT**

**WALL DRAINAGE NOTES:**

The Wall Contractor shall place the strip drain against the excavation support and place the perforated pipe and the outlet pipe.  
 Perforated pipe shall be placed next to the strip drain. Non-perforated pipe shall be used for the outlet pipes. Care shall be taken to enclose the perforated pipe with the extension of the filter fabric.  
 The Strip Drain material shall meet the requirements of the Special Provisions. Perforated pipe and non-perforated outlet pipe shall be corrugated polyethylene tubing and shall meet the requirements of KDOT Specifications.  
 Any overexcavation below the perforated pipe shall be backfilled with cohesive soil, Type C compaction.  
 Strip drain, perforated pipes, outlet pipes, and overexcavation backfill shall be included in the price bid for "Strip Drain".

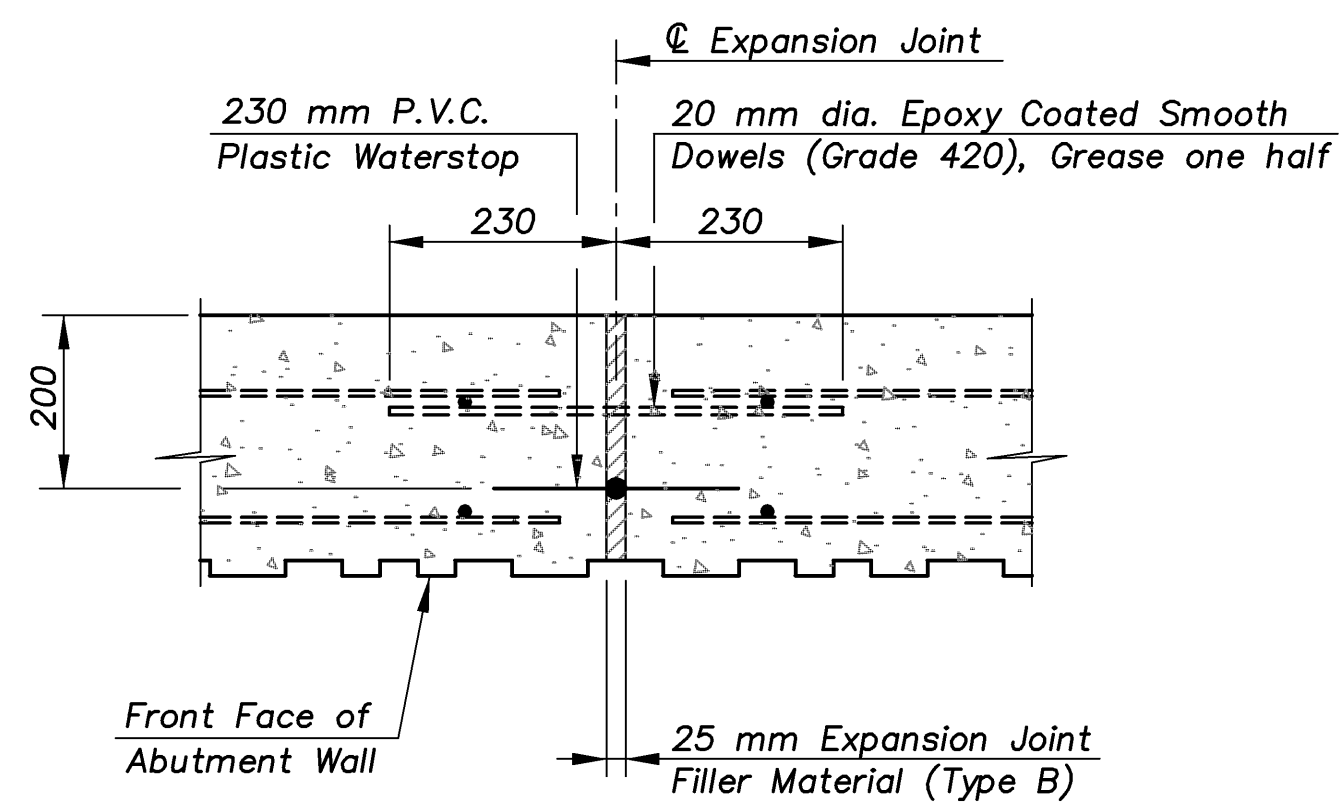


**SECTION B-B**

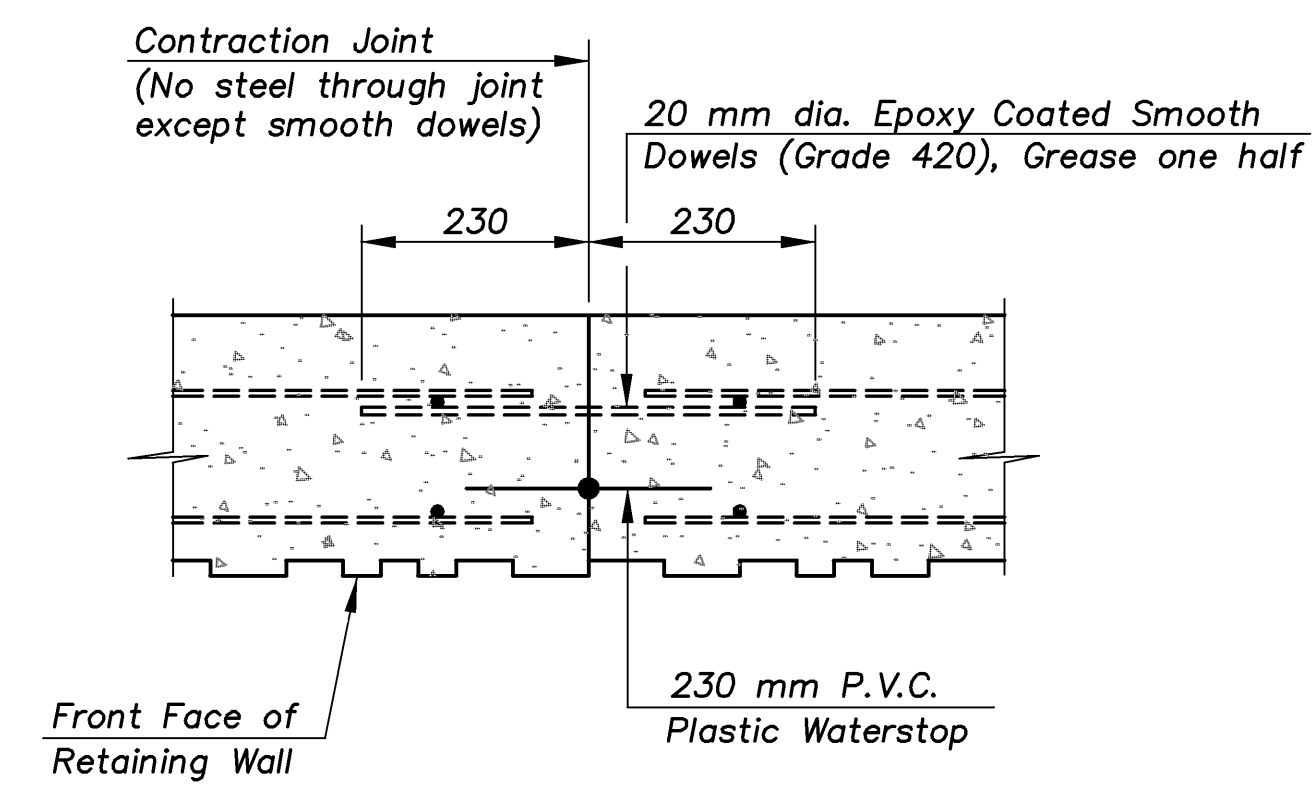


**SECTION C-C**

**NOTE: SEE TRAFFIC SIGNAL INSTALLATION PLANS FOR LOCATION AND PLACEMENT OF CONDUIT.**



**EXPANSION JOINT DETAIL**



**CONTRACTION JOINT DETAIL**

(A minimum of one day must elapse between placement of wall concrete on adjacent sides of contraction joint.)

**NOTE:** Expansion and Contraction Joints shall extend vertically from top of Abutment Beam to bottom of Abutment Wall Panel.

KANSAS DEPARTMENT OF TRANSPORTATION		BR. NO. 54-87-31.12(702)		STA. 3+877.518	
<b>ABUTMENT DETAILS</b>					
ROCK ROAD OVER KELLOGG AVENUE					
Proj. No. 54-87 K-8258-01		SEDGWICK COUNTY			
<b>CFS</b>		<b>Cook, Flatt &amp; Strobel</b> ENGINEERS, P. A.			
DESIGNED	R.S.C.	SCALE			
DETAILED	T.R.G.	DATE			
QUANTITIES	T.R.G.	SHEET	14 OF 41		

1:100

ROCK/ABUT