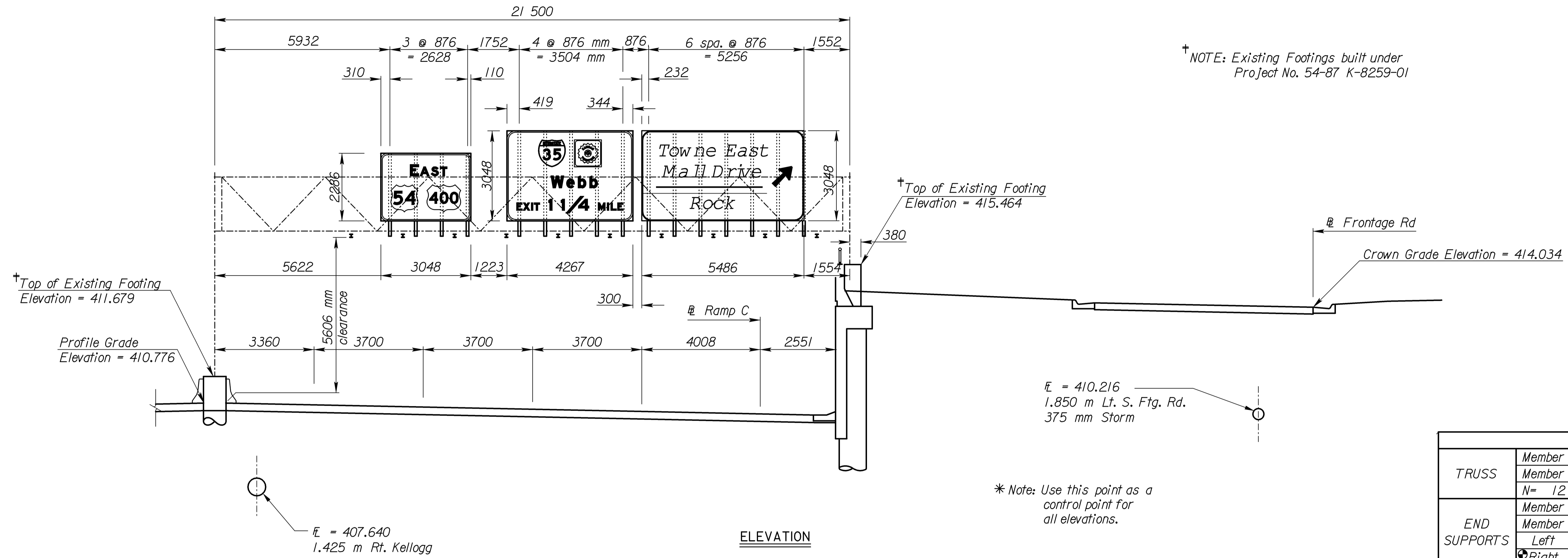


STATE	PROJECT NO.	YEAR	SHEET NO.	TOTAL SHEETS
KANSAS	54-87 K-8259-01	2007	449	556

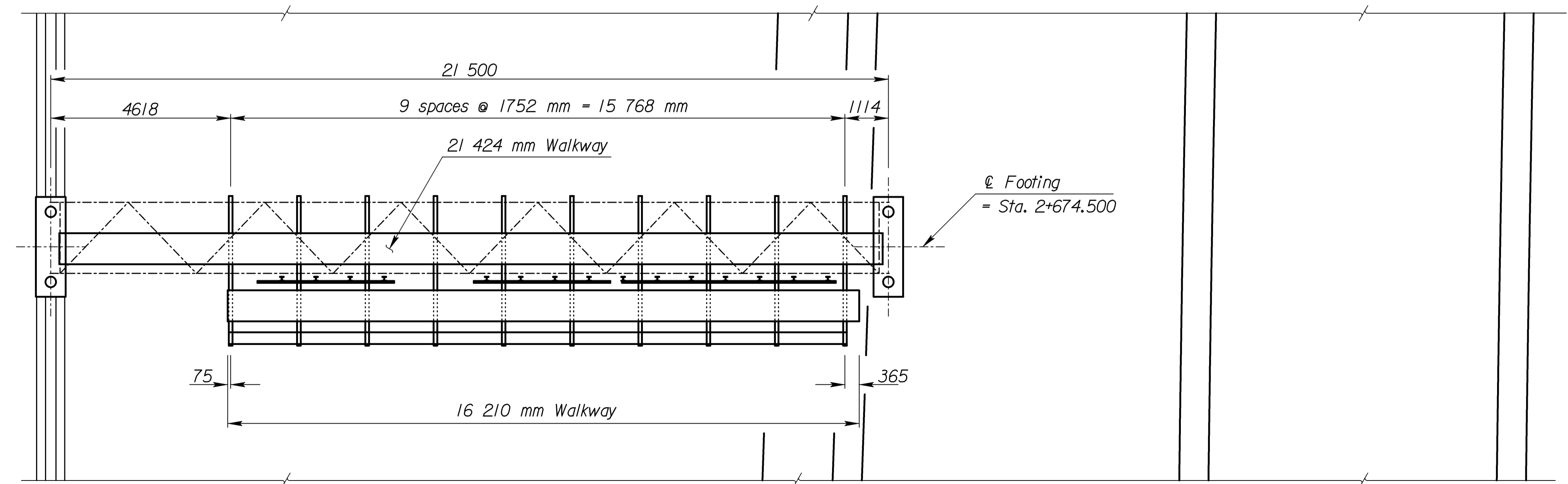


ELEVATION

STEEL DETAILS		
TRUSS	Member 1 Wall Thickness	5.56
	Member 2 Wall Thickness	5.16
	N = 12 X = 238 S = 1752 Camber = 28	
END SUPPORTS	Member 1 Wall Thickness	4.78
	Member 2 Wall Thickness	3.18
	Left N = 3 S = 1500 L = 6865	
Right N = - S = - L = 3080		
FOOTINGS	Left Type D Right Type SPECIAL	

* Note: Use this point as a control point for all elevations.

See "Steel Alternate Special End Support Detail" sheet.



PLAN

Scale 1:75

Plotted By: \$\$\$\$
 File: \$\$\$\$
 Plot Date: \$\$\$\$

3				
2				
1				
NO.	DATE	REVISIONS	BY	APP'D
KANSAS DEPARTMENT OF TRANSPORTATION				
EB US-54		STATION 2+674.500		
SPAN TYPE OVERHEAD SIGN STRUCTURE CONSTRUCTION LAYOUT STEEL ALTERNATE				
PROJ. NO. 54-87 K-8259-01			SEDGWICK CO.	
SHEET NO.	OF	SCALE	APP'D	
DESIGNED	SMB	DETAILED	SMB	QUANTITIES
DESIGN CK.	DETAIL CK.	QUAN. CK.	CADD CK.	