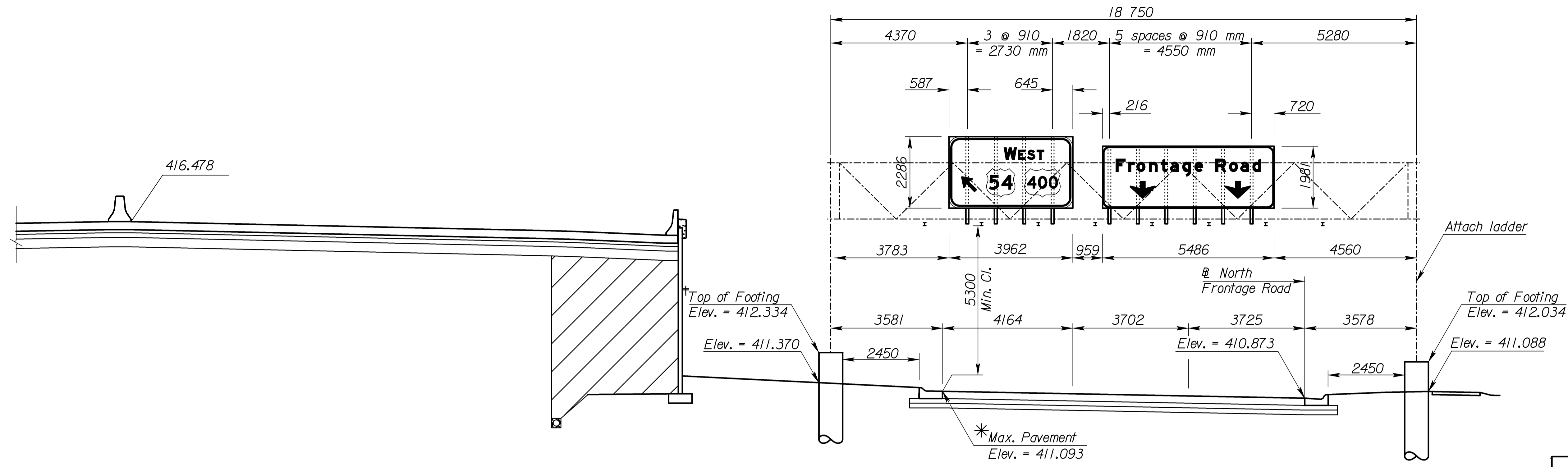


STATE	PROJECT NO.	YEAR	SHEET NO.	TOTAL SHEETS
KANSAS	54-87 K-8258-01	2007	450	556

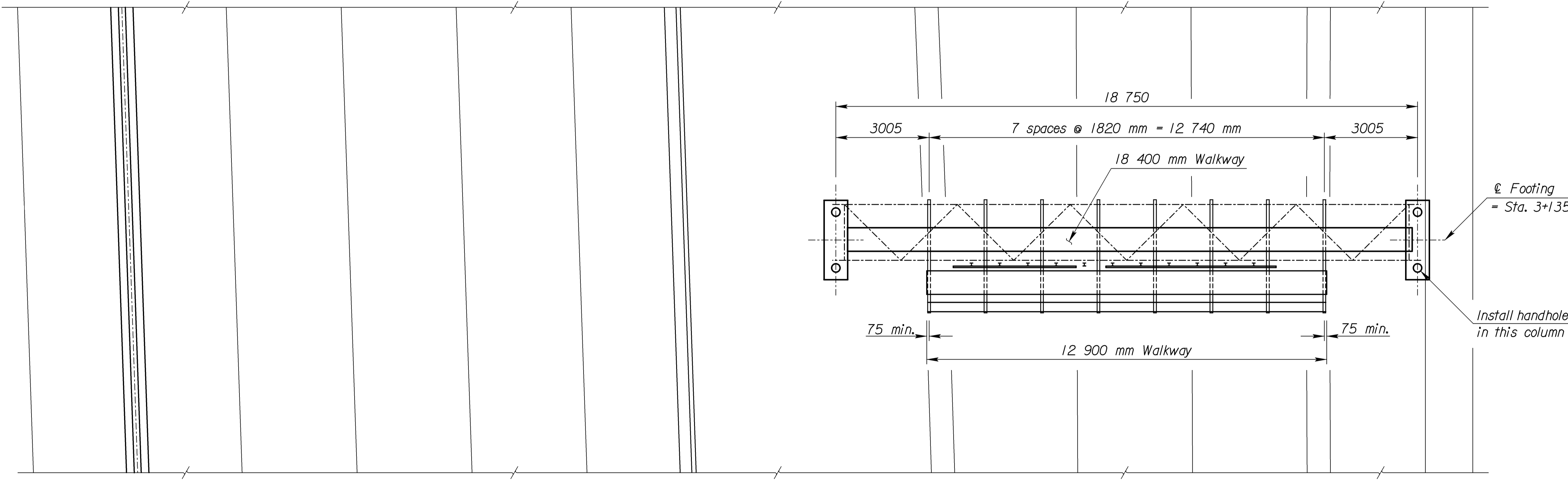


ELEVATION

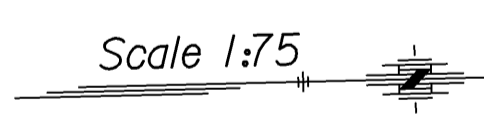
- †NOTES:
- 1.) "Left Type" footing shall be drilled shafts.
 - 2.) Install the "Left Type" footing before beginning wall construction in this area.

ALUMINUM DETAILS		
TRUSS	Member 1 Wall Thickness	3.76
	Member 2 Wall Thickness	3.05
	N = 10 X = 275 S = 1820 Camber = 24	
END SUPPORTS	Member 1 Wall Thickness	7.80
	Member 2 Wall Thickness	3.05
	Left N = 2 S = 1900 L = 6220	
	Right N = 2 S = 2050 L = 6520	
FOOTINGS	Left Type E Right Type E	

* Note: Use this point as a control point for all elevations.



PLAN



Plotted By: \$\$\$\$ USERNAME \$\$\$ Plot Location: \$\$\$\$ UNIT \$\$\$
 File: \$\$\$\$ DCNSPEC \$\$\$
 Plot Date: \$\$\$\$ STTIME \$\$\$

3				
2				
1				
NO.	DATE	REVISIONS	BY	APP'D
KANSAS DEPARTMENT OF TRANSPORTATION W.B. Frontage Road STATION 3+135 SPAN TYPE OVERHEAD SIGN STRUCTURE CONSTRUCTION LAYOUT ALUMINUM ALTERNATE PROJ. NO. 54-87 K-8258-01 SEDGWICK CO.				
SHEET NO.	OF	SCALE	APP'D	
DESIGNED	CEM	DETAILED	CEM	QUANTITIES
DESIGN CK.		DETAIL CK.		QUAN. CK.
			CADD	CEM
			CADD CK.	