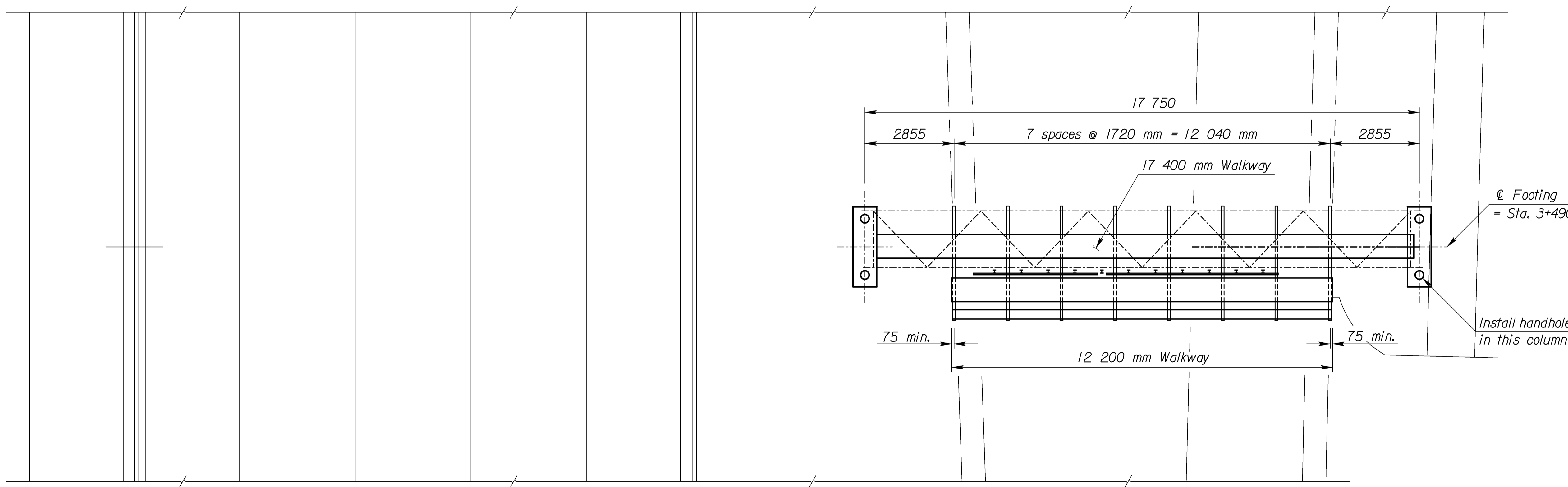


ALUMINUM DETAILS		
TRUSS	Member 1 Wall Thickness	3.76
	Member 2 Wall Thickness	3.05
	N = 10   X = 275   S = 1720   Camber = 23	
END SUPPORTS	Member 1 Wall Thickness	7.80
	Member 2 Wall Thickness	6.02
	Left   N = 2   S = 1900   L = 6220	
	Right   N = 2   S = 2050   L = 6520	
FOOTINGS	Left Type	E
	Right Type	E

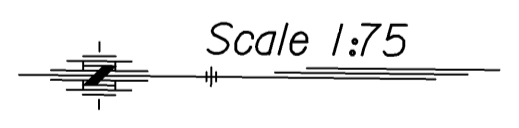
ELEVATION

\* Note: Use this point as a control point for all elevations.



PLAN

- † NOTES:
- 1.) "Left Type" footing shall be drilled shafts.
  - 2.) Install the "Left Type" footing before beginning wall construction in this area.



Plotted By: \$\$\$\$  
 File: \$\$\$\$  
 Plot Date: \$\$\$\$

3				
2				
1				
NO.	DATE	REVISIONS	BY	APP'D
<b>KANSAS DEPARTMENT OF TRANSPORTATION</b> <b>E.B. Frontage Road STATION 3+450</b> <b>SPAN TYPE OVERHEAD SIGN STRUCTURE</b> <b>CONSTRUCTION LAYOUT</b> <b>ALUMINUM ALTERNATE</b> <b>PROJ. NO. 54-87 K-8258-01 SEDGWICK CO.</b>				
SHEET NO.	OF	SCALE	APP'D	
DESIGNED	CEM	DETAILED	SMB	QUANTITIES
DESIGN CK.	DETAIL CK.	QUAN. CK.	CADD	CK.