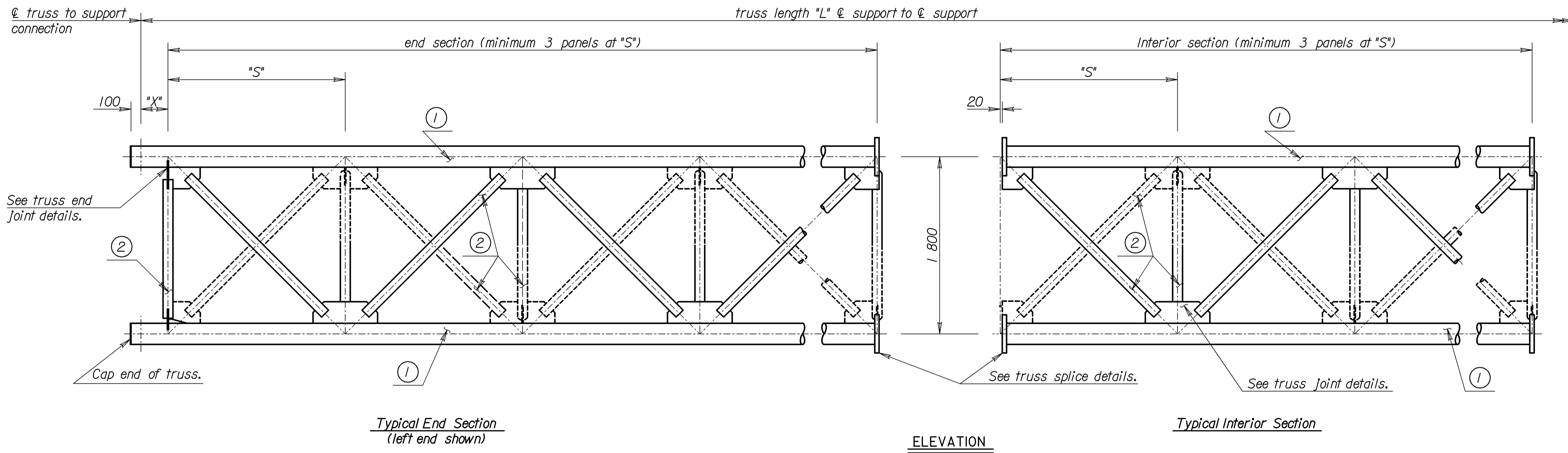
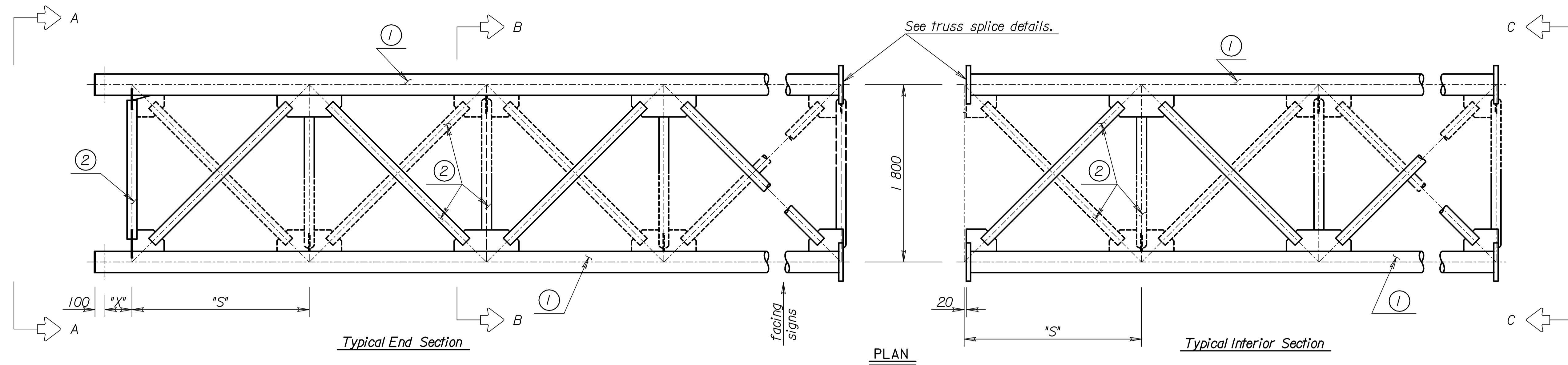
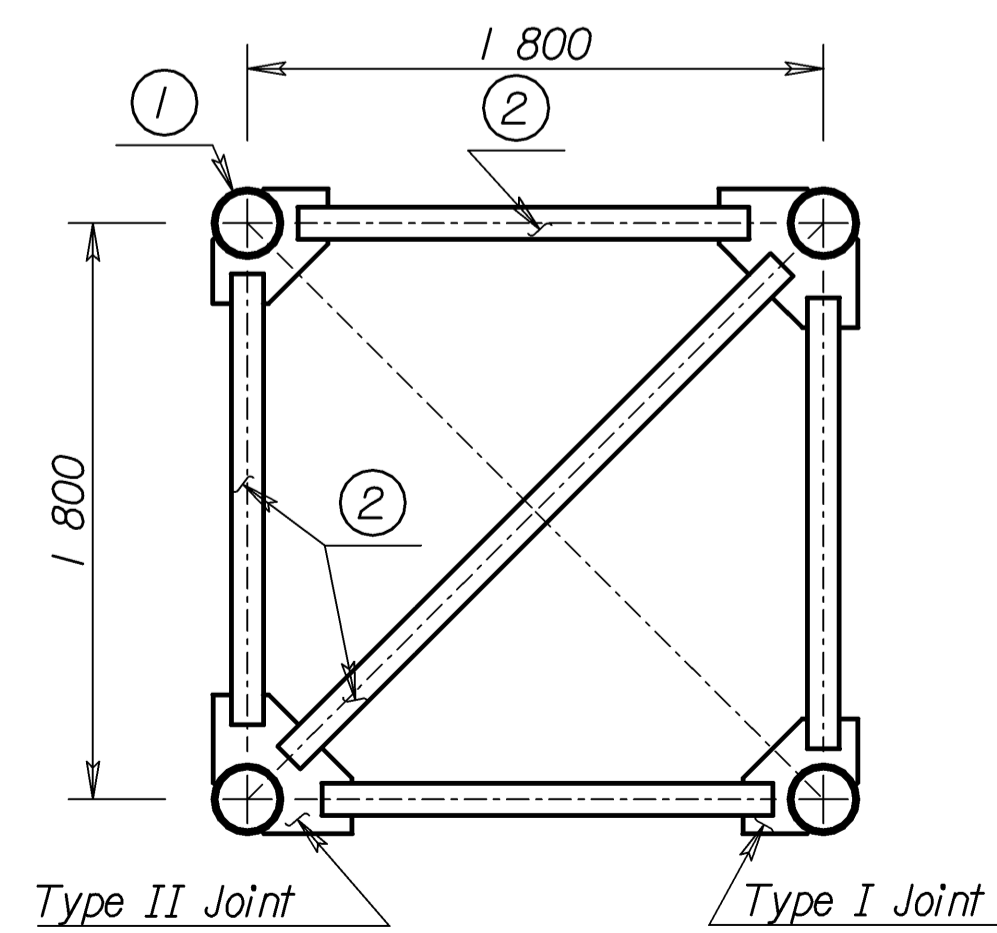


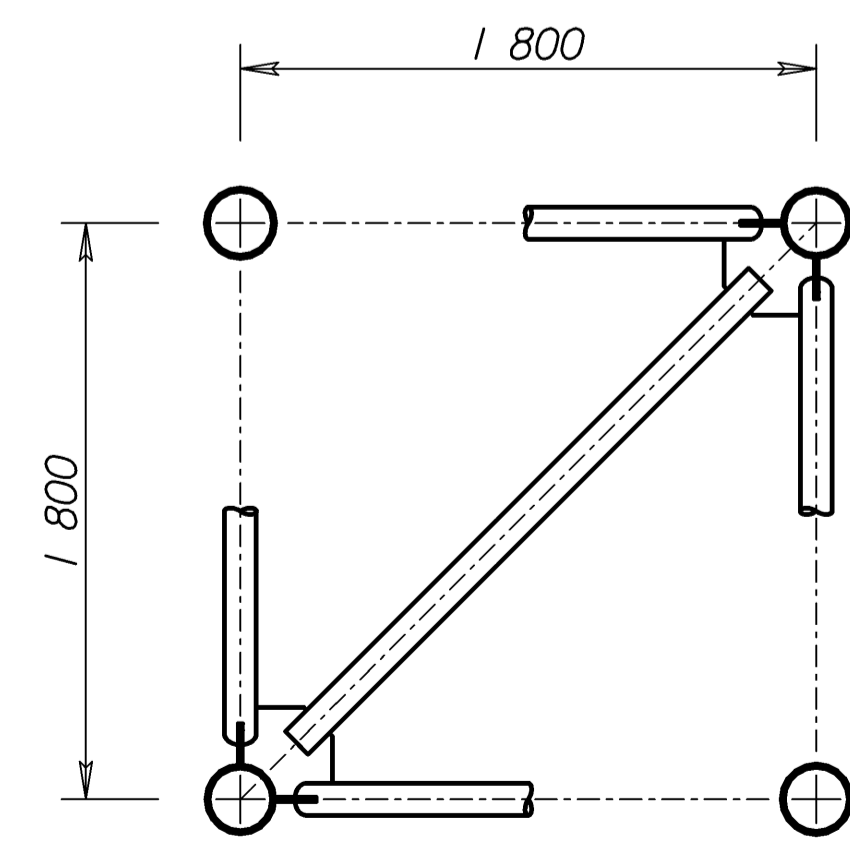
STATE	PROJECT NO.	YEAR	SHEET NO.	TOTAL SHEETS
KANSAS	54-87 K-8258-01	2007	462	556



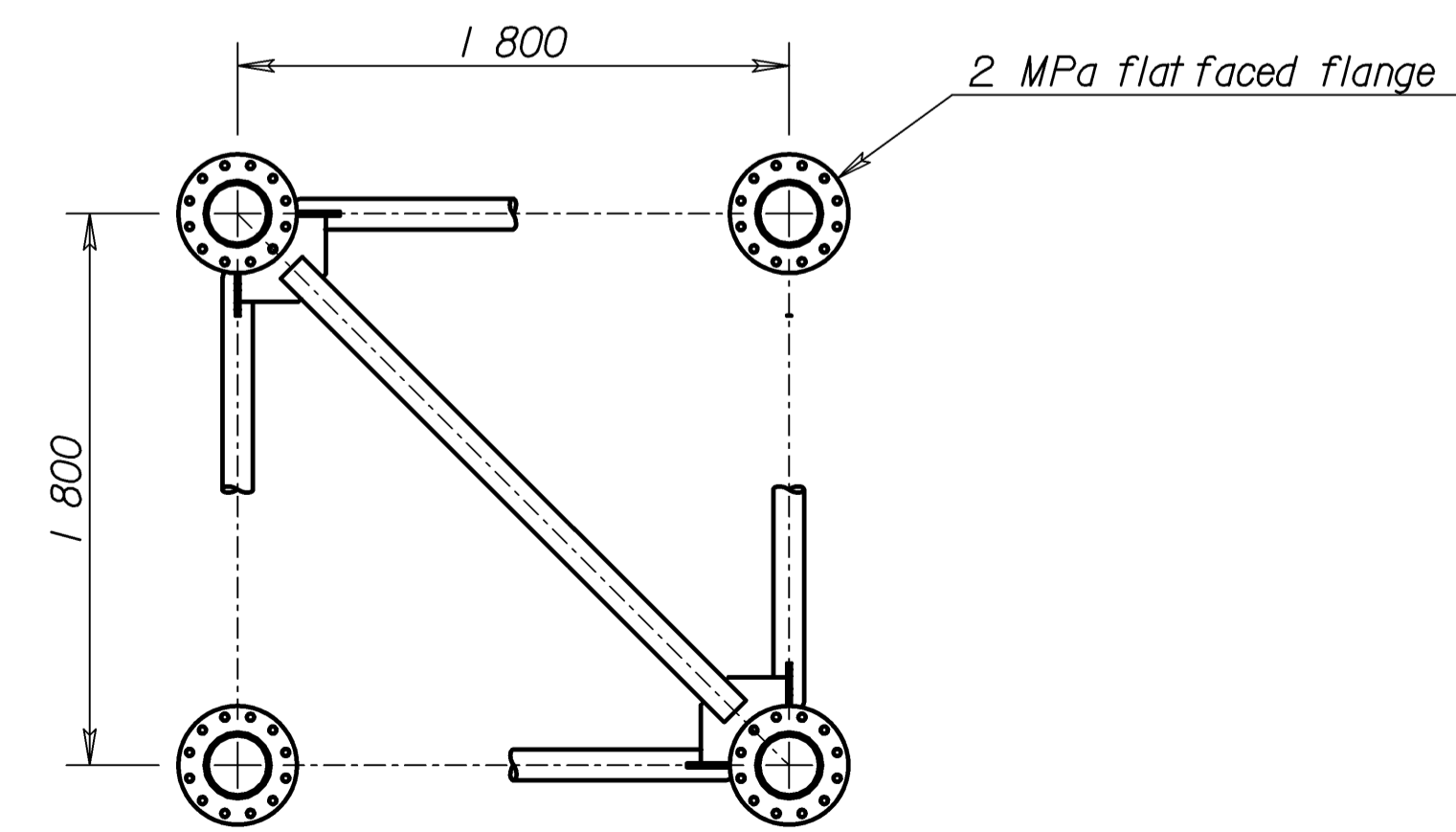
Note: Dashed lines, in plan and elevation views, represent the bottom or rear portions of member (2).



SECTION A-A  
See truss end joint details.



SECTION B-B  
See truss joint details.



SECTION C-C  
See truss splice details.

Note: See "Construction Layout" for wall thickness, "N", "S", "L" and "X" dimensions.

- Member (1) is 219 mm O.D. pipe.
- Member (2) is 102 mm O.D. pipe.

Std. Base File: sl151bsi.dgn - Plot 3  
 Plotted By: \$\$\$\$  
 File: \$\$\$\$  
 Plot Date: \$\$\$\$

NO.	DATE	REVISIONS	BY	APP'D
<b>KANSAS DEPARTMENT OF TRANSPORTATION</b> STANDARD STRUCTURAL SIGN SUPPORTS SPAN TYPE OVERHEAD ALUMINUM ALTERNATE TRUSS FRAMING PLAN AND DETAILS SL151B-03 SI				
DESIGNED	BFM	DETAILED	DDP	QUANTITIES
DESIGN CK.	RDH	DETAIL CK.	RDH	QUAN. CK.
APPROVAL	4-10-97	APP'D	Kenneth F. Hurst	
			CADD	DJE
			CADD	LES