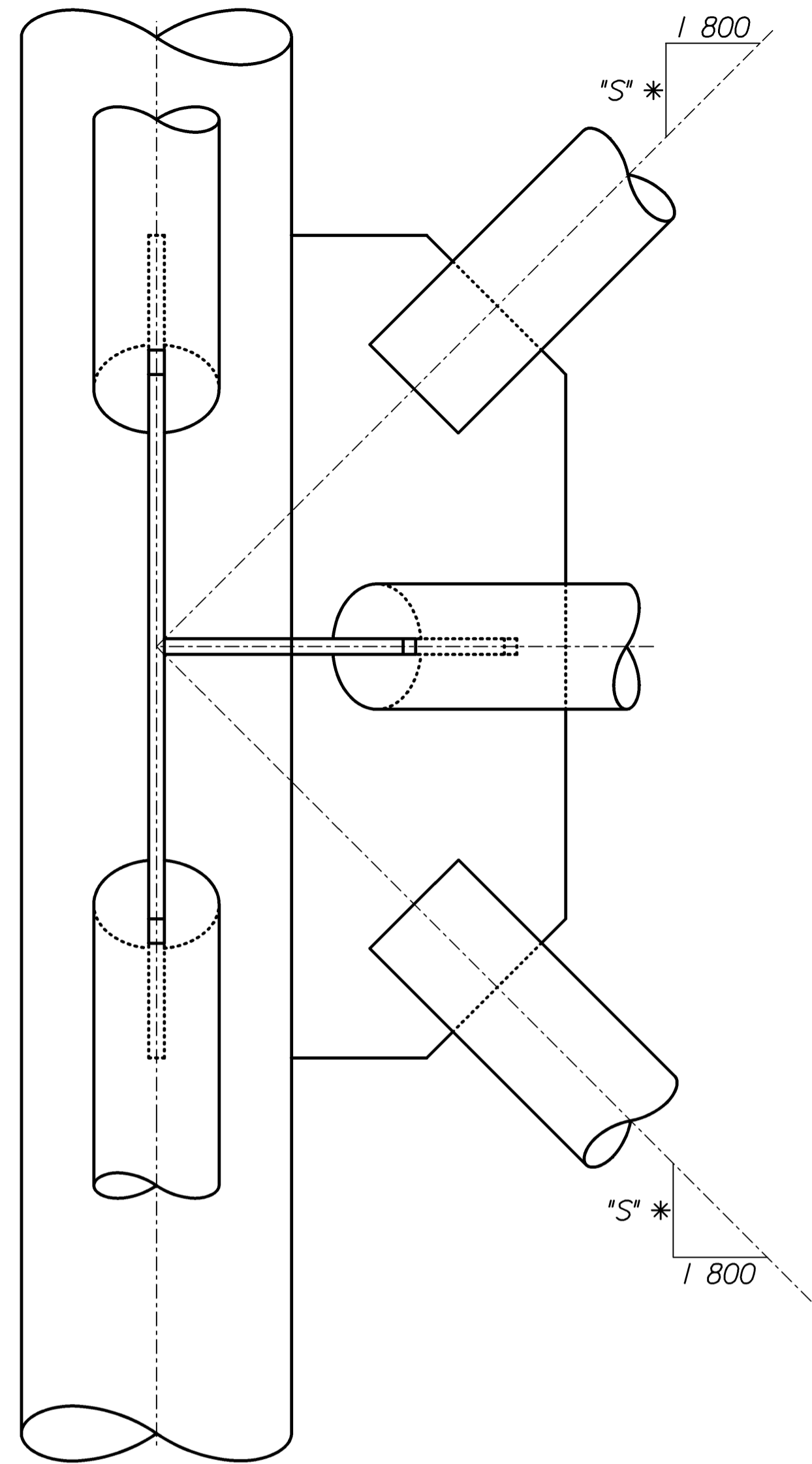
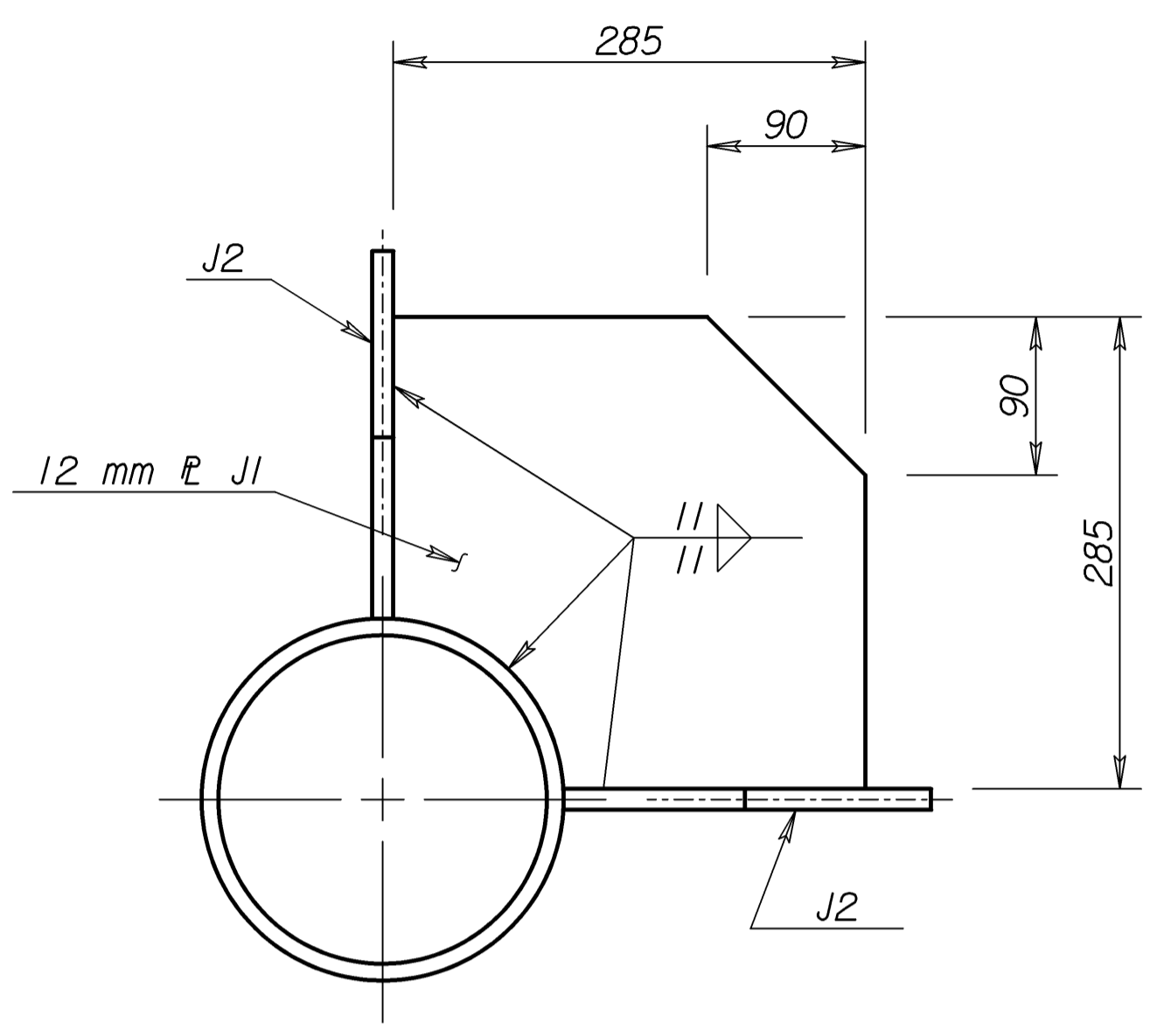


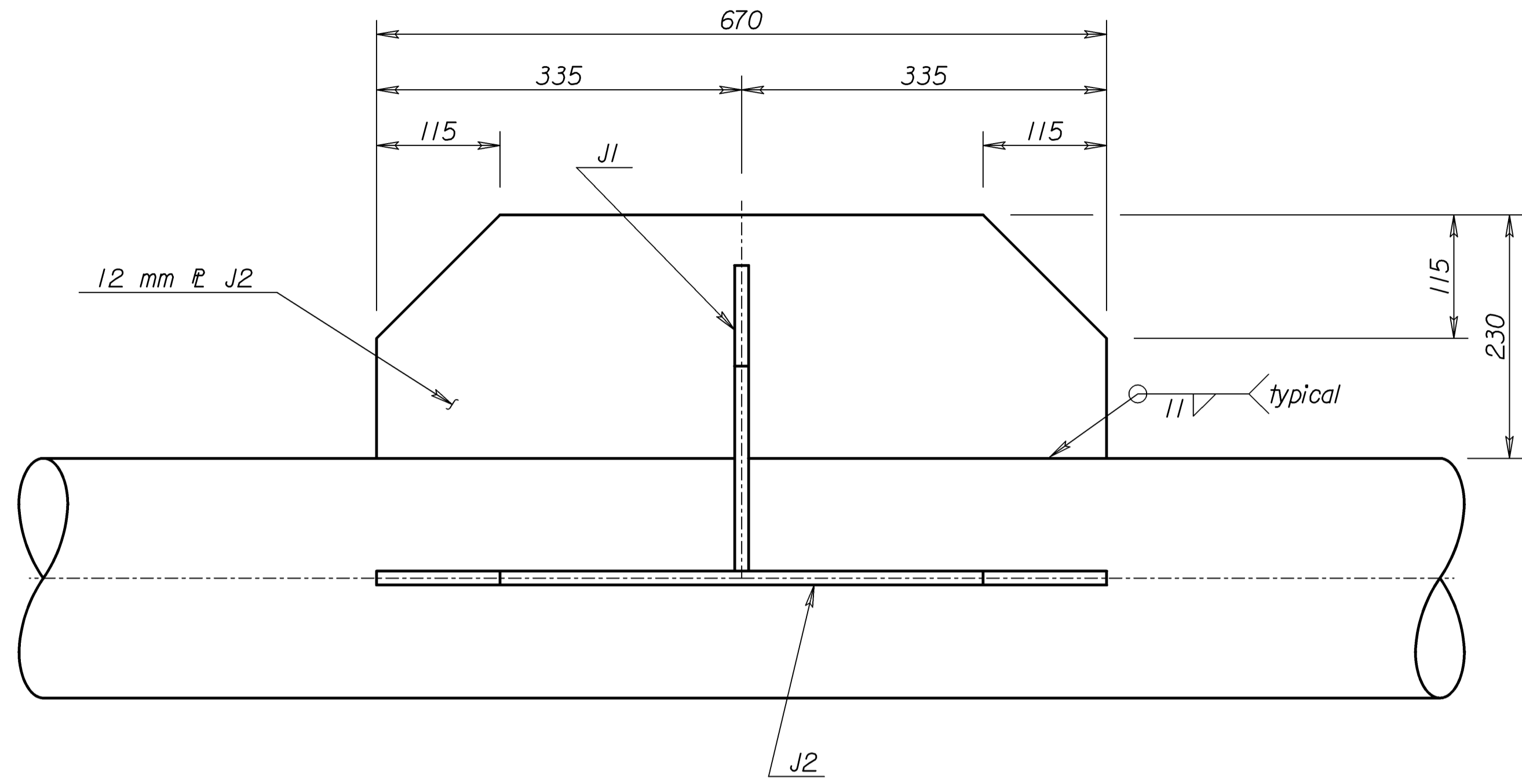
STATE	PROJECT NO.	YEAR	SHEET NO.	TOTAL SHEETS
KANSAS	54-87 K-8258-01	2007	464	556



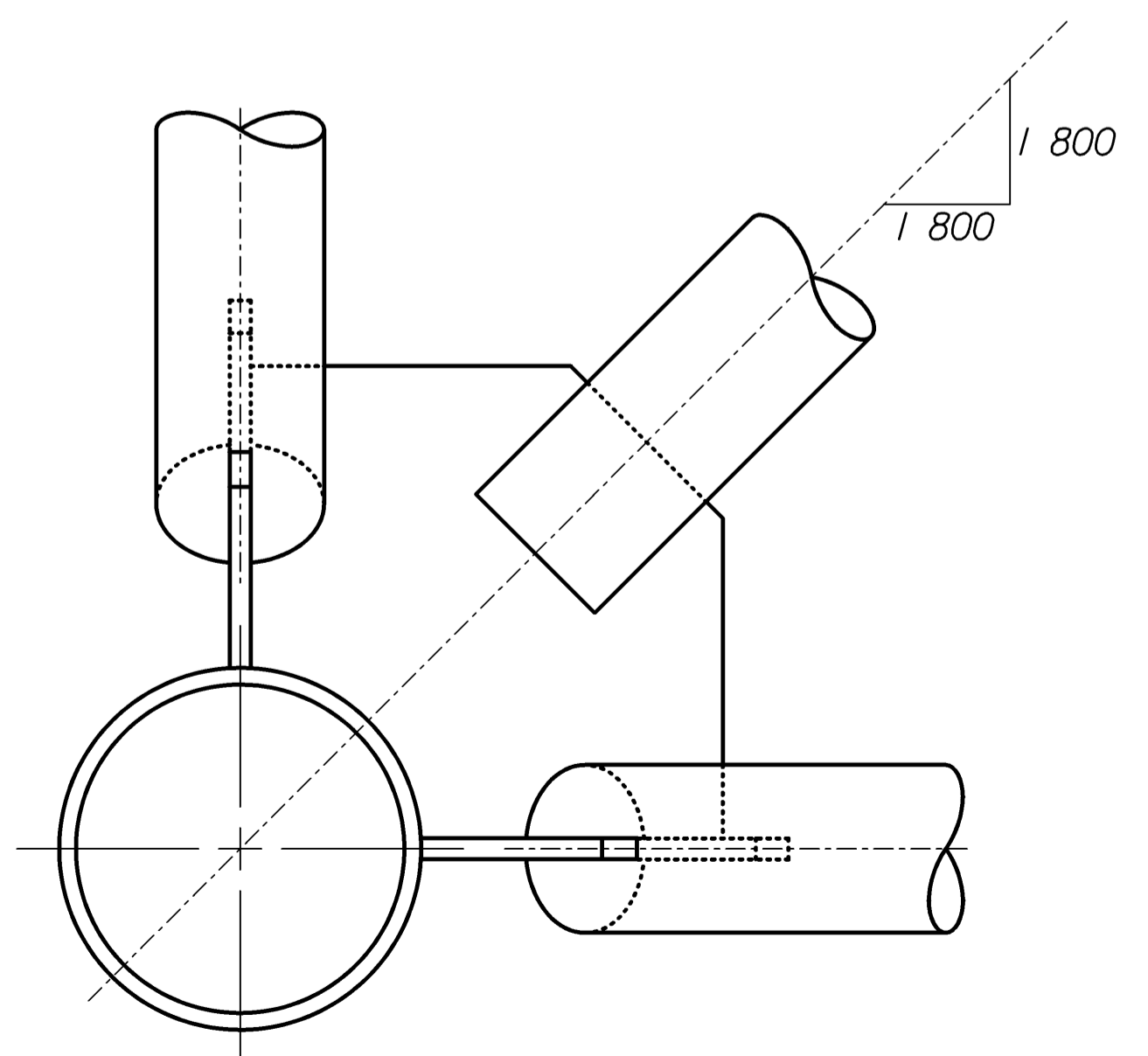
PLAN AT JOINT



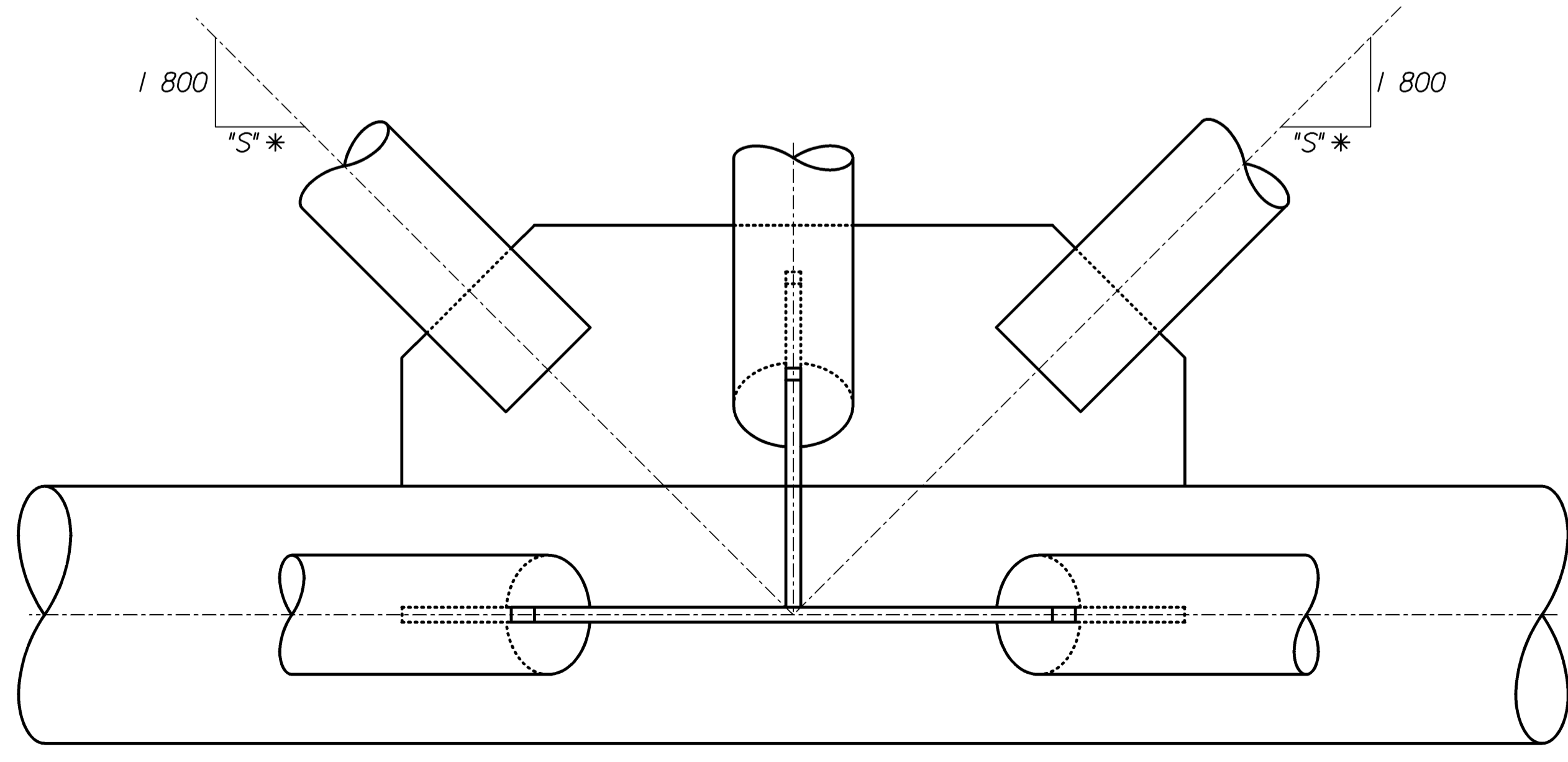
DETAILS R J1



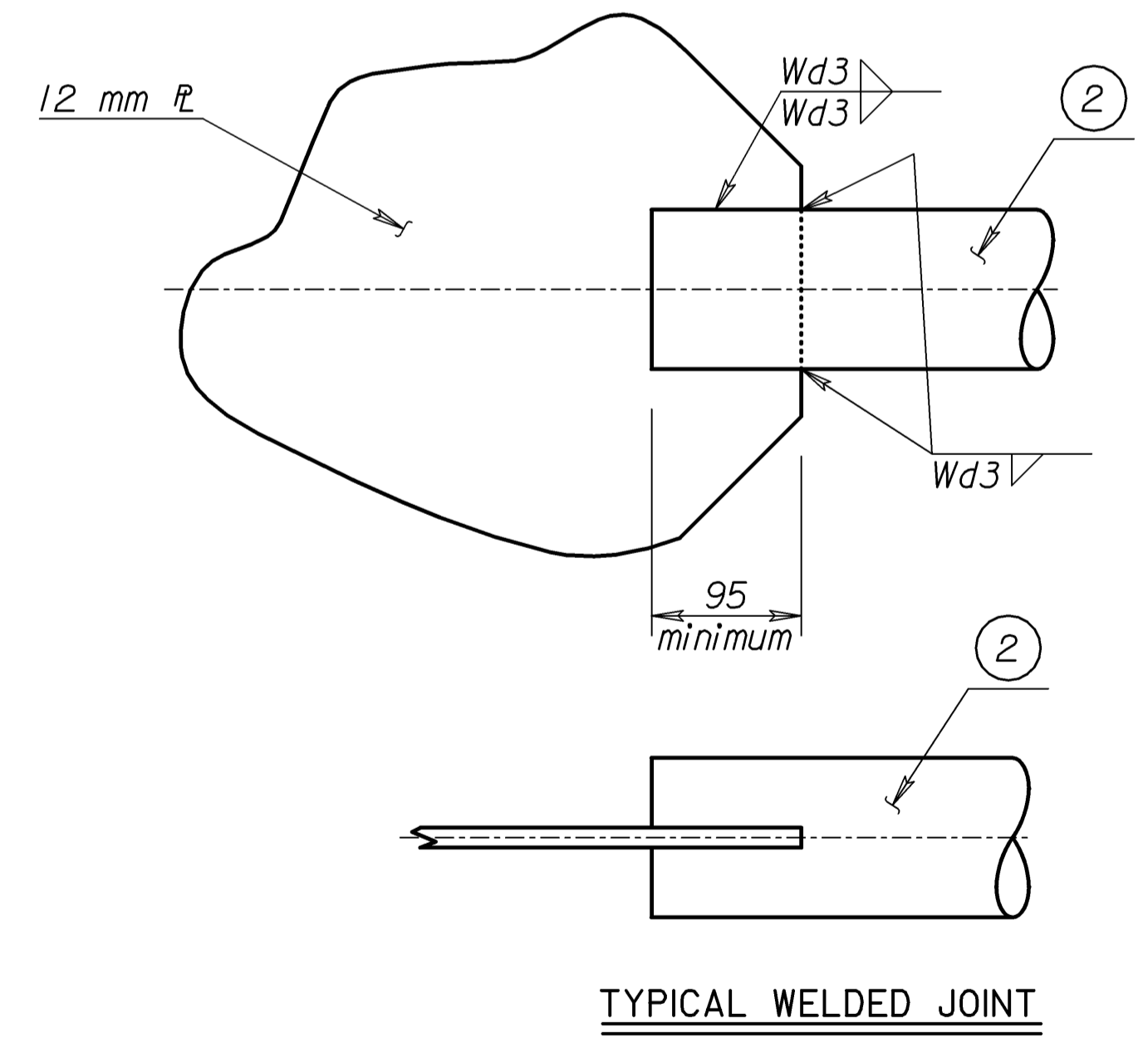
DETAILS R J2



SECTION NEAR JOINT



ELEVATION AT JOINT



TYPICAL WELDED JOINT

Member ② * wall thickness	Fillet Weld size Wd3
3.05	6
5.74	10
8.08	12

* See "Construction Layout" for wall thickness and "S"

Std. Base File: sl151bsi.dgn - Plot 5
 Plotted By: \$\$\$\$
 File: \$\$\$\$
 Plot Date: \$\$\$\$

NO.	DATE	REVISIONS	BY	APP'D
KANSAS DEPARTMENT OF TRANSPORTATION STANDARD STRUCTURAL SIGN SUPPORTS SPAN TYPE OVERHEAD ALUMINUM ALTERNATE TRUSS JOINT DETAILS SL151B-05 SI				
DESIGNED	RDH	4-10-97	APP'D	Kenneth F. Hurst
DETAILER	RDH	QUANTITIES	CADD	DJE
DESIGN CK.	RDH	QUAN. CK.	CADD CK.	LES