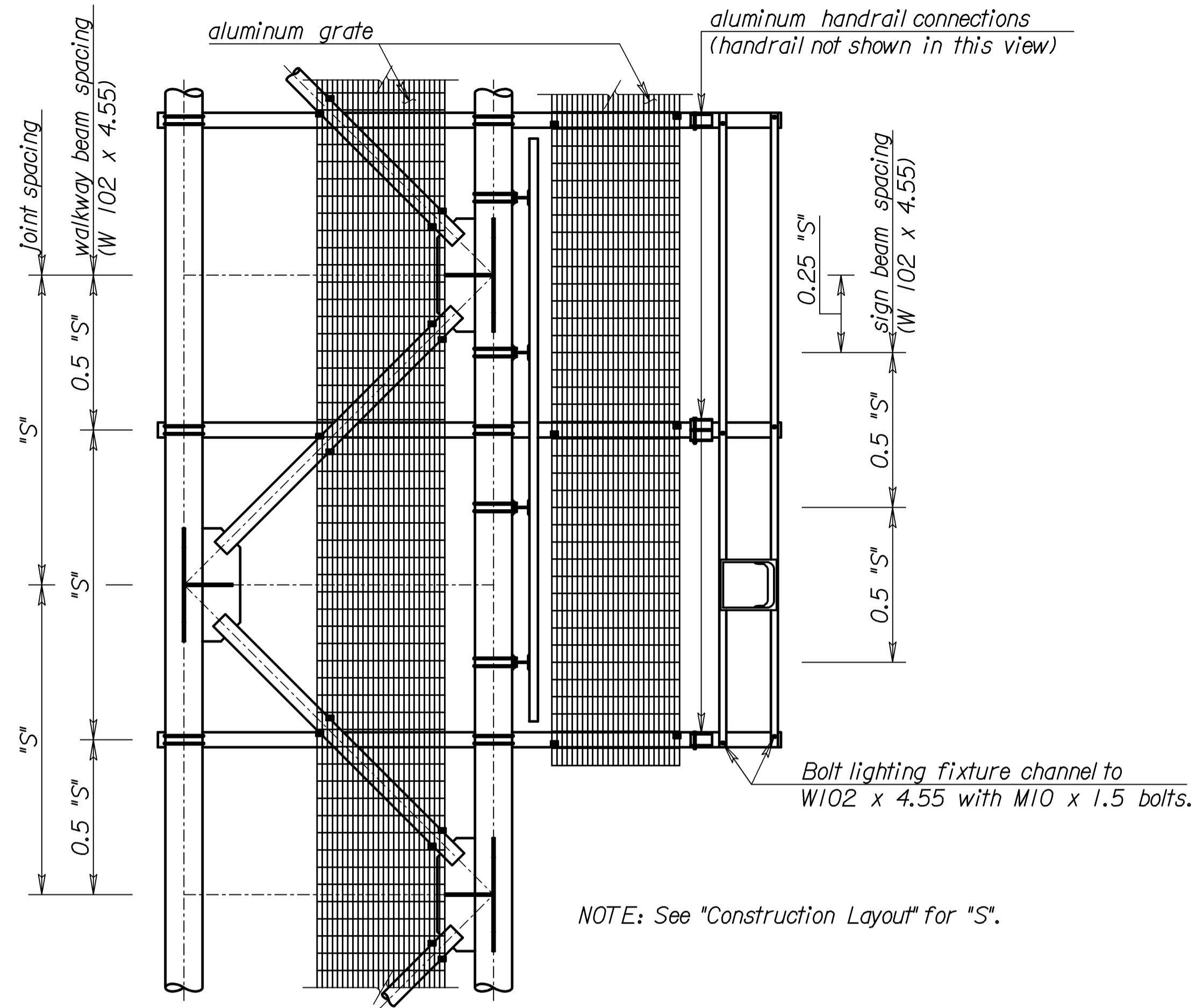
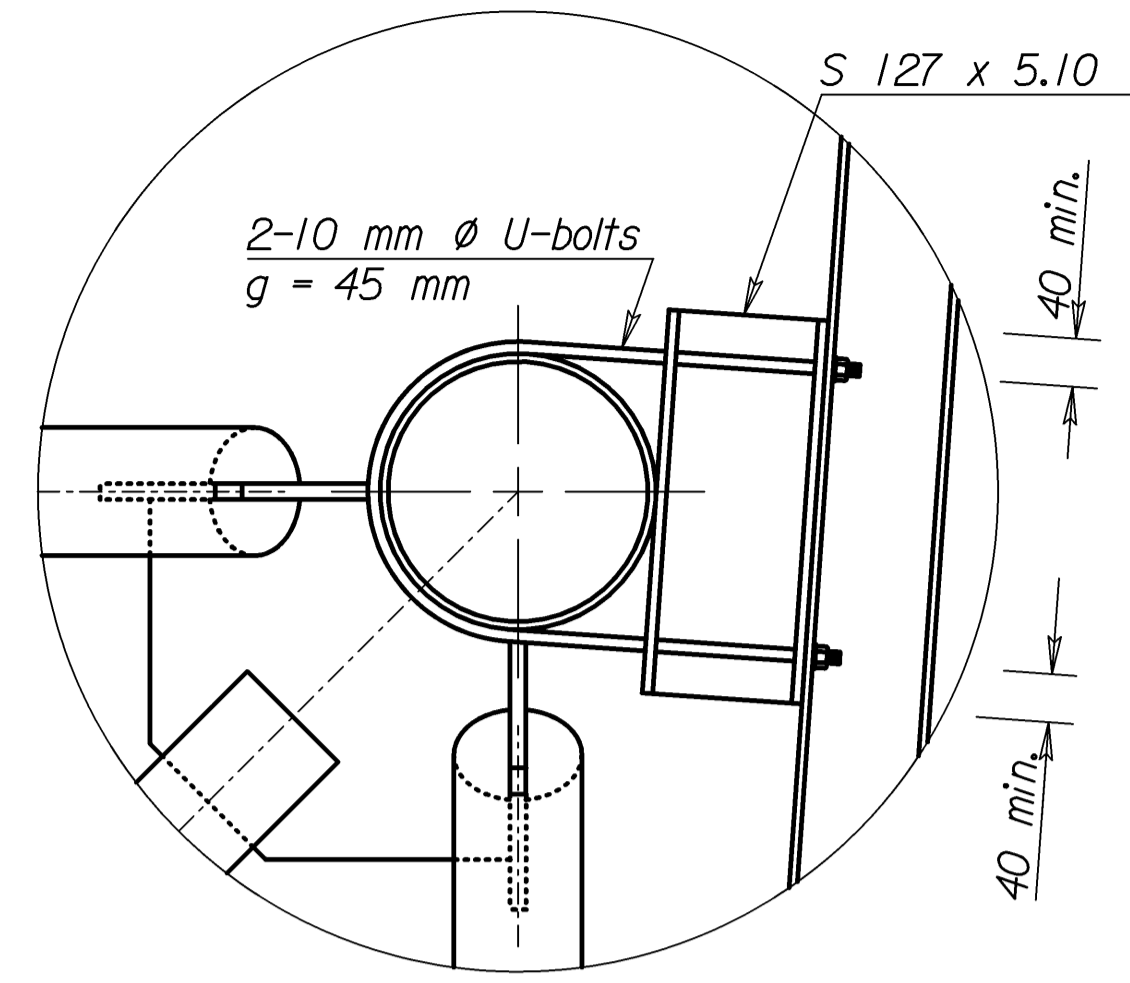


STATE	PROJECT NO.	YEAR	SHEET NO.	TOTAL SHEETS
KANSAS	54-87 K-8258-01	2007	467	556

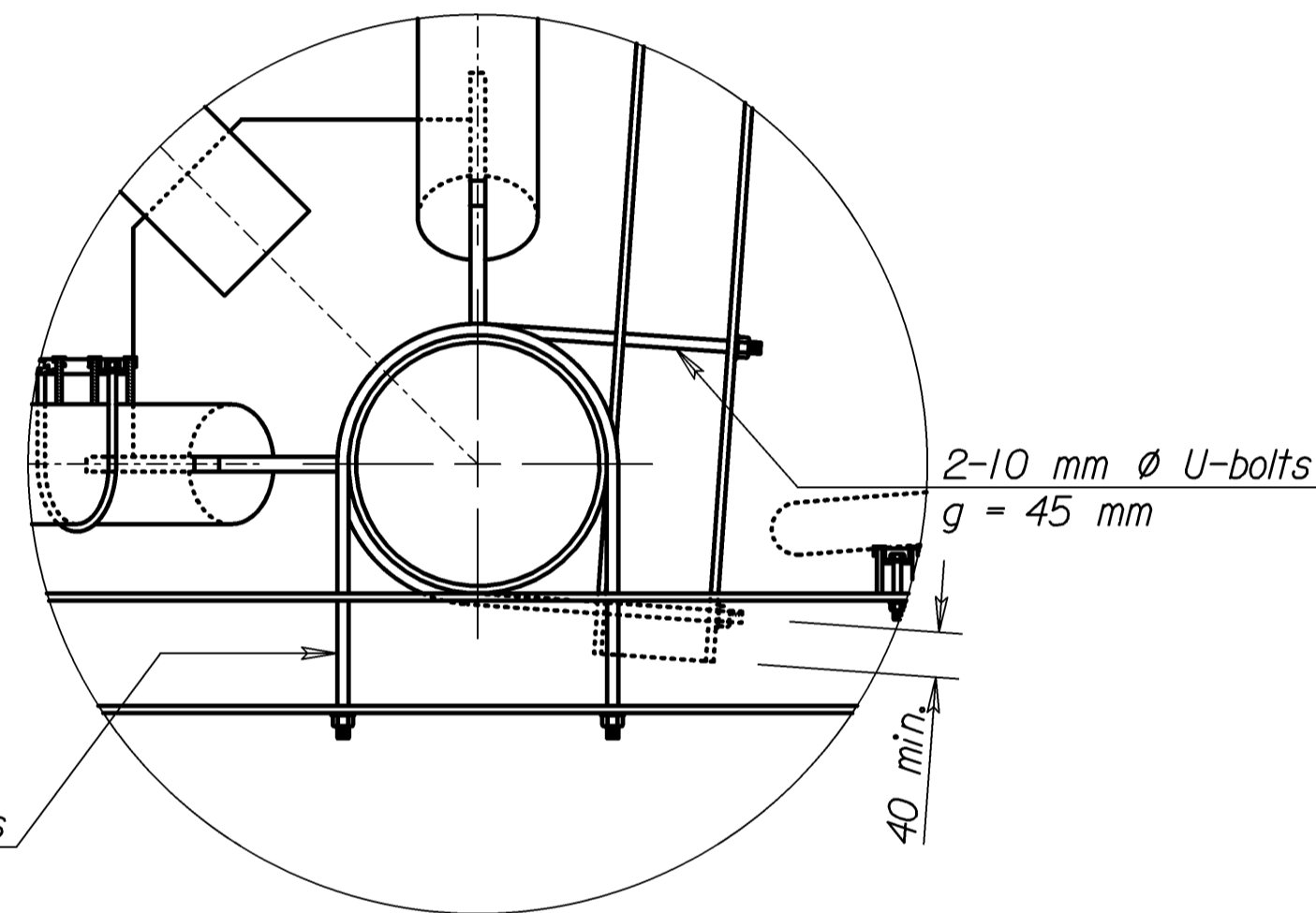


NOTE: See "Construction Layout" for "S".

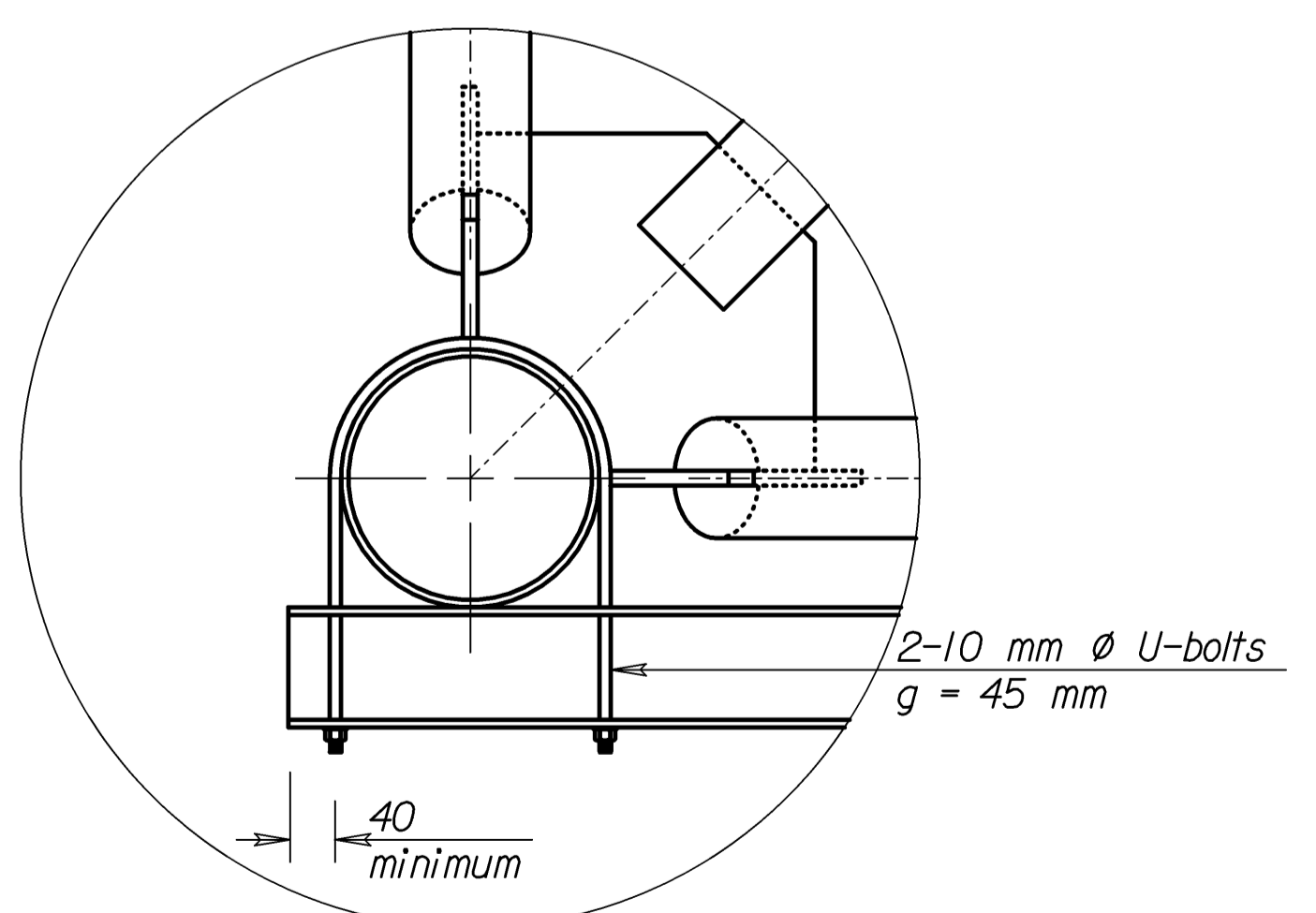
**PLAN**  
(Only lower truss members shown)



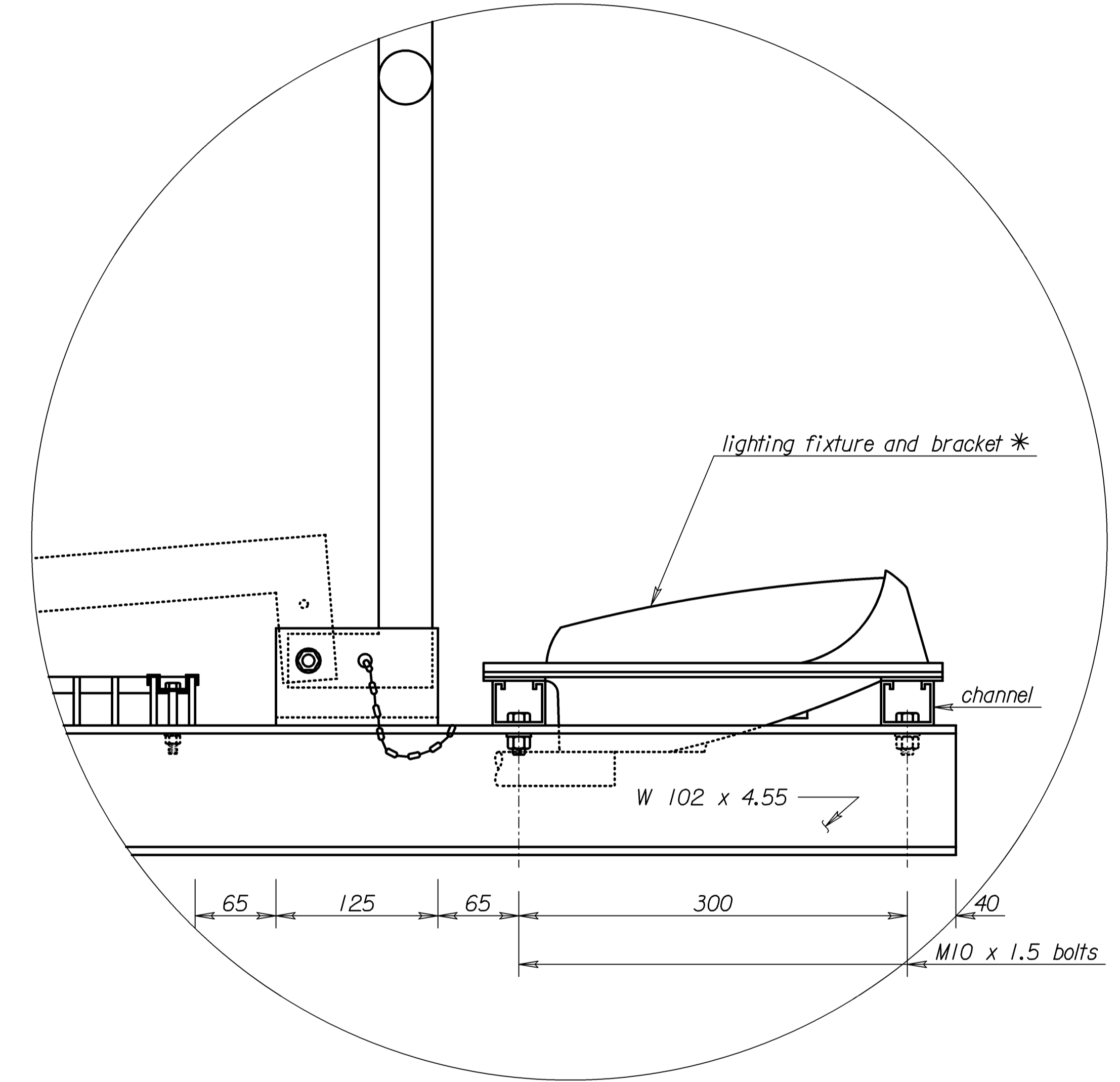
**Detail A**



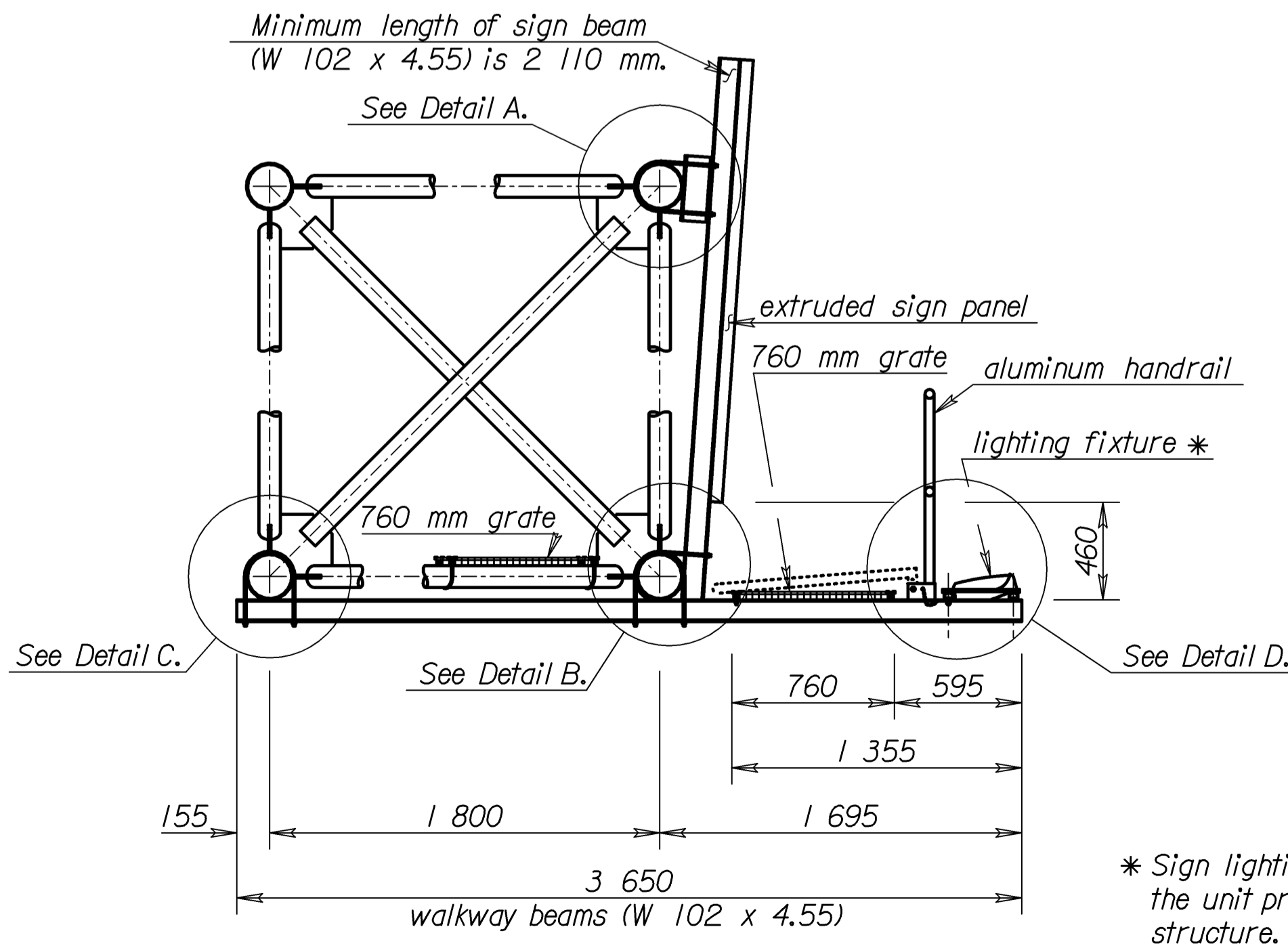
**Detail B**



**Detail C**



**Detail D**



**ELEVATION**

\* Sign lighting is not included in the unit price bid for each structure.

Std. Base File: sl151bsi.dgn - Plot 8  
 Plotted By: \$\$\$\$  
 File: \$\$\$\$  
 Plot Date: \$\$\$\$

NO.	DATE	REVISIONS	BY	APP'D
KANSAS DEPARTMENT OF TRANSPORTATION				
STANDARD STRUCTURAL SIGN SUPPORTS				
SPAN TYPE OVERHEAD				
ALUMINUM ALTERNATE				
SIGN MOUNTING AND WALKWAY DETAILS				
SL151B-08 SI				
DESIGNED	APPROVAL	4-10-97	APP'D	Kenneth F. Hurst
DESIGN CK.	BFM	DESIGNED	JD/RH	QUANTITIES
	KFH	DETAIL CK.	KFH	QUAN. CK.
				CADD CK.
				LES