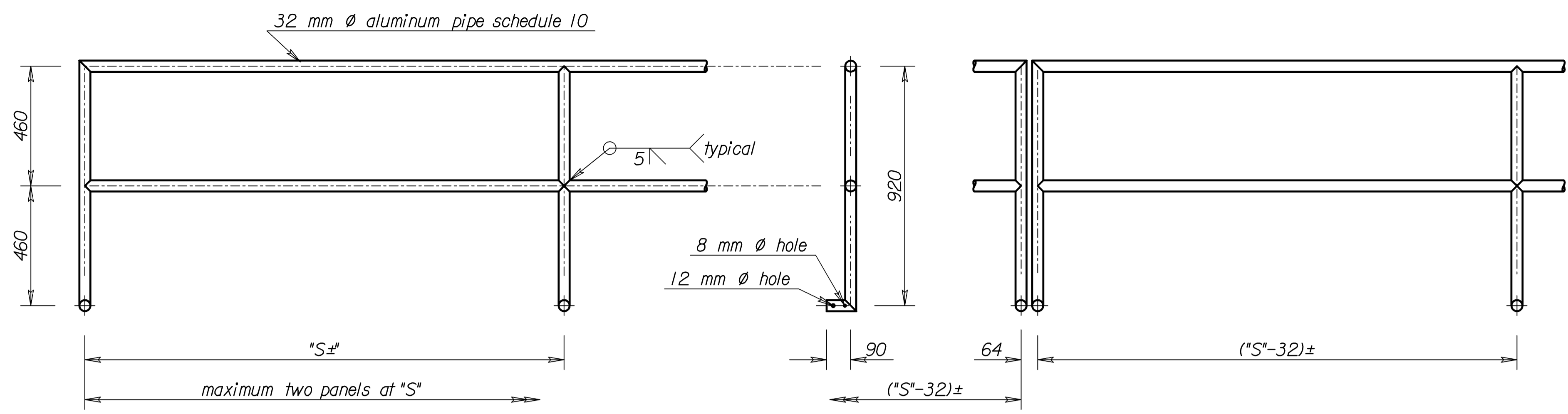
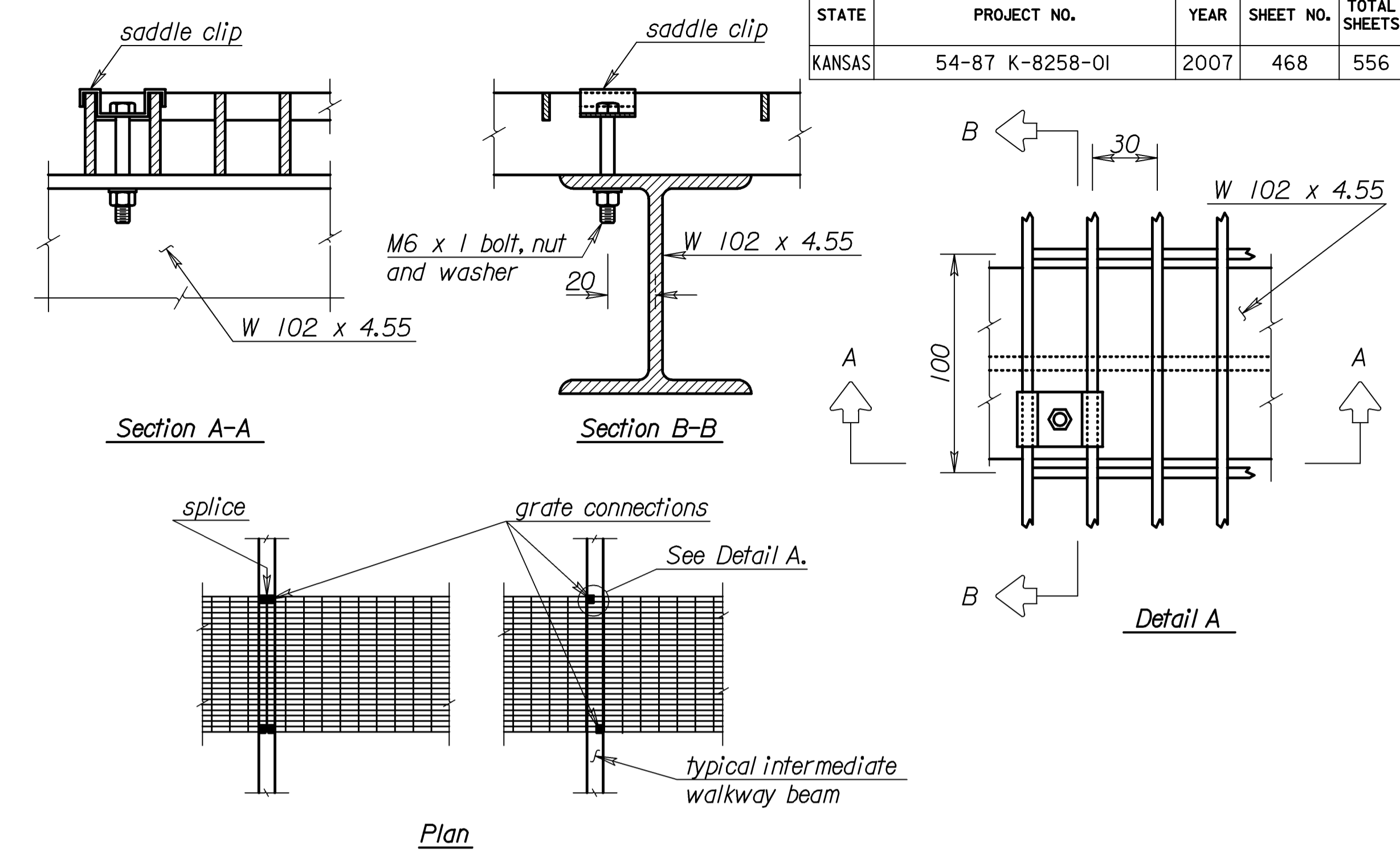


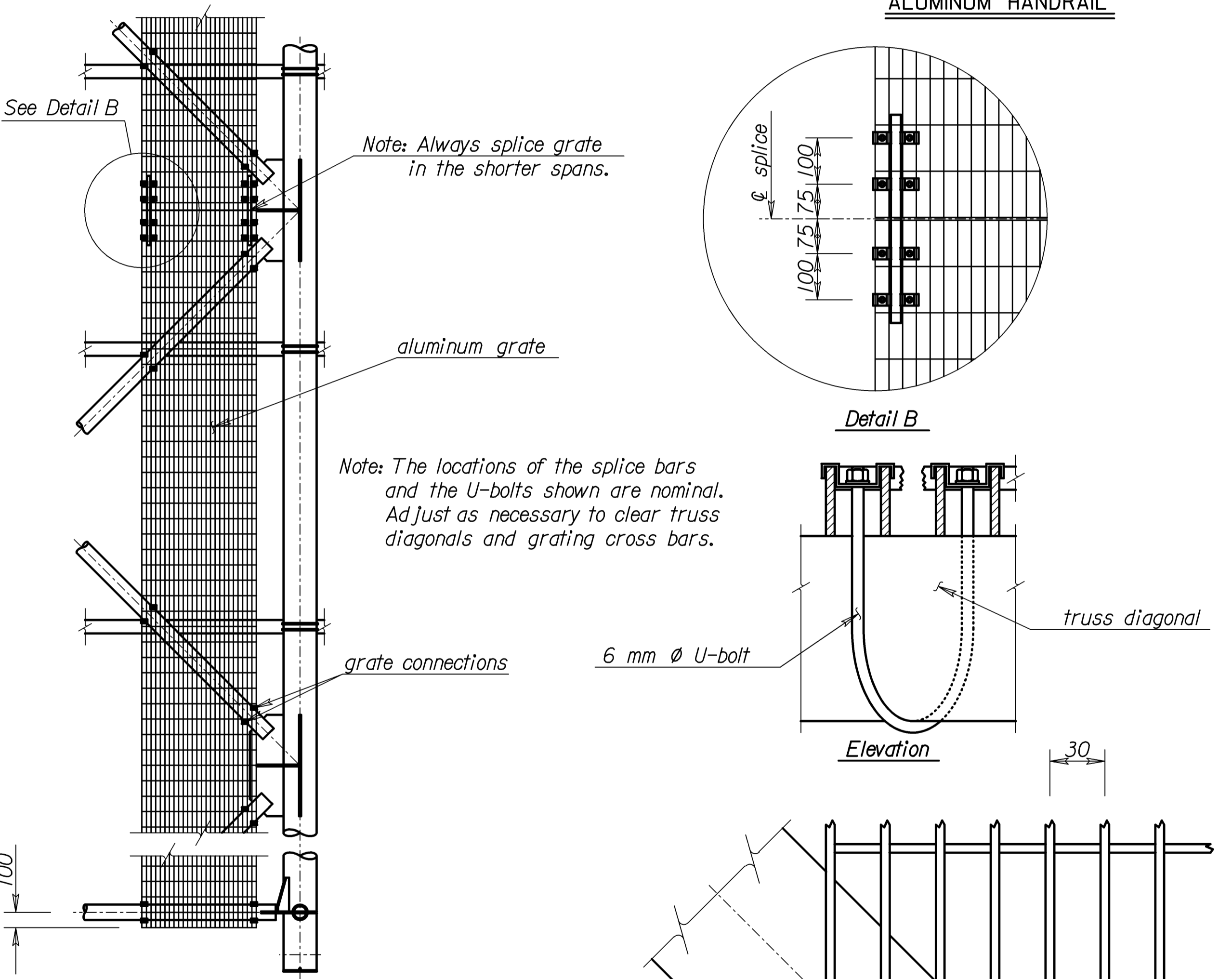
STATE	PROJECT NO.	YEAR	SHEET NO.	TOTAL SHEETS
KANSAS	54-87 K-8258-01	2007	468	556



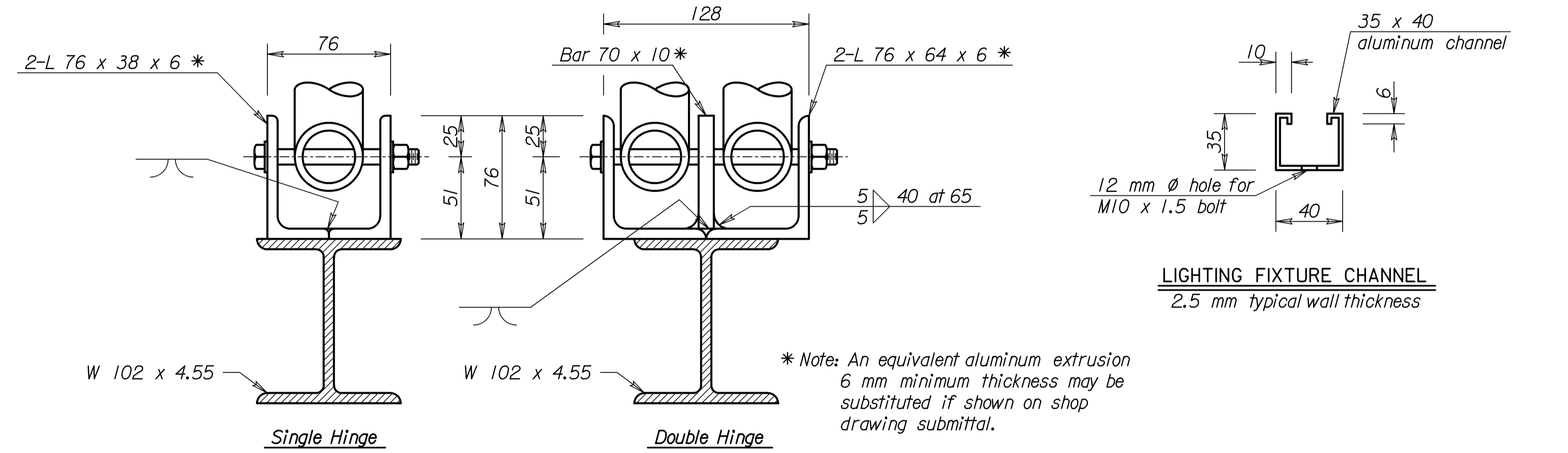
ALUMINUM HANDRAIL



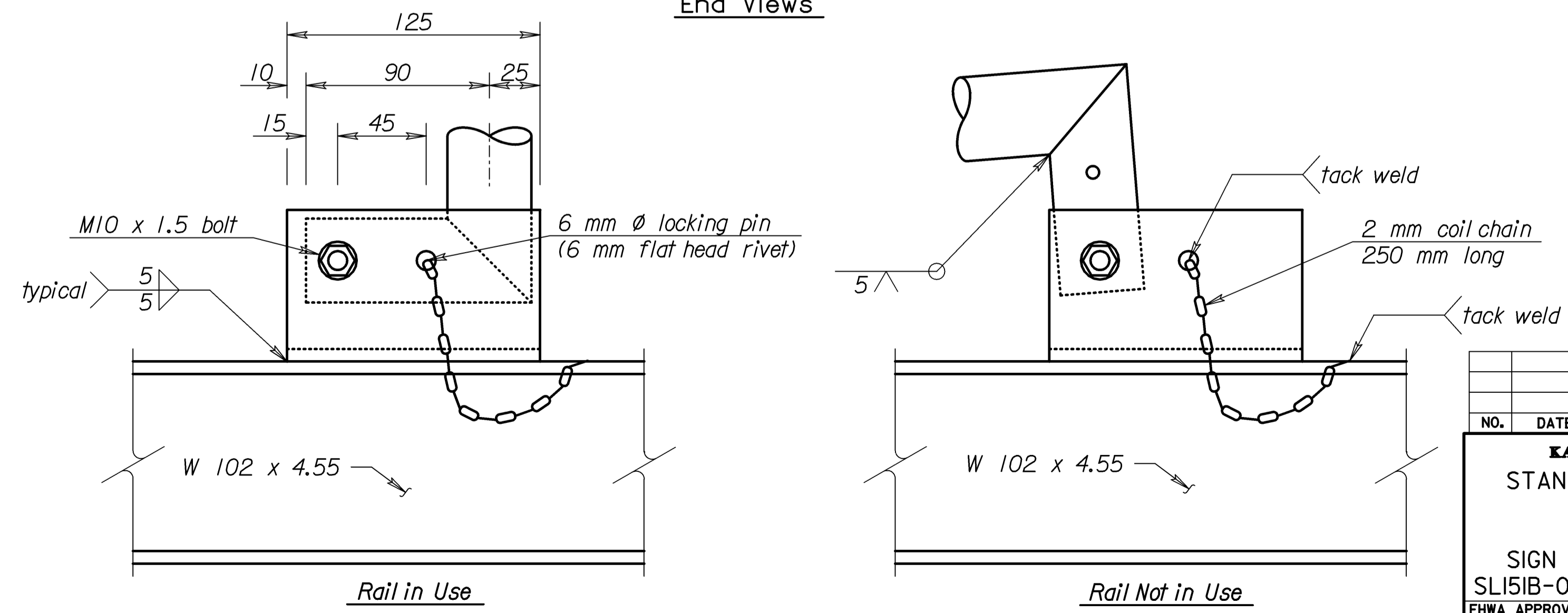
EXTERIOR GRATE CONNECTION DETAILS



INTERIOR GRATE CONNECTION DETAILS



HANDRAIL CONNECTIONS



HANDRAIL CONNECTIONS

Std. Base File: sl151bsi.dgn - Plot 9
 Plotted By: \$\$\$\$
 File: \$\$\$\$
 Plot Date: \$\$\$\$

NO.	DATE	REVISIONS	BY	APP'D
KANSAS DEPARTMENT OF TRANSPORTATION STANDARD STRUCTURAL SIGN SUPPORT SPAN TYPE OVERHEAD ALUMINUM ALTERNATE SIGN MOUNTING AND WALKWAY DETAILS SL151B-09 SI				
DESIGNED	BFM	4-10-97	APP'D	Kenneth F. Hurst
DETAIL	JDRH	QUANTITIES	CADD	DJE
DESIGN CK.	KFH	DETAIL CK.	KFH	QUAN. CK.