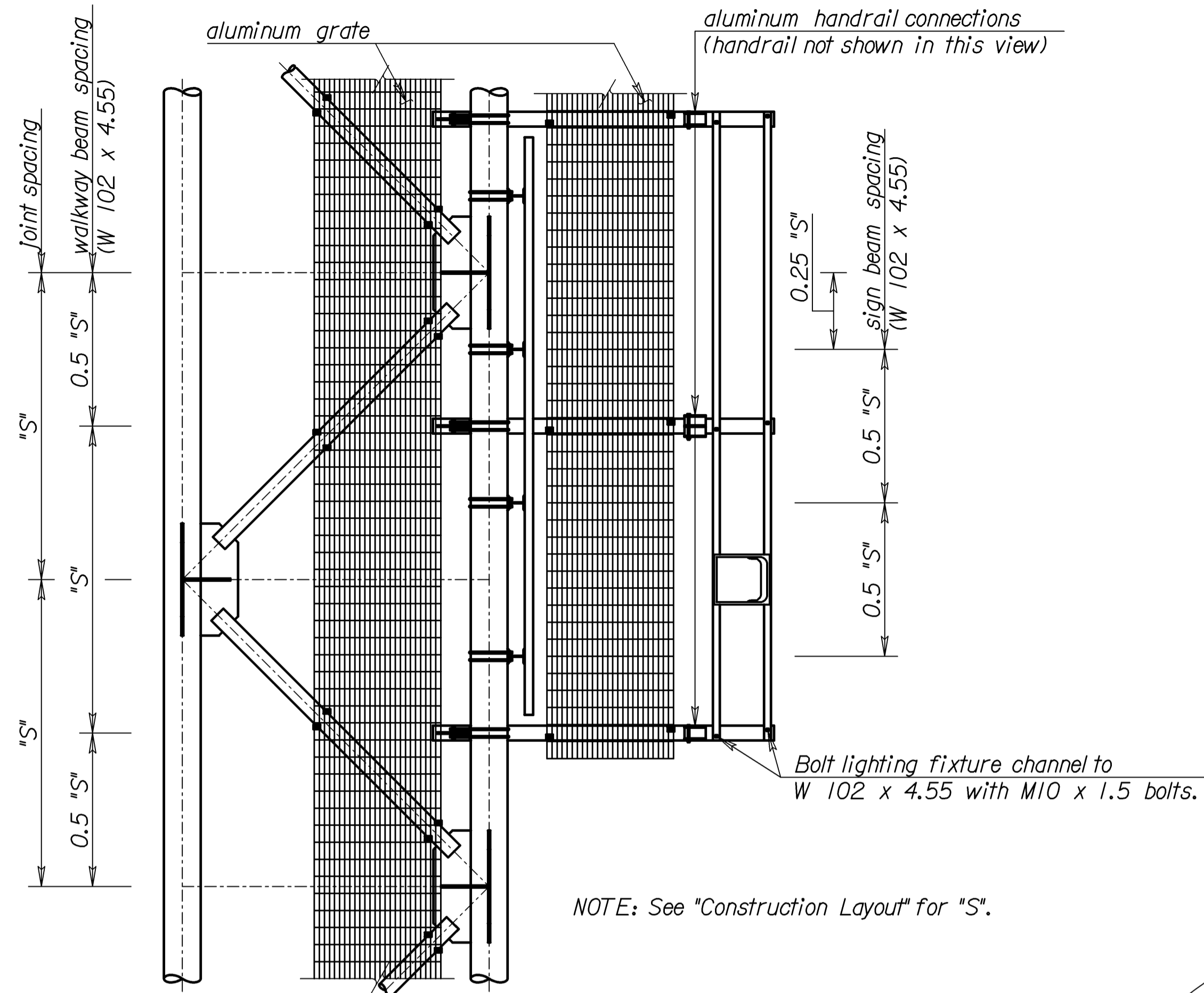
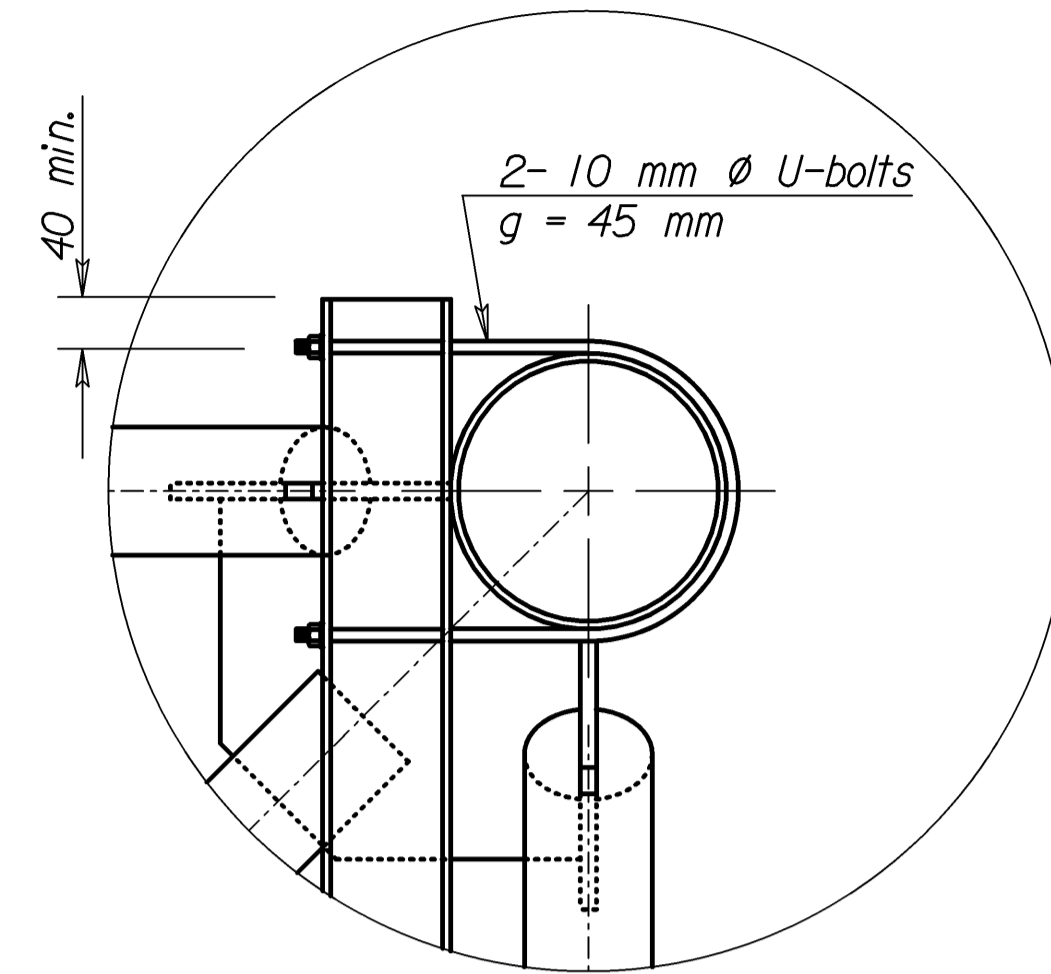


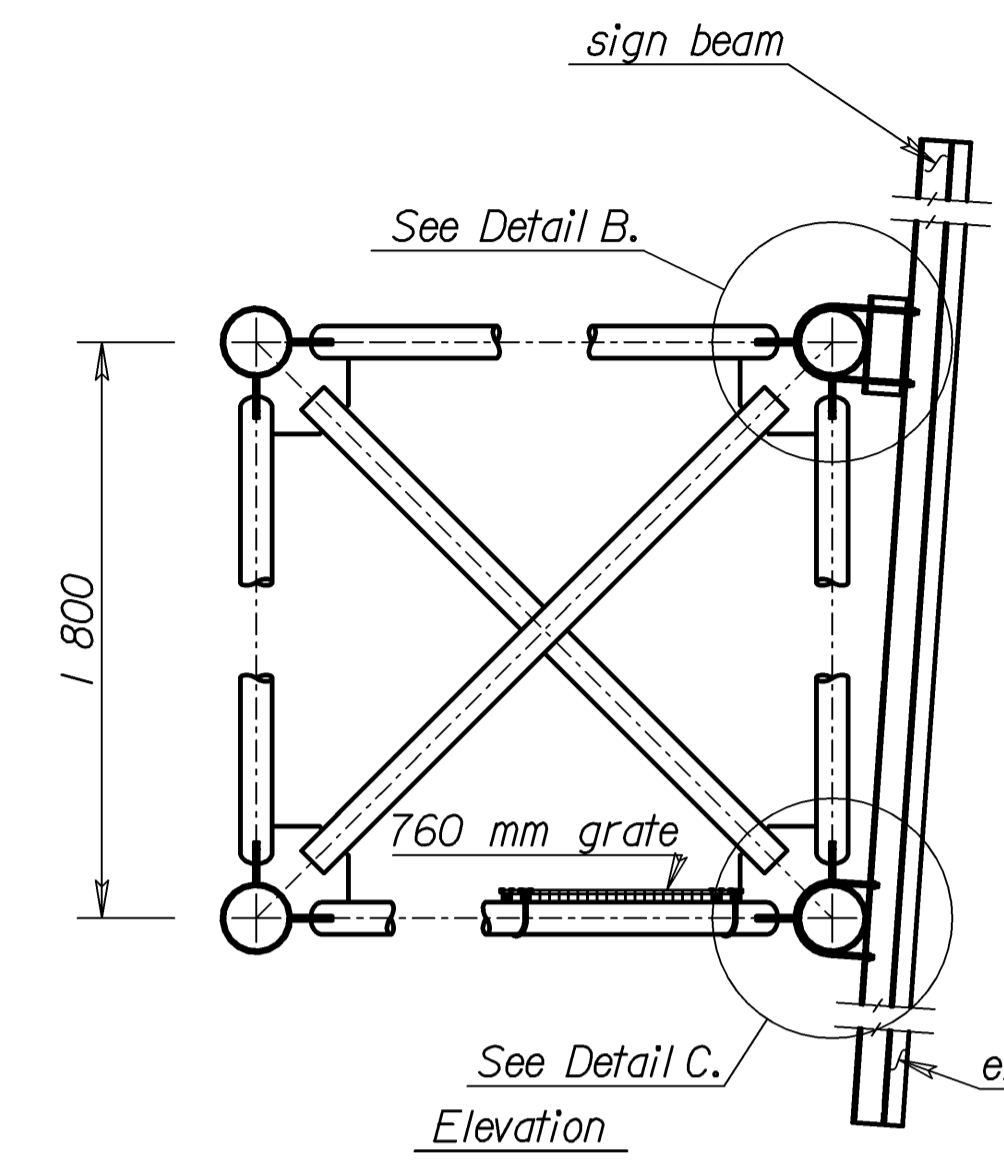
STATE	PROJECT NO.	YEAR	SHEET NO.	TOTAL SHEETS
KANSAS	54-87 K-8258-01	2007	469	556



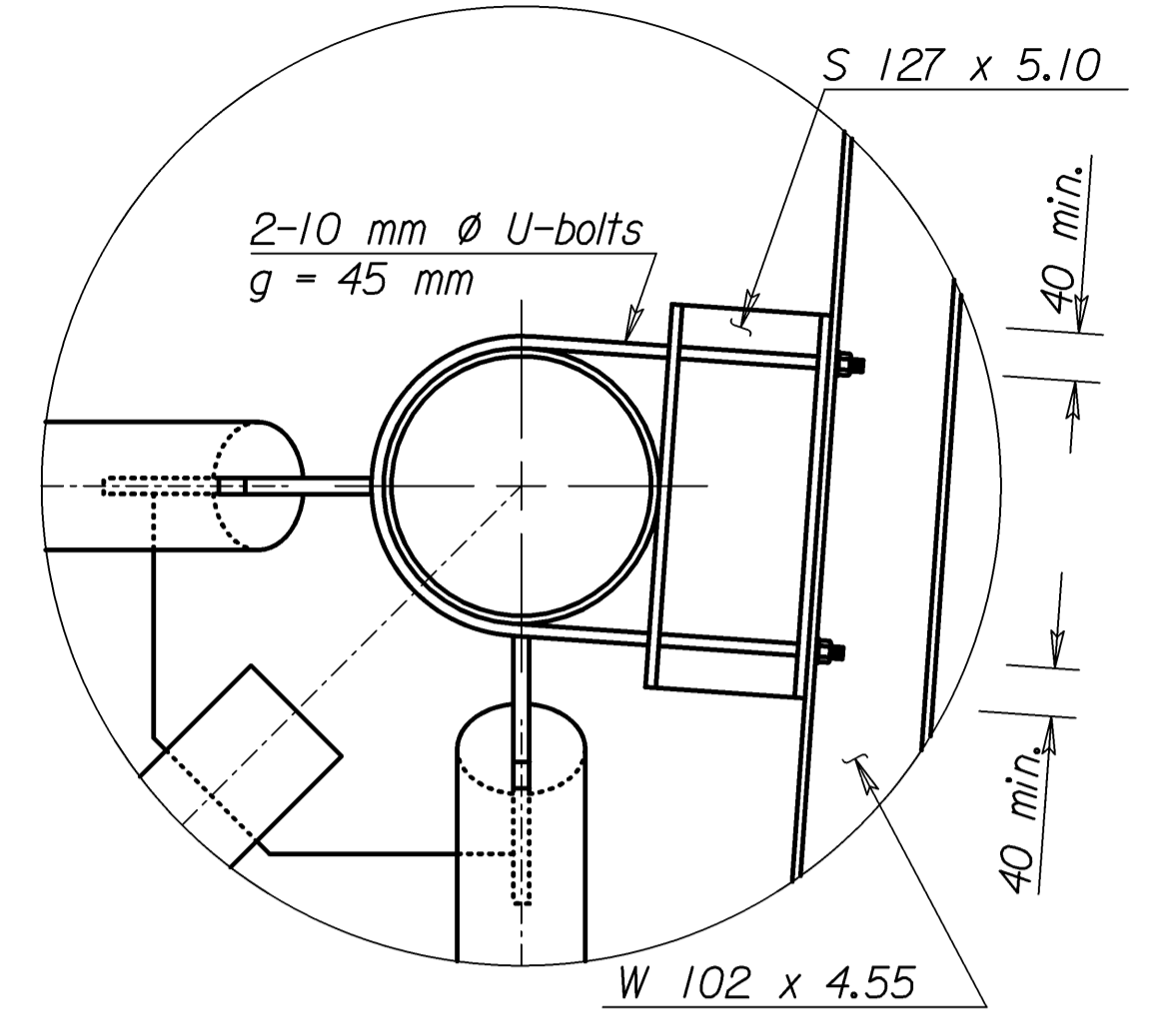
NOTE: See "Construction Layout" for "S".



Detail A

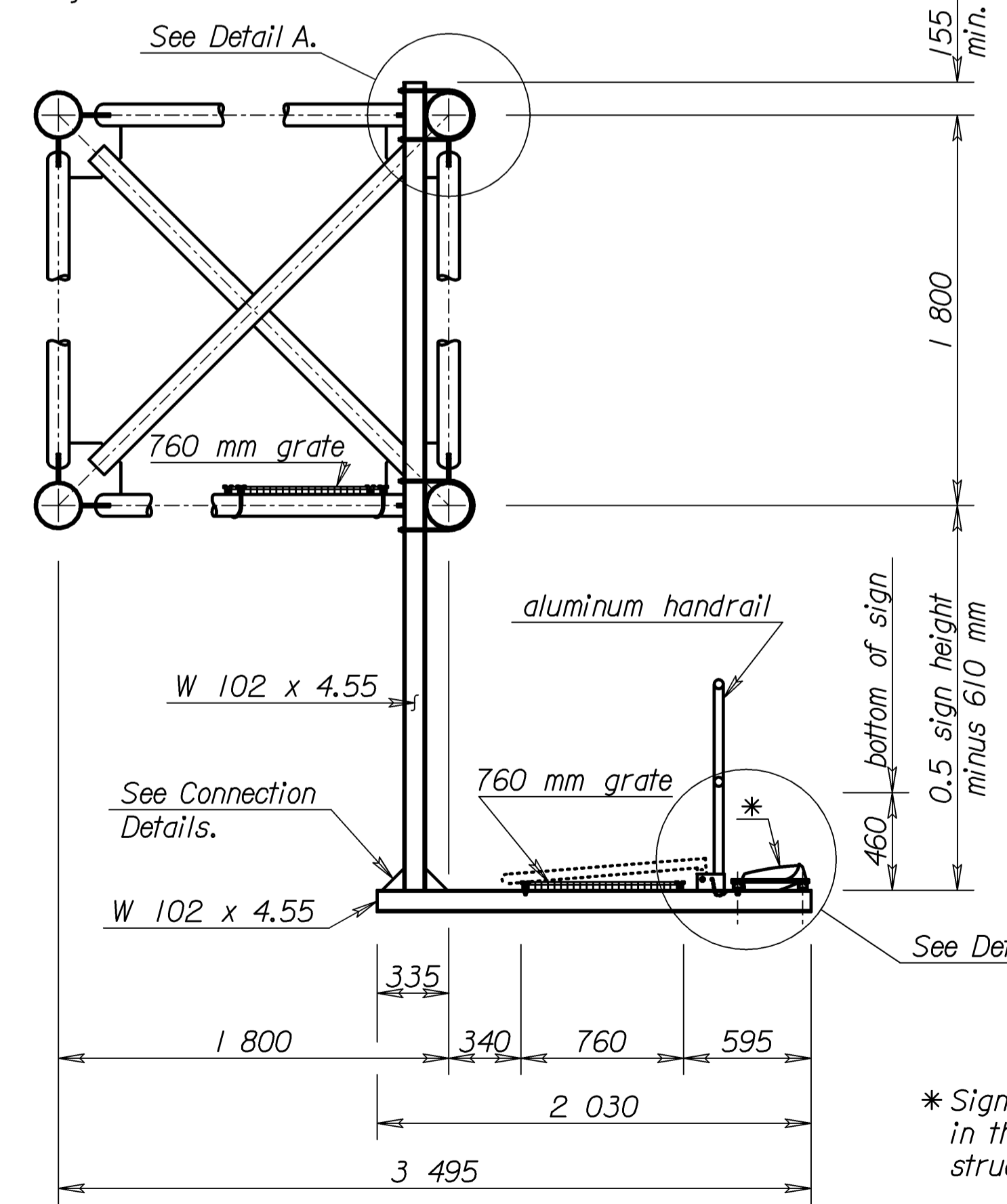


SIGN BEAM CONNECTION

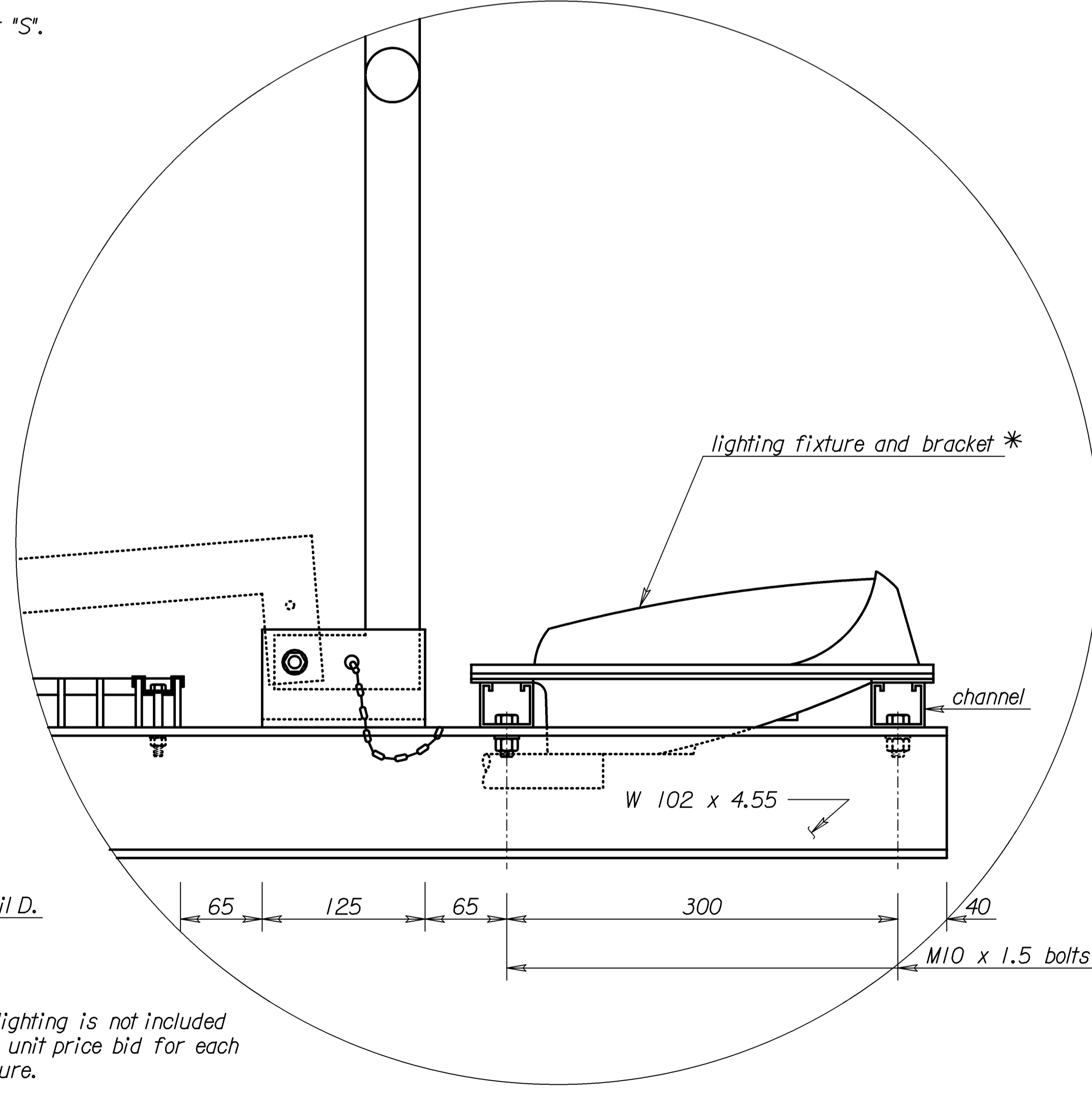


Detail B

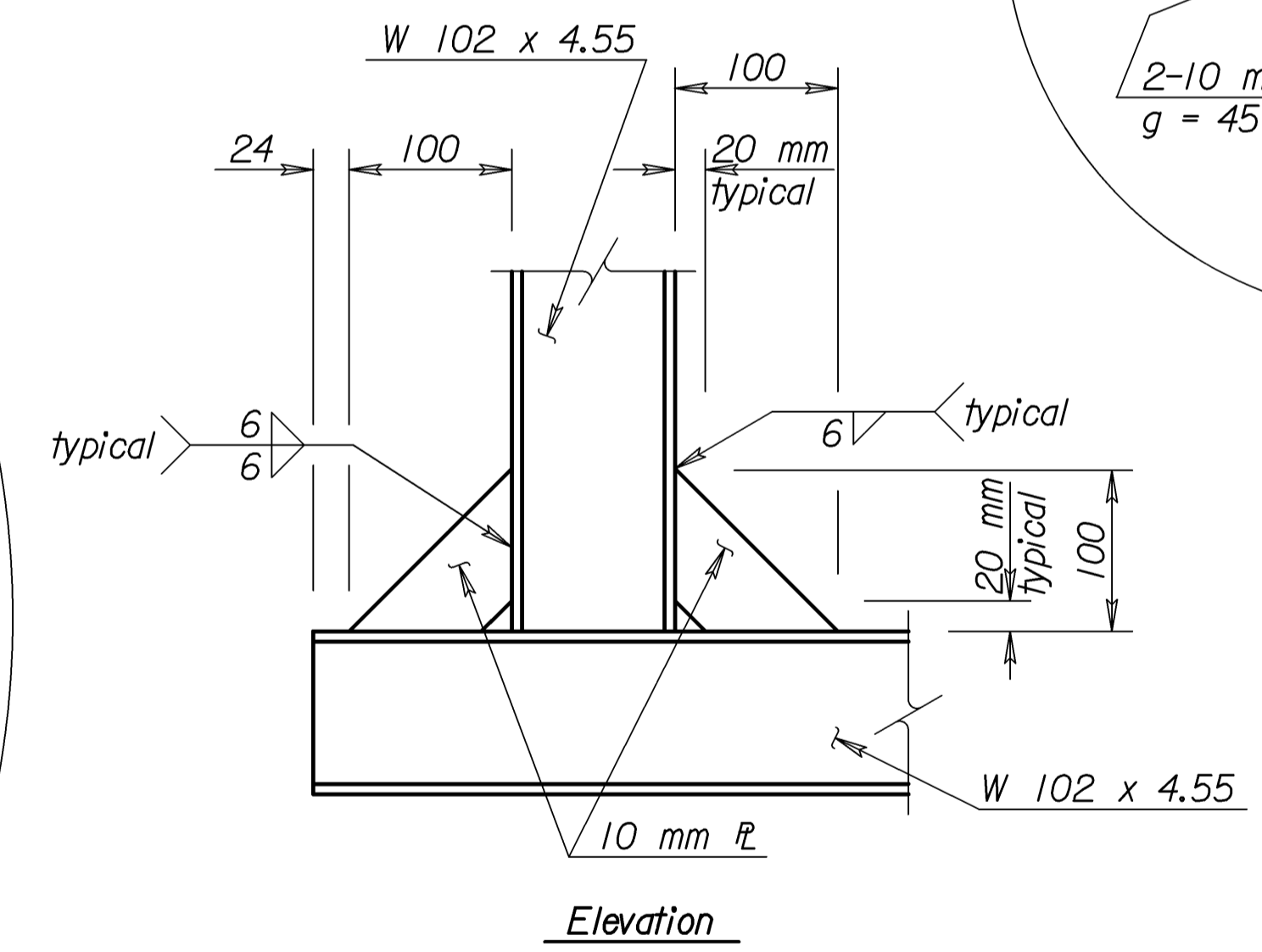
PLAN
(Only lower truss members shown)



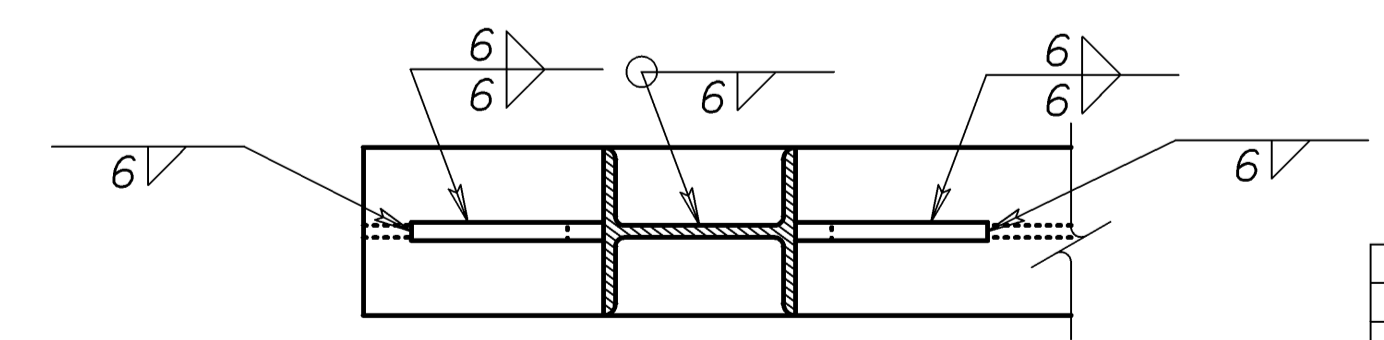
WALKWAY BEAM CONNECTION



Detail D

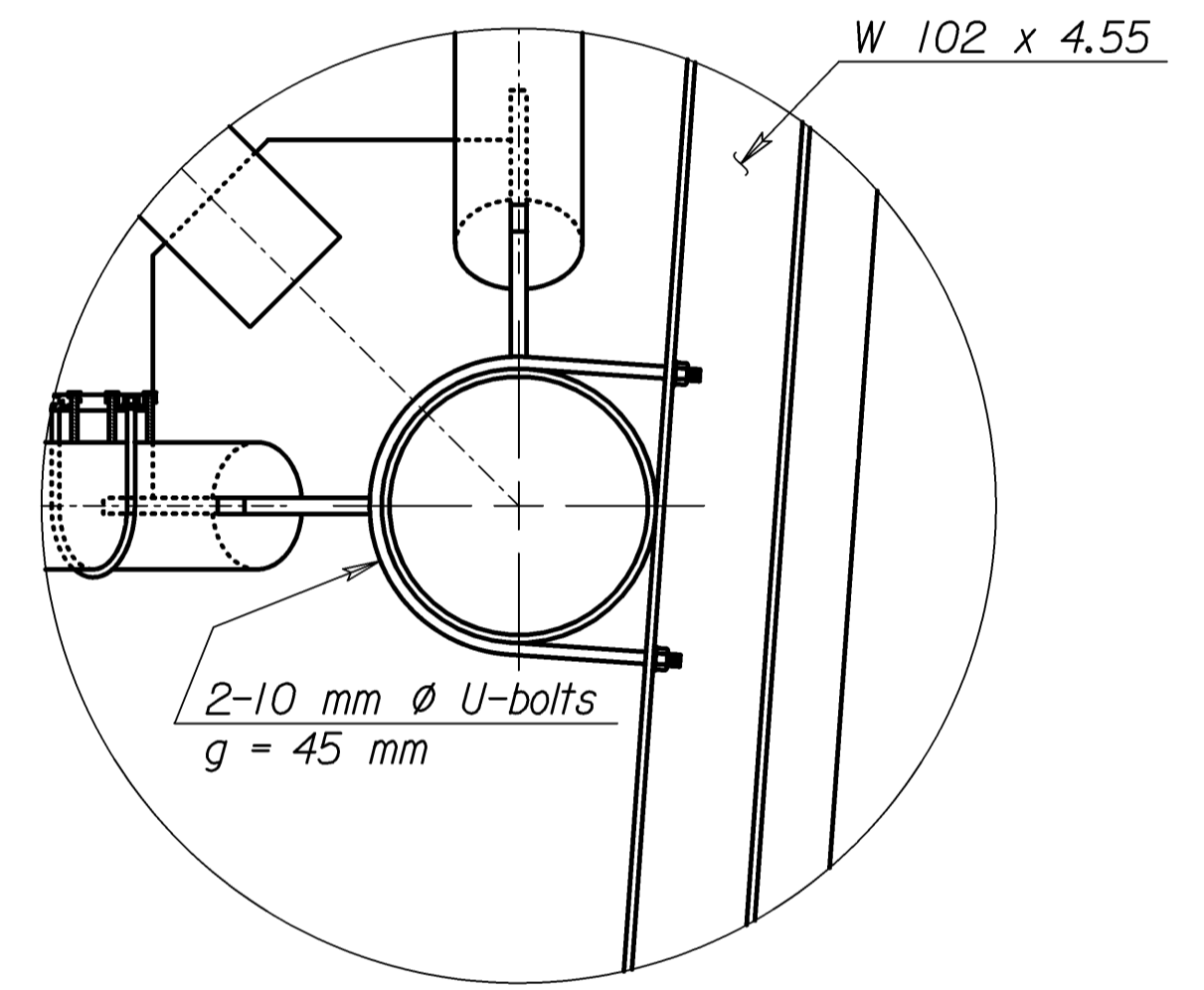


Elevation



Plan

CONNECTION DETAILS



Detail C

Std. Base File: sl151bsi.dgn - Plot 10
 Plotted By: \$\$\$\$SERNAME\$\$\$ Plot Location: \$\$\$\$UNIT\$\$\$
 File: \$\$\$\$CONSPECSPEC\$\$\$\$
 Plot Date: \$\$\$\$STTIME\$\$\$\$

* Sign lighting is not included
in the unit price bid for each
structure.

NO.	DATE	REVISIONS	BY	APP'D
KANSAS DEPARTMENT OF TRANSPORTATION				
STANDARD STRUCTURAL SIGN SUPPORTS				
SPAN TYPE OVERHEAD				
ALUMINUM ALTERNATE				
SPECIAL SIGN MOUNTING AND WALKWAY DETAILS				
SL151B-10 SI				
DESIGNED	LES	4-10-97	APP'D	Kenneth F. Hurst
DESIGN CK.	BR	DETAIL CK.	BR	QUAN. CK.