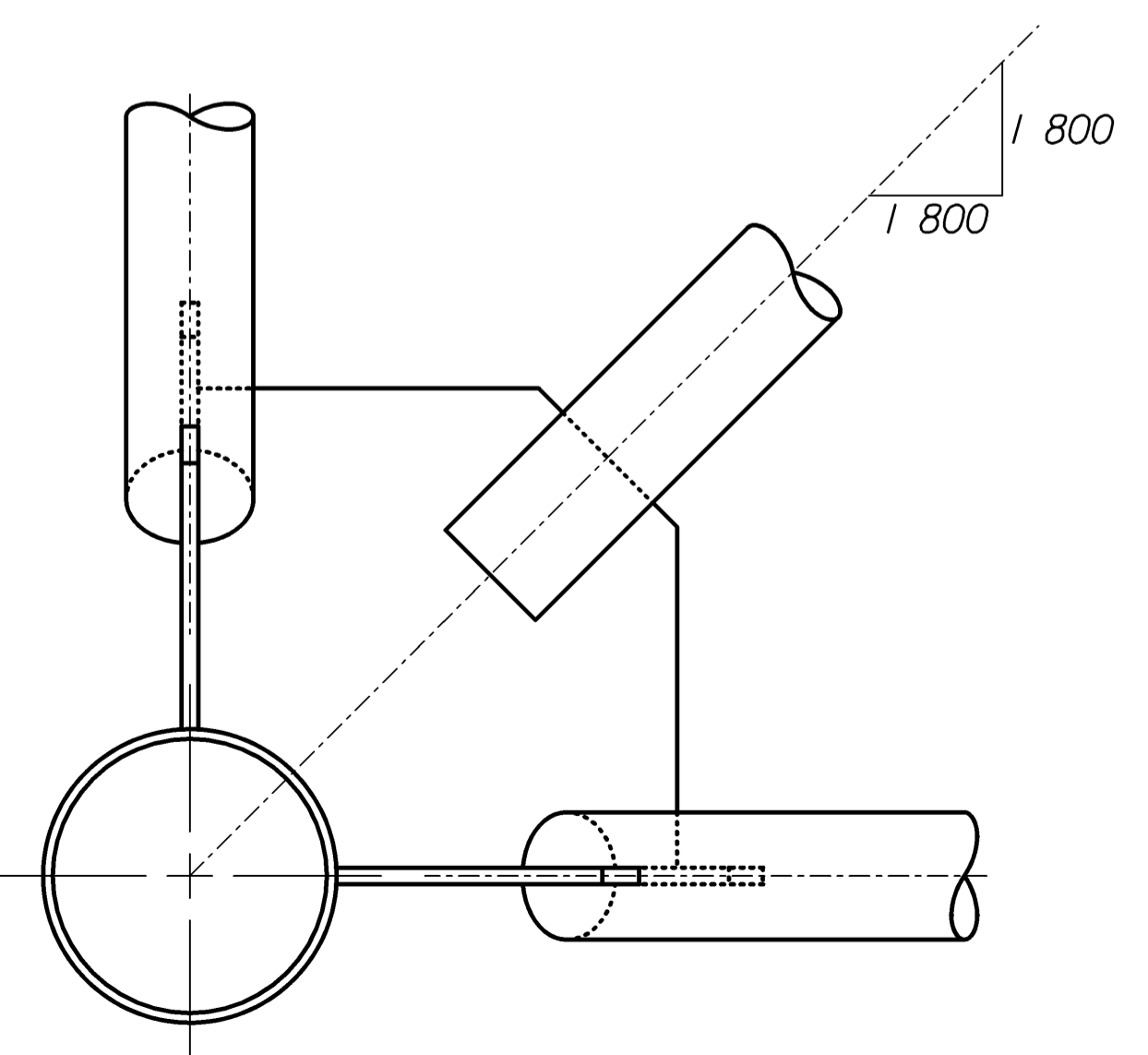
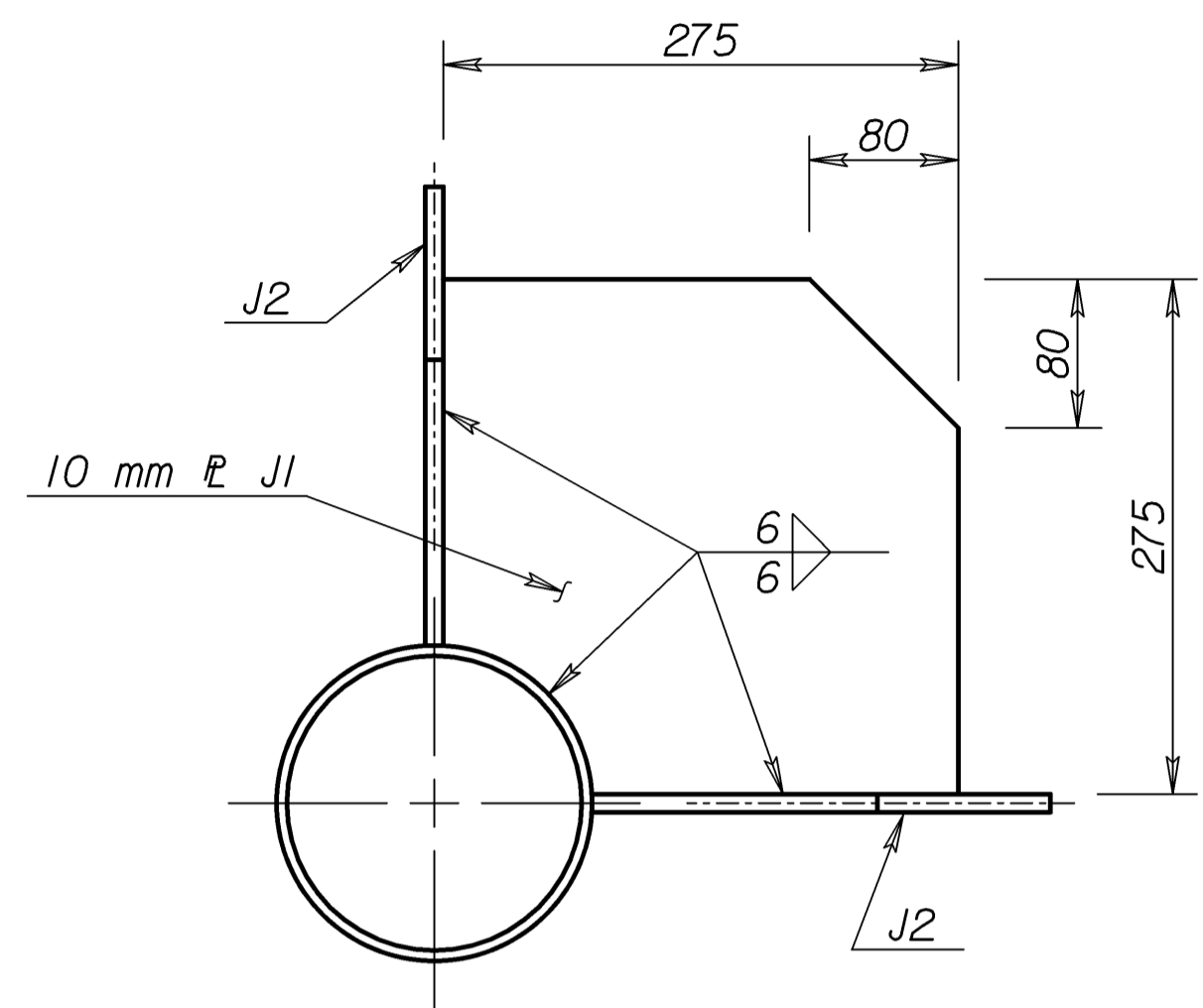


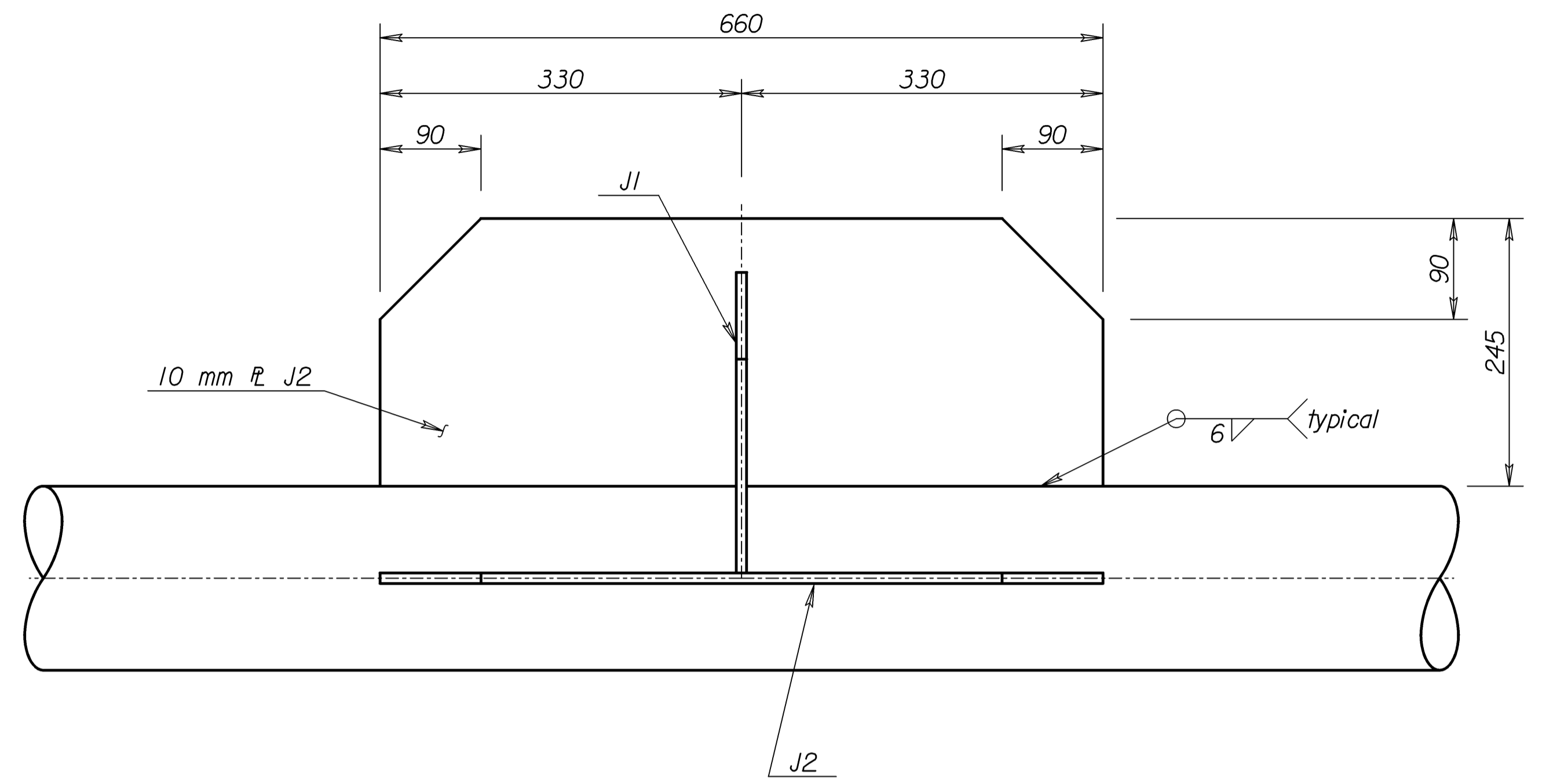
PLAN AT JOINT



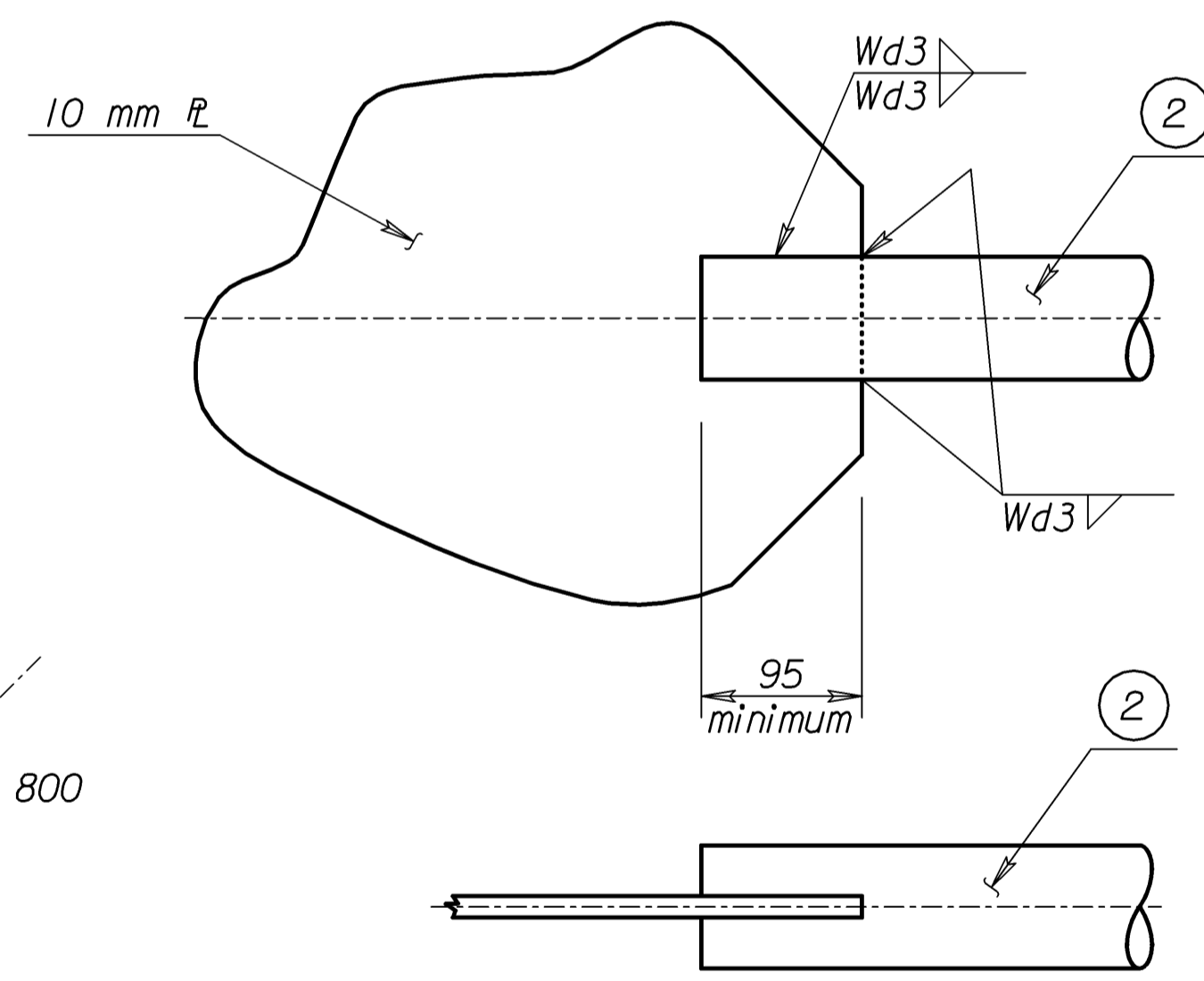
SECTION NEAR JOINT



DETAILS R J1



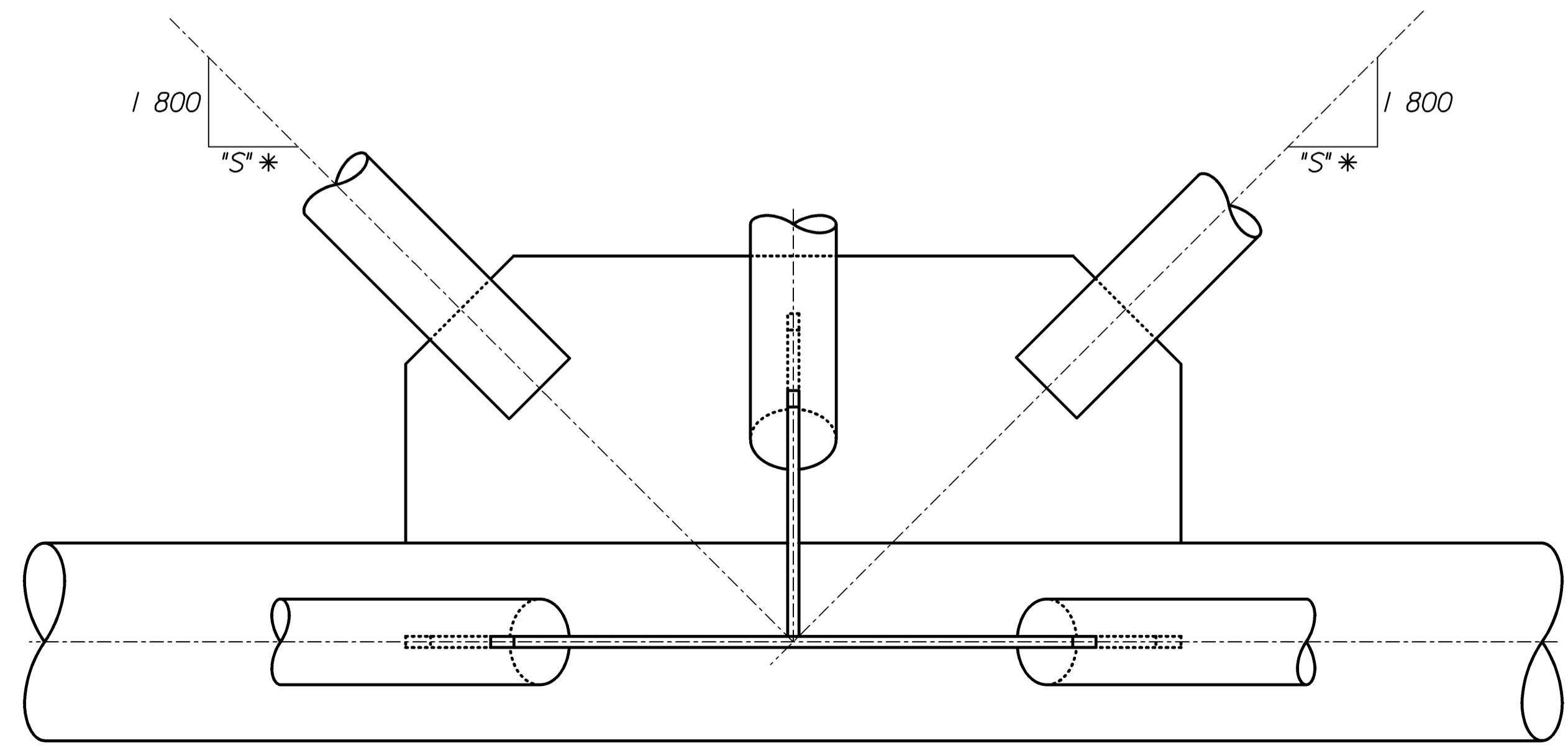
DETAILS R J2



TYPICAL WELDED JOINT
Note: Welded and bolted options may be mixed for a given truss or at a given joint.

Member ② * wall thickness	Fillet Weld size Wd3
3.05	5
5.16	5
7.01	6

* See "Construction Layout" for wall thickness and "S"



ELEVATION AT JOINT

TYPICAL DETAILS

Std. Base File: sl151csi.dgn - Plot 5
 Plotted By: \$\$\$\$
 File: \$\$\$\$
 Plot Date: \$\$\$\$

NO.	DATE	REVISIONS	BY	APP'D
KANSAS DEPARTMENT OF TRANSPORTATION				
STANDARD STRUCTURAL SIGN SUPPORTS				
SPAN TYPE OVERHEAD				
STEEL ALTERNATE				
TRUSS JOINT DETAILS (WELDED OPTION)				
SL151C-05 SI				
DESIGNED	RDH	DETAIL CK.	RDH	QUAN. CK.
APP'D	4-10-97		APP'D	Kenneth F. Hurst
CADD	QUANTITIES		CADD	DJE
CADD	CK.		CADD	LES