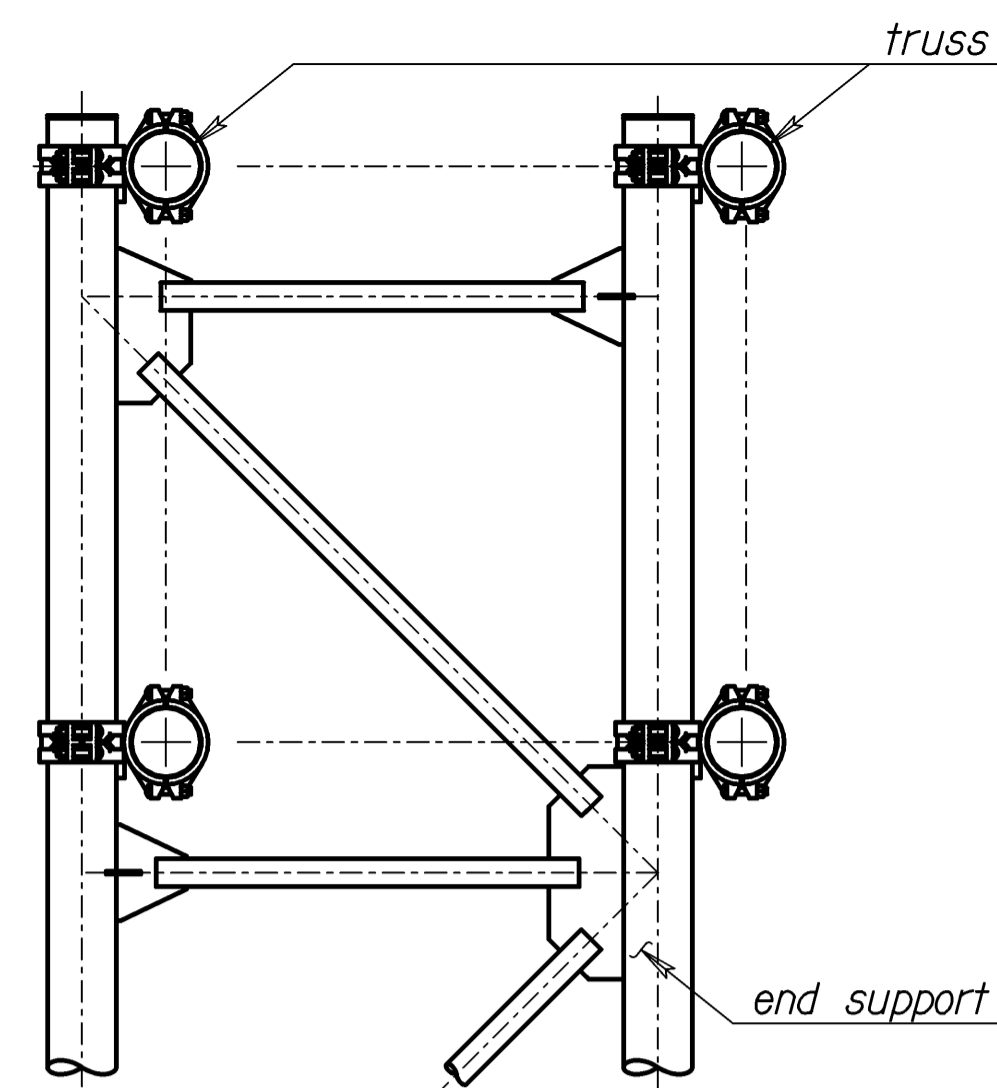


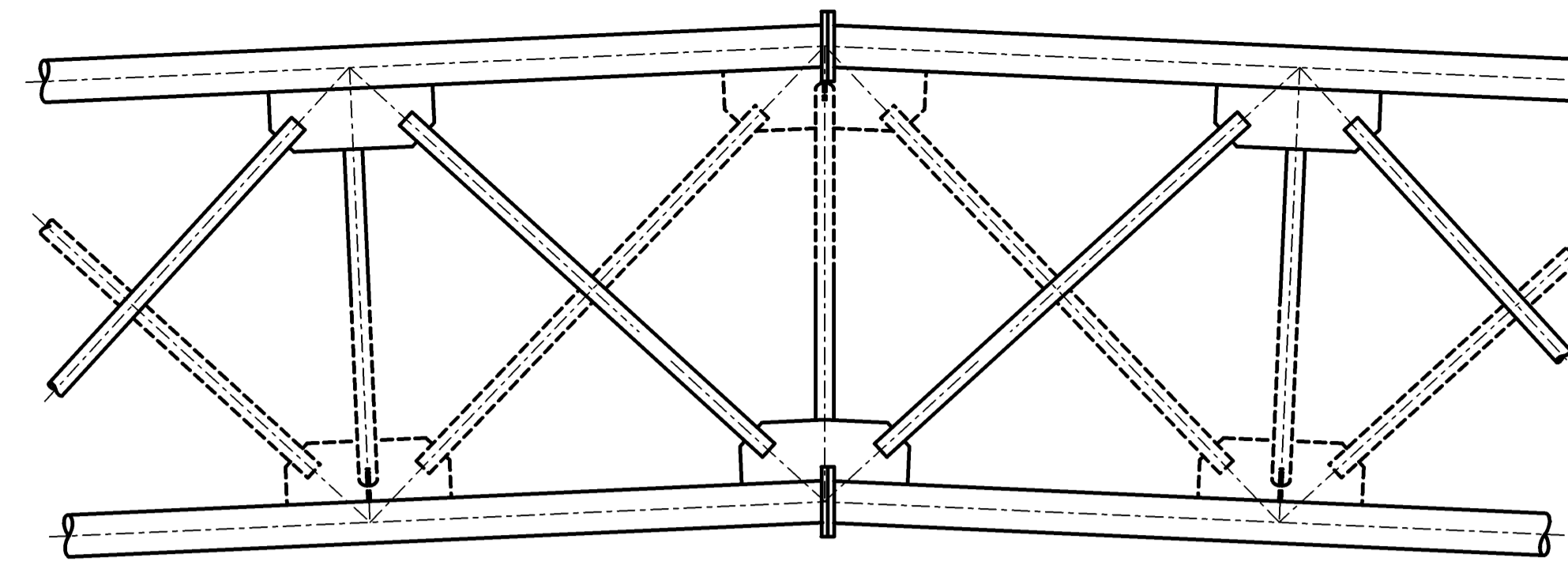
PIPE COUPLING PHYSICAL CHARACTERISTICS							
Pipe Diameter	Coupling Dim.			Qty.	Coupling Bolts* size	Rollers per Coupling	Coupling Weight
	"A"	"B"	"C"				
219	356	127	268	4	M22 x 2.5 x 125	24	17.2 kg.

* Use ASTM A183 bolts, with heavy hex nuts.

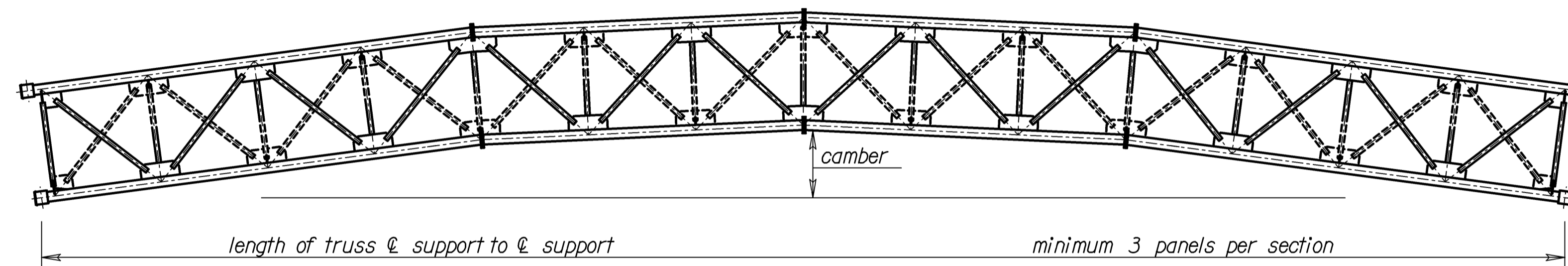
Note: Show, on the shop details, the type of pipe coupling used.



ASSEMBLED CONNECTION END VIEW



TYPICAL SPLICE
(showing camber method type 2)



TRUSS CAMBER

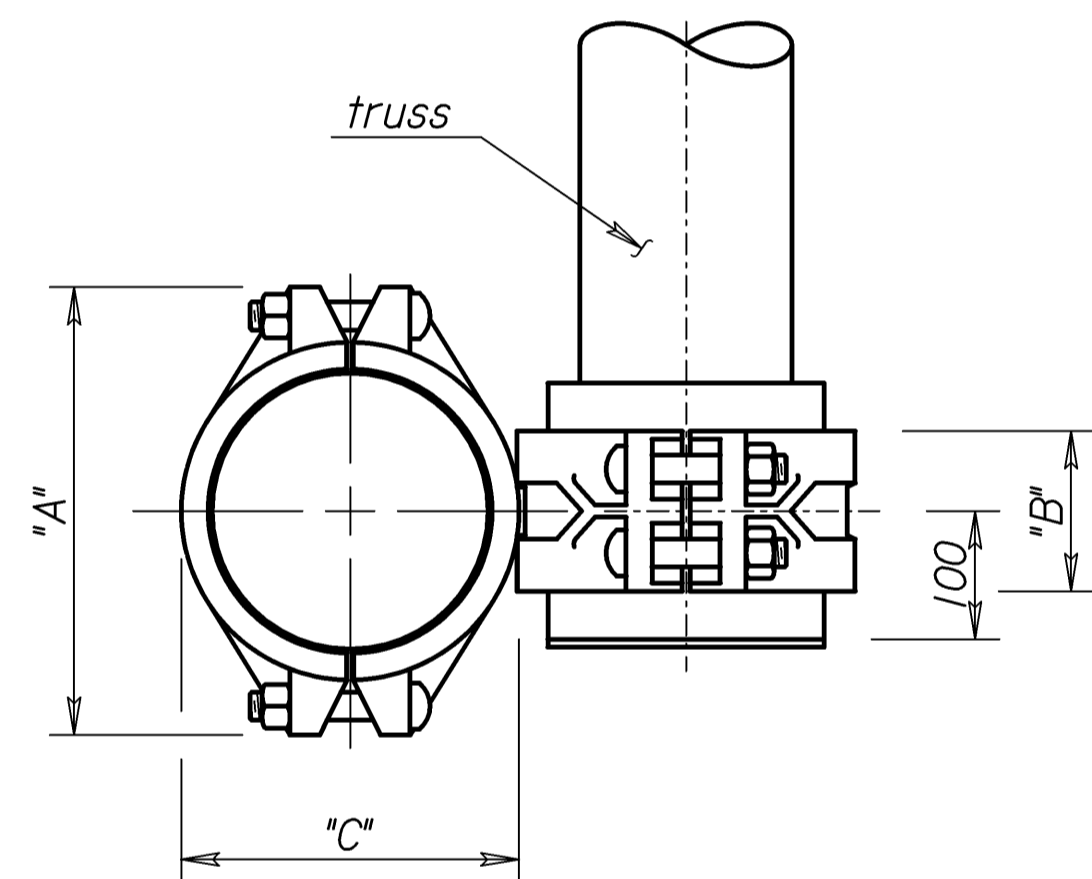
GENERAL NOTES

TRUSS TO END SUPPORT CONNECTION: Use cast pipe couplings equipped with serrated rollers, with housings drilled and spot faced for rivet swivel. Wedge all factory rollers, not the threaded rods, to the inside edge as shown, to prevent movement between the coupling and the steel tube. Use housings which conform to ASTM A47M Grade 22010 or to ASTM A536 Grade 604510 and are hot-dip galvanized according to ASTM A123. Use rivets which conform to ASTM A502 Grade 2.

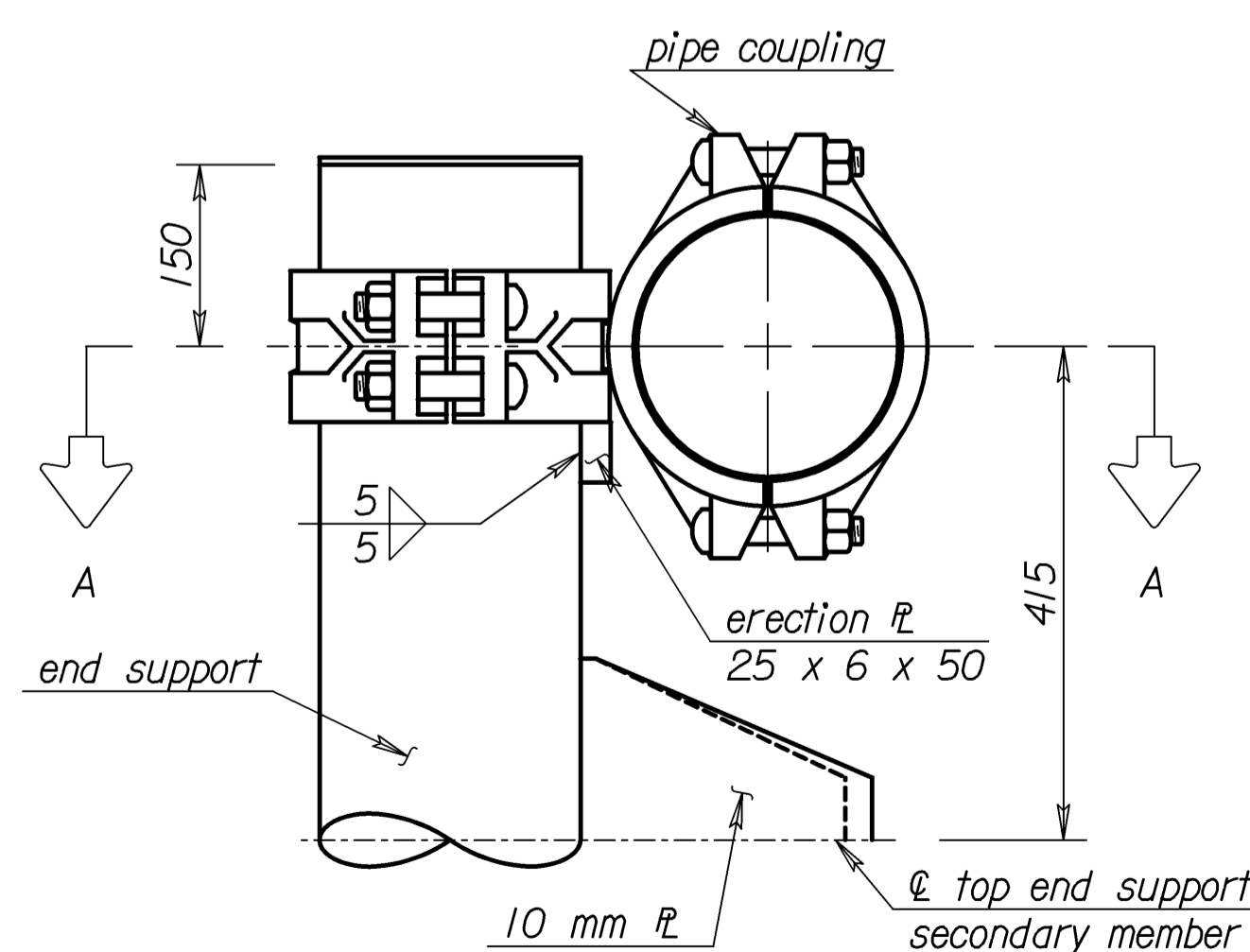
CAMBER: Camber the truss by the amount shown on the "Construction Layout" sheet, using one of the following methods;

- (1) Block the truss and then weld at the joints and weld the splice flanges into place.
- (2) Increase the length of the top truss chords, making sure the splice flanges will be parallel in the field.
- (3) Place light gage spacer plates on the top splice flanges to obtain an increase in the top truss chord as in (2).

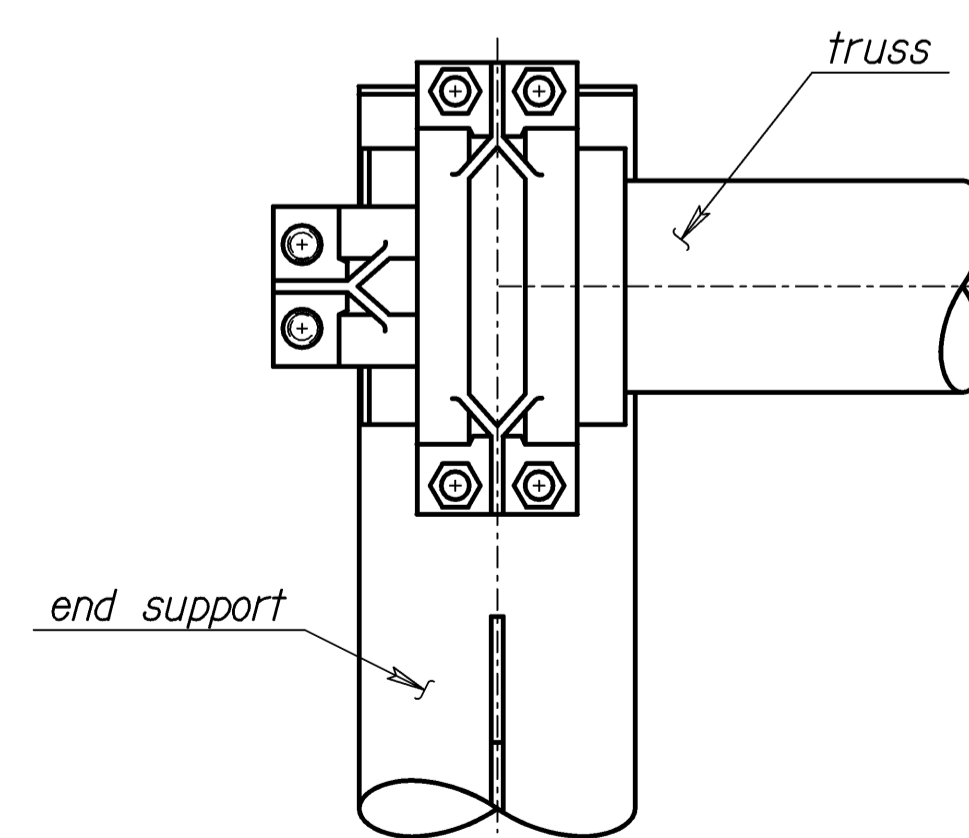
BOLT TORQUE: Torque the coupling bolts to 400 Nm using the calibrated wrench method.



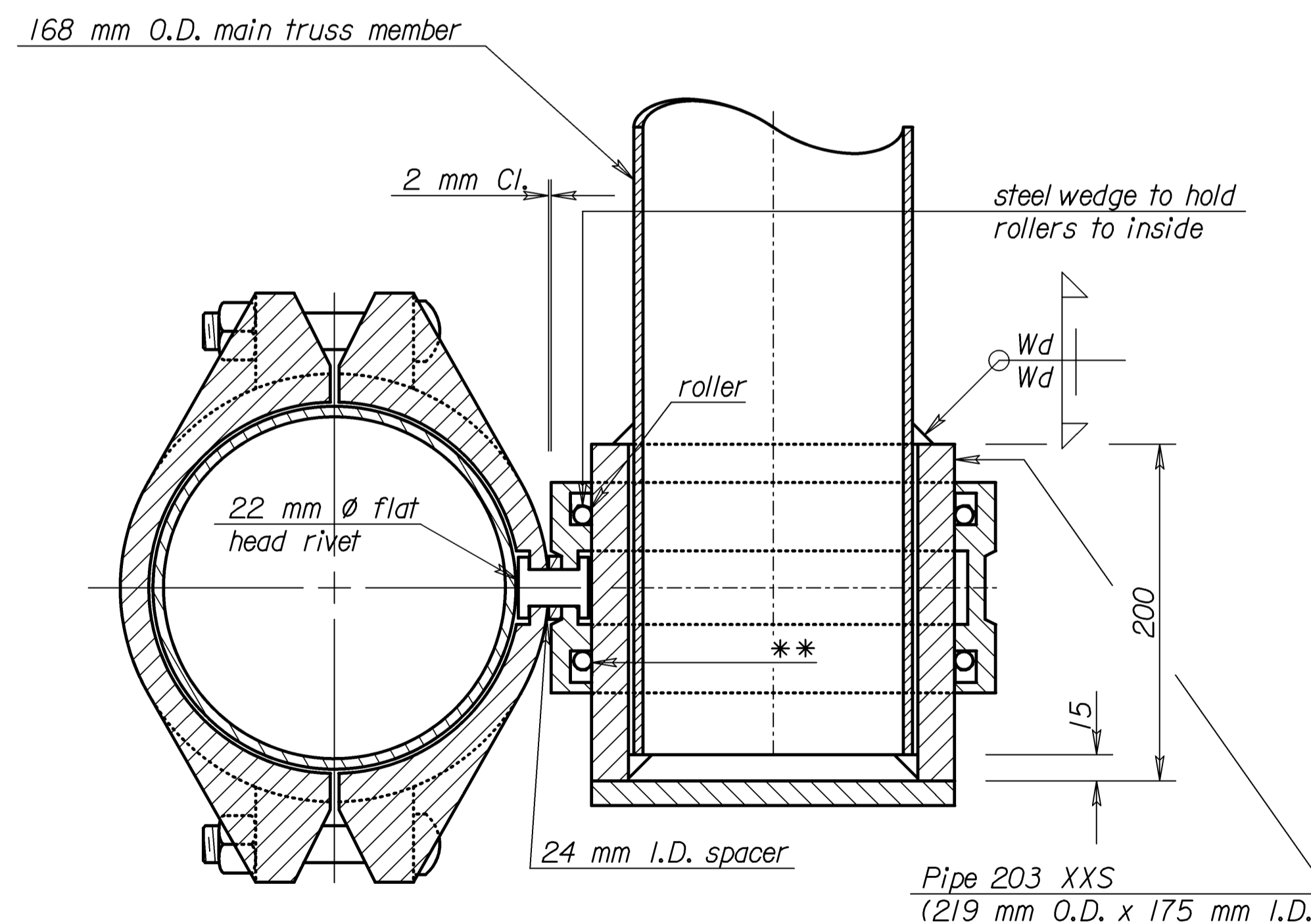
PLAN



END ELEVATION



SIDE ELEVATION



SECTION A-A

**Replace every other factory roller (alternating sides) with a threaded rod. Use hardened threaded rods which are 19 mm ($\pm 500 \mu\text{m}$) long by 14 288 μm (+400 μm or -130 μm) outside diameter. Use stainless steel rods which conform to ASTM A320/A320M and whose threads conform to 18NF Class 1A 14.

Main Truss Member Wall Thickness	Fillet Weld Size Wd
4.78	8
5.56	10
7.11	11
8.74	12

NO.	DATE	REVISIONS	BY	APP'D
KANSAS DEPARTMENT OF TRANSPORTATION STANDARD STRUCTURAL SIGN SUPPORTS SPAN TYPE OVERHEAD STEEL ALTERNATE TRUSS TO END SUPPORT CONNECTION AND CAMBER DETAILS SL151C-07 SI				
DESIGNED	RFM	DETAILED	KFH	QUANTITIES
DESIGN CK.	RDH	DETAIL CK.	RDH	QUAN. CK.
APP'D	4-10-97	APP'D	Kenneth F. Hurst	
CADD		CADD	CK.	DJE
CADD		CADD	CK.	LES

Std. Base File: sl151csi.dgn - Plot 7
 Plotted By: \$USER\$
 File: \$CONSPIC\$
 Plot Date: \$STTIME\$