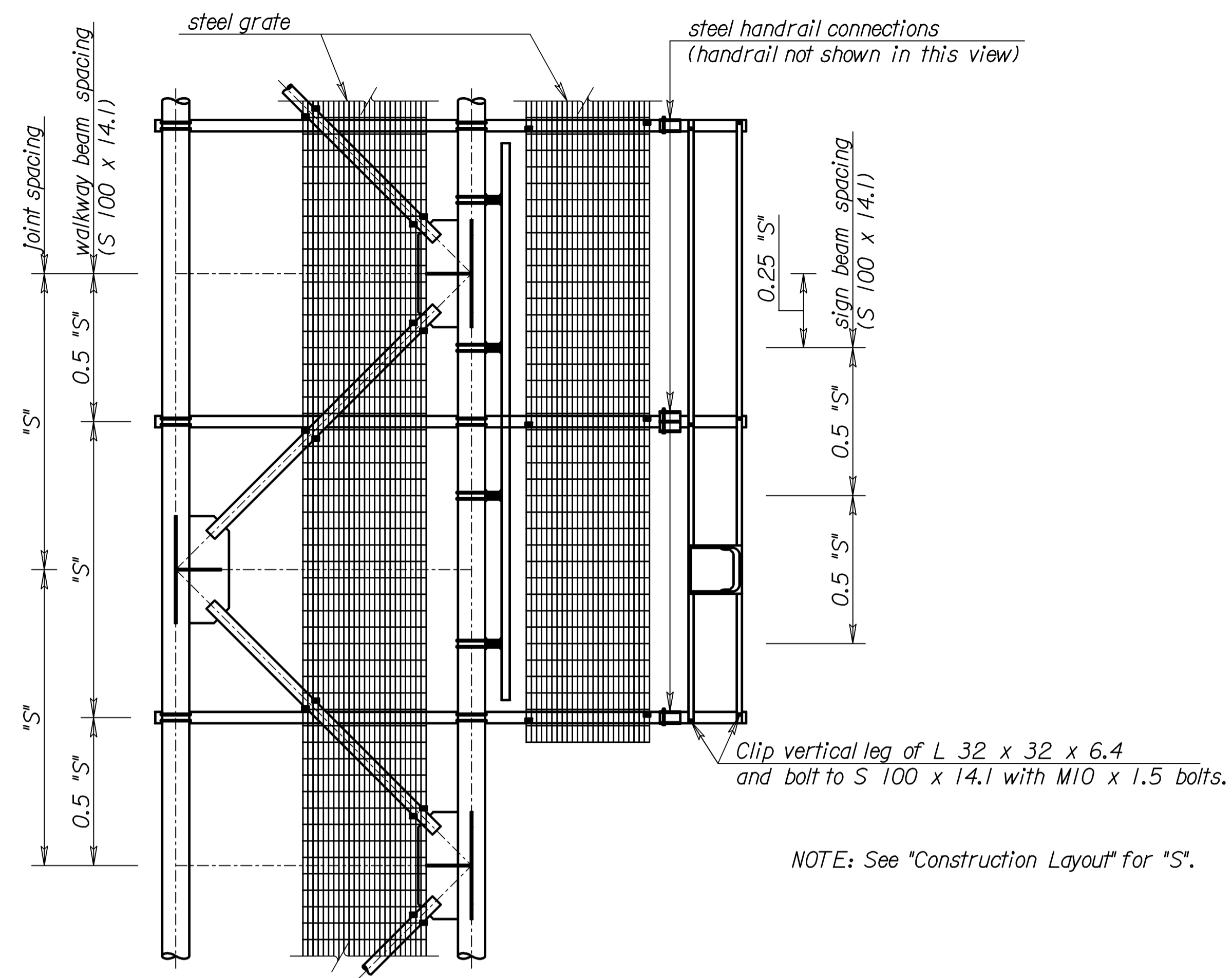
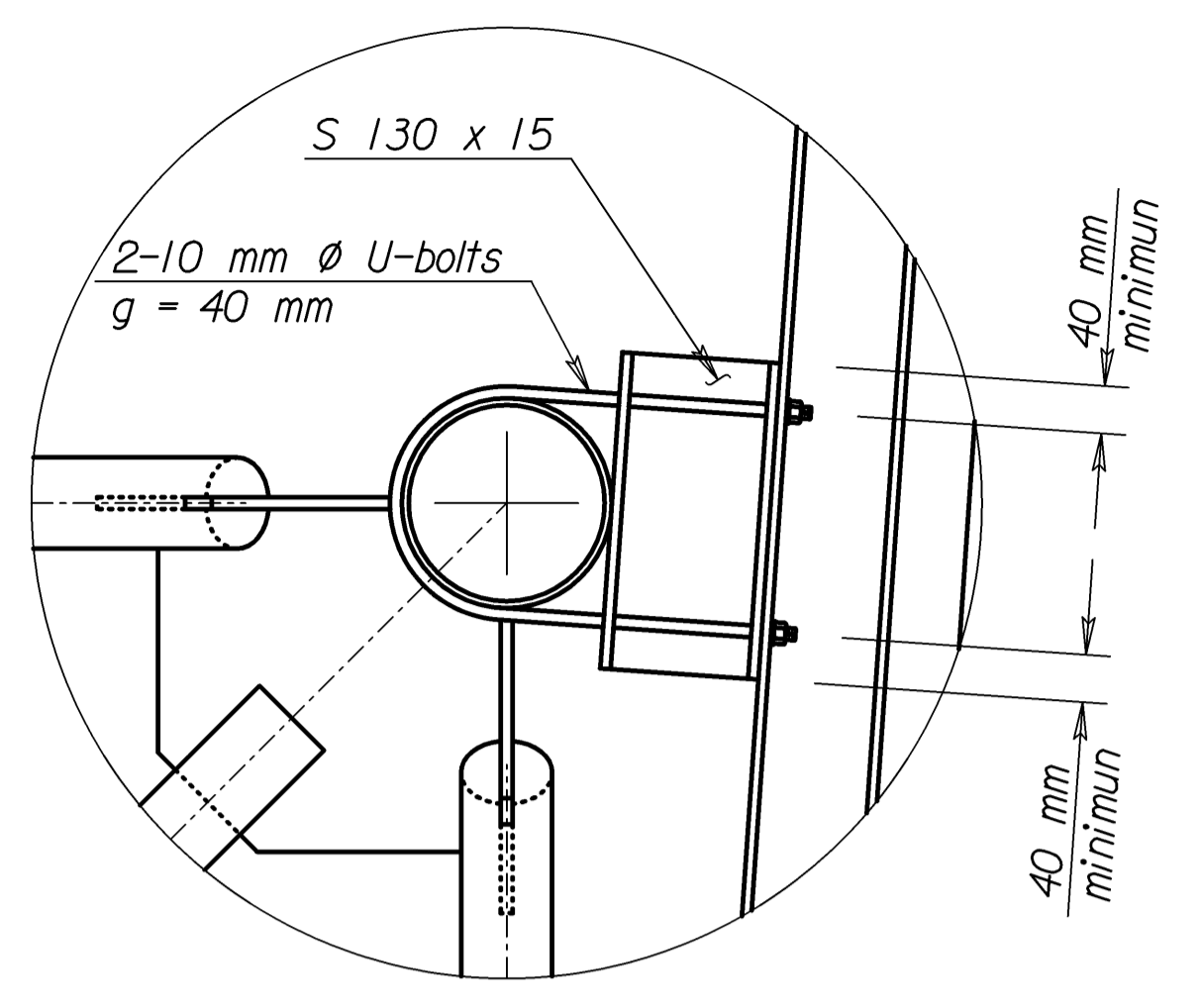


STATE	PROJECT NO.	YEAR	SHEET NO.	TOTAL SHEETS
KANSAS	54-87 K-8258-01	2007	478	556

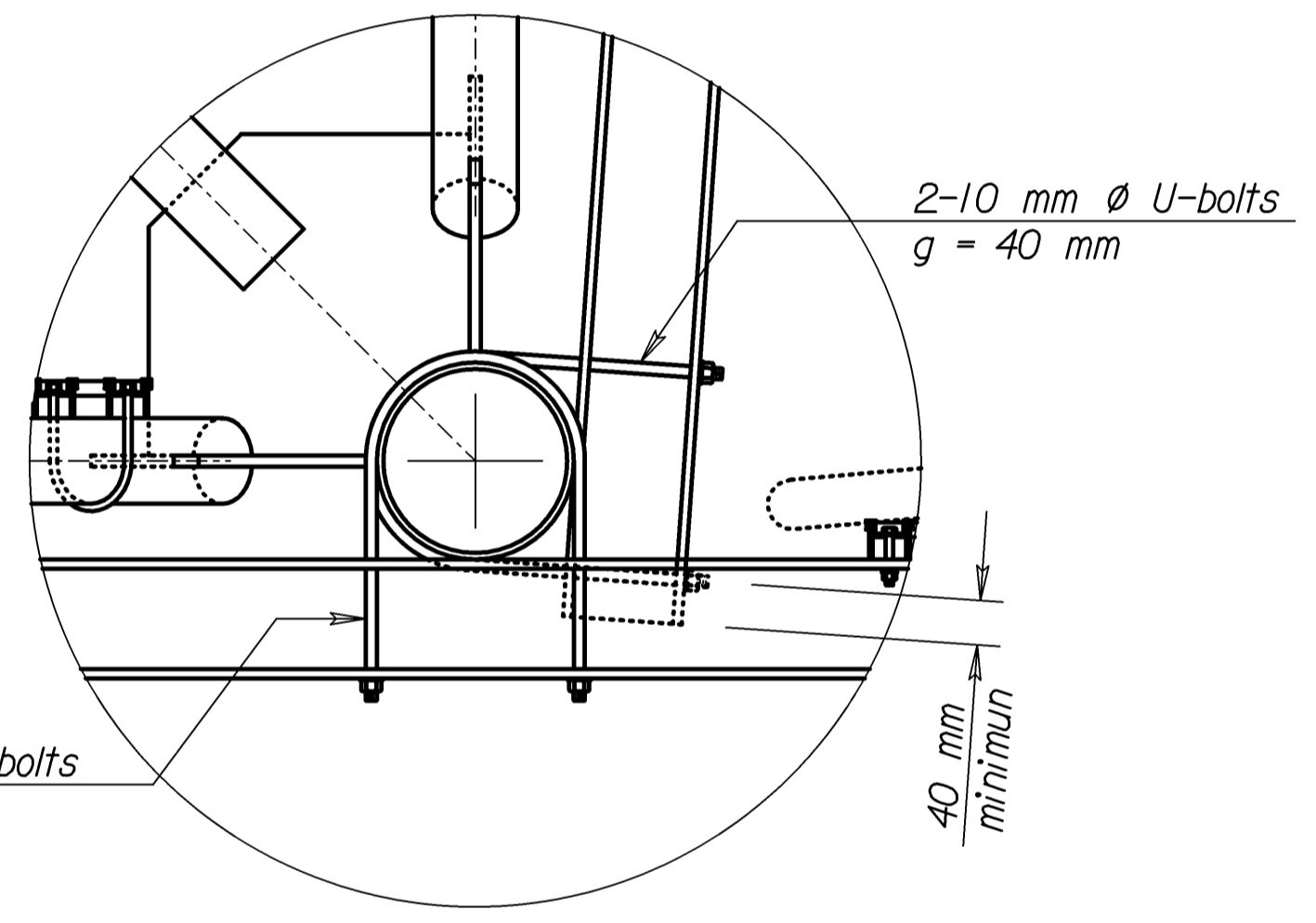


PLAN
(Only lower truss members shown.)

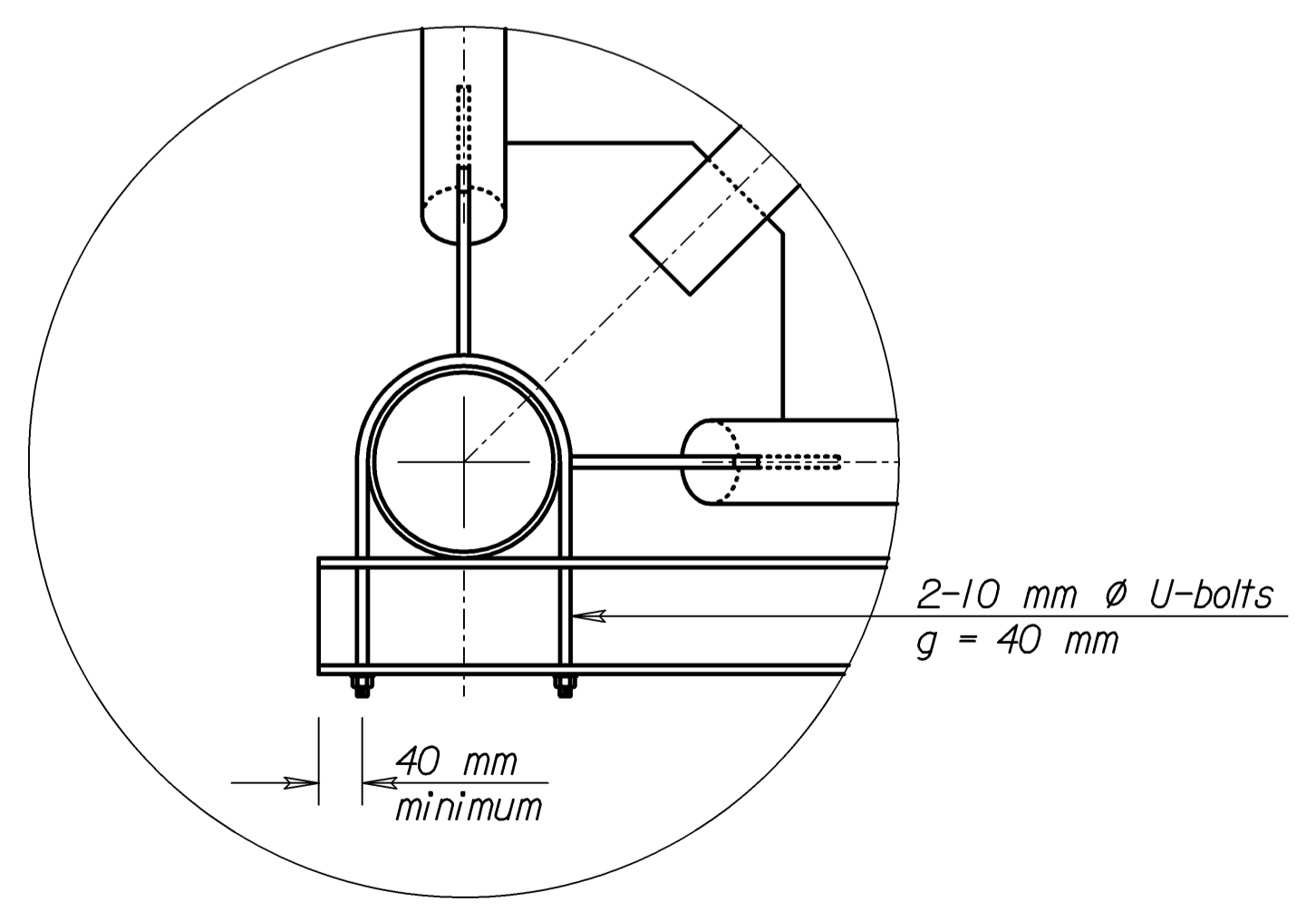
NOTE: See "Construction Layout" for "S".



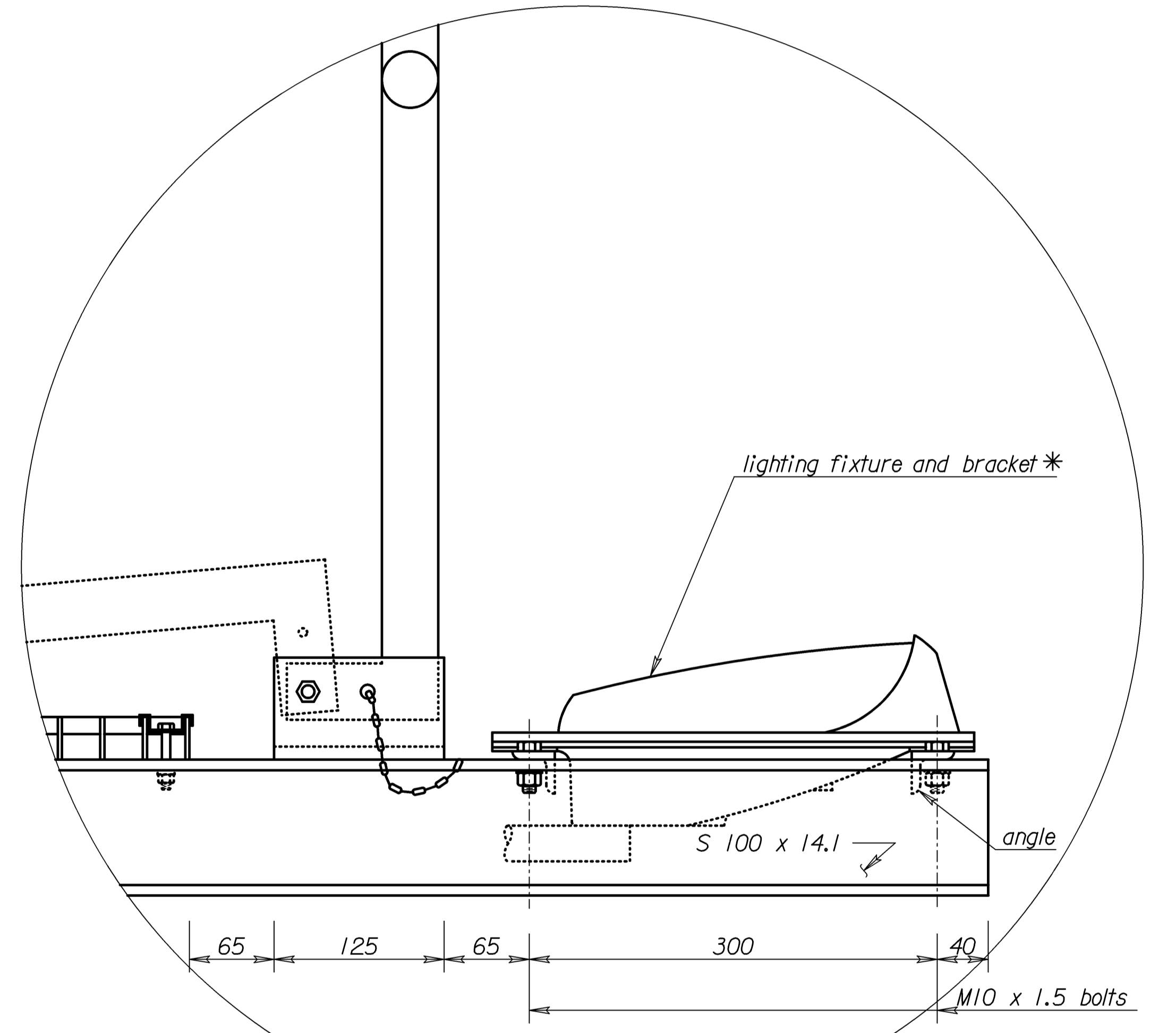
Detail A



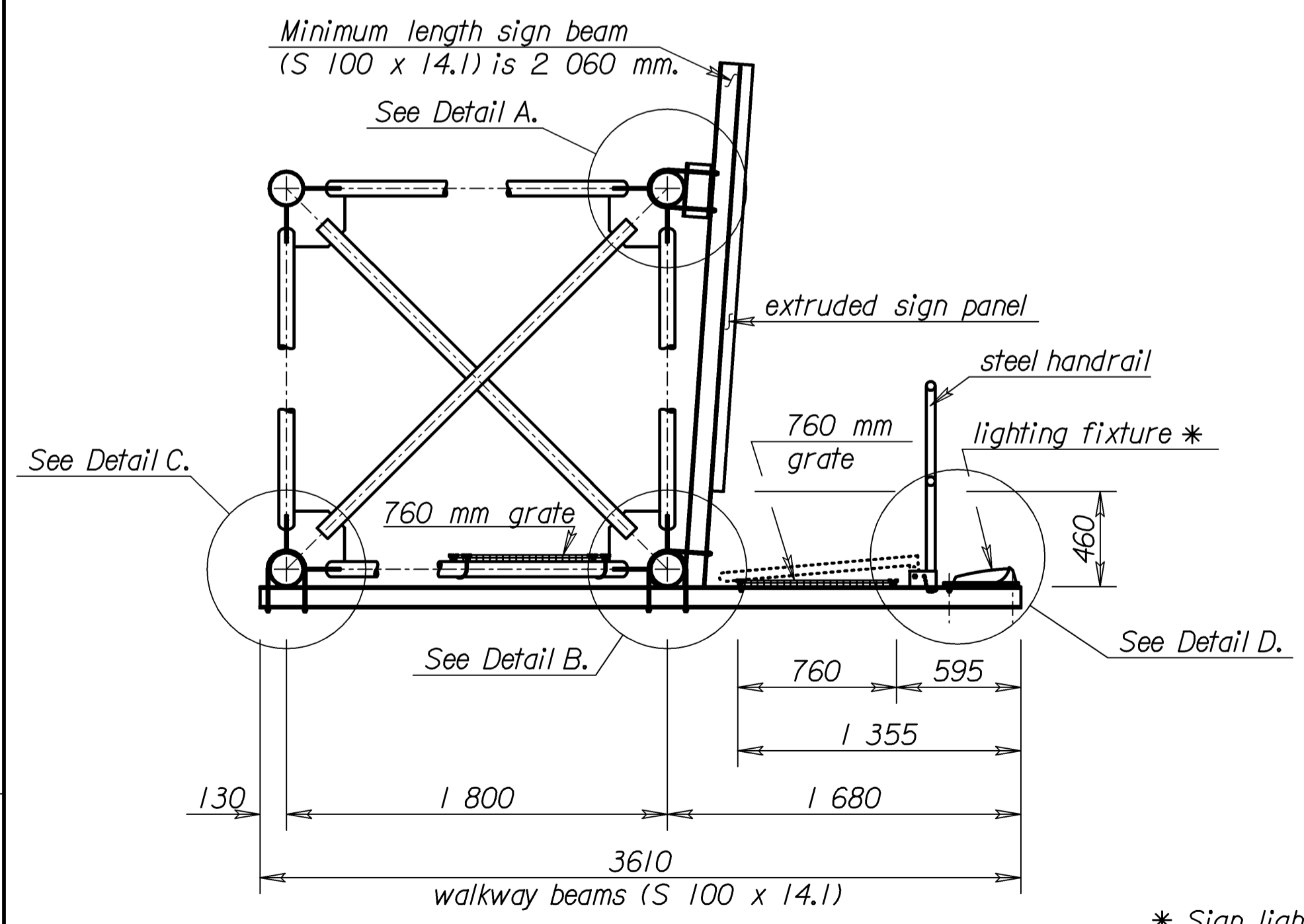
Detail B



Detail C



Detail D



ELEVATION

* Sign lighting is not included in the unit price bid for each structure.

Std. Base File: sl151csi.dgn - Plot 9
Plotted By: \$\$\$\$USERNAME\$\$\$ Plot Location: \$\$\$\$UNIT\$\$\$
File: \$\$\$\$CONSPECSPEC\$\$\$\$
Plot Date: \$\$\$\$STTIME\$\$\$\$

NO.	DATE	REVISIONS	BY	APP'D
KANSAS DEPARTMENT OF TRANSPORTATION STANDARD STRUCTURAL SIGN SUPPORTS SPAN TYPE OVERHEAD STEEL ALTERNATE SIGN MOUNTING AND WALKWAY DETAILS SL151C-09 SI				
DESIGNED	BFM	DESIGNED	JD/RD	APP'D
DESIGN CK.	KFH	DESIGN CK.	KFH	QUAN. CK.
				Kenneth F. Hurst
				CADD
				CADD CK.
				LES