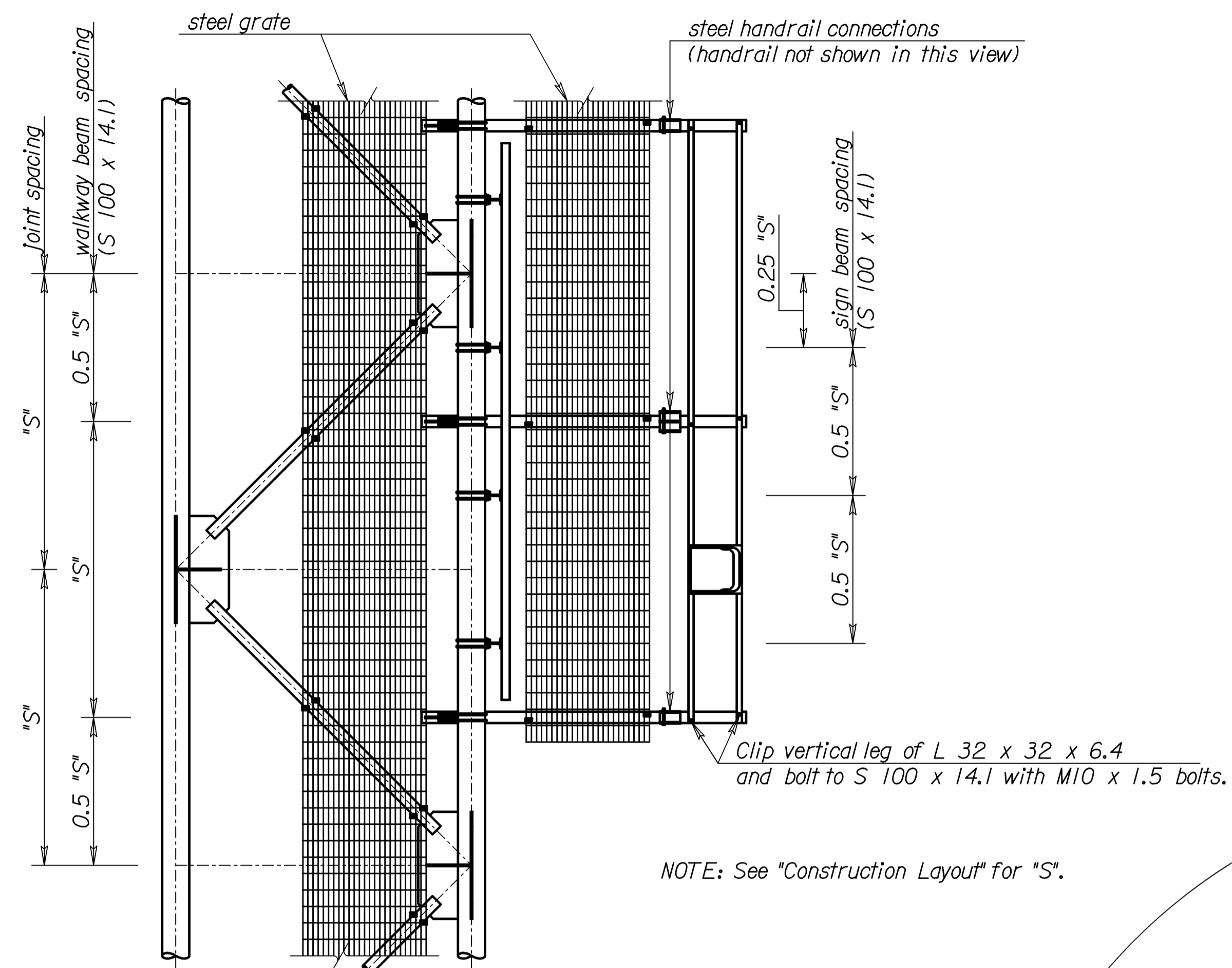
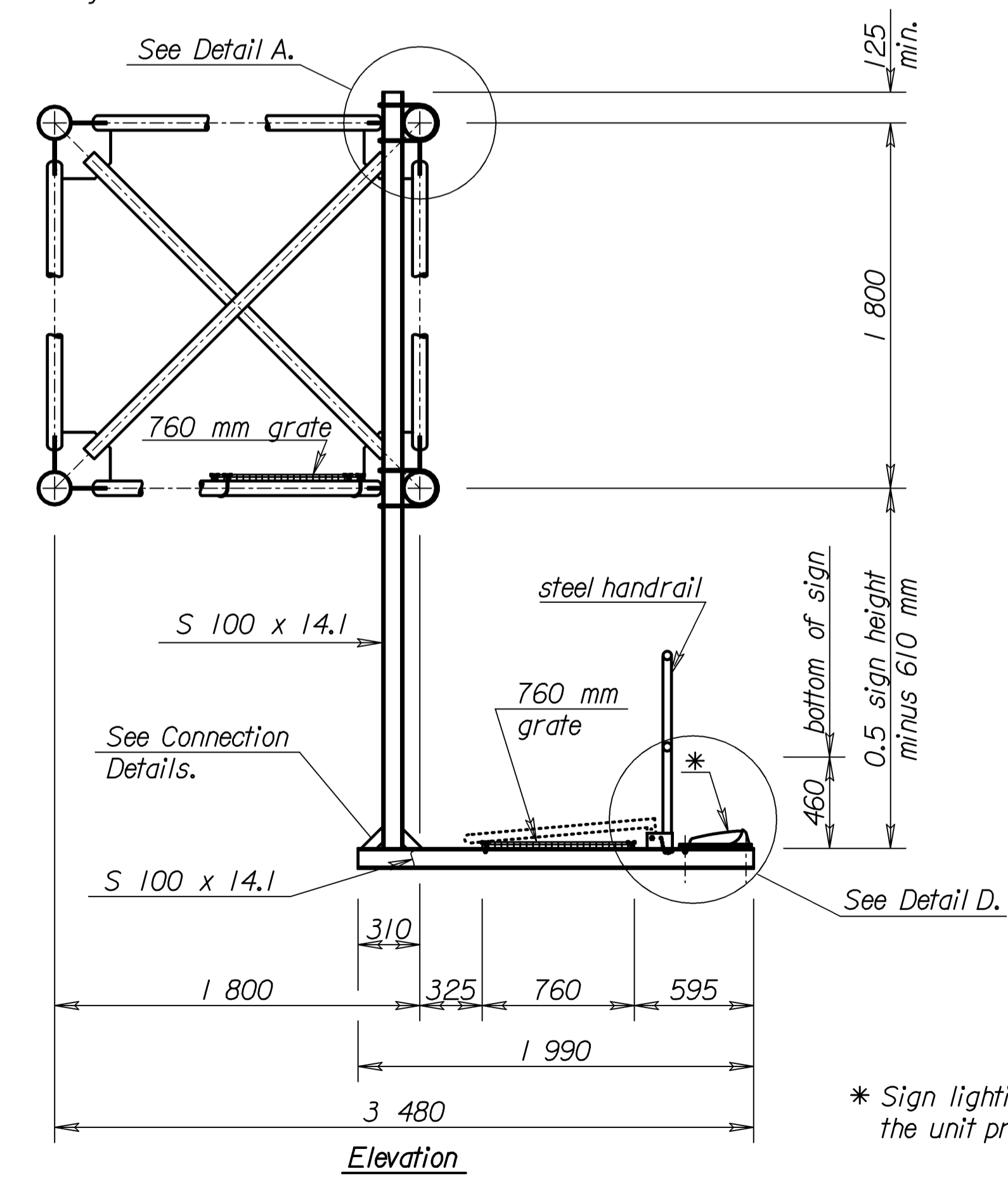


STATE	PROJECT NO.	YEAR	SHEET NO.	TOTAL SHEETS
KANSAS	54-87 K-8258-01	2007	480	556



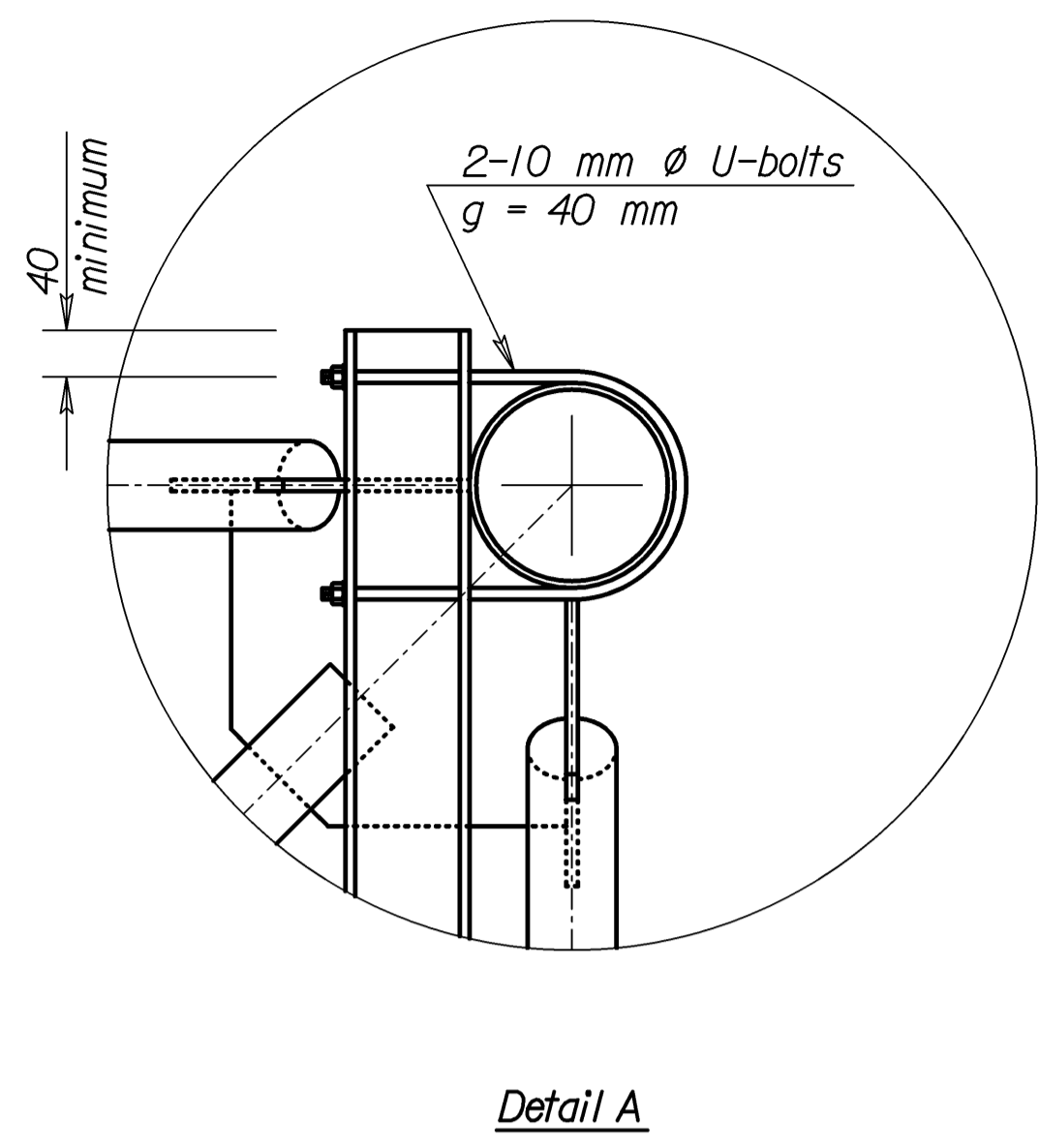
NOTE: See "Construction Layout" for "S".

**PLAN**  
(Only lower truss members shown.)

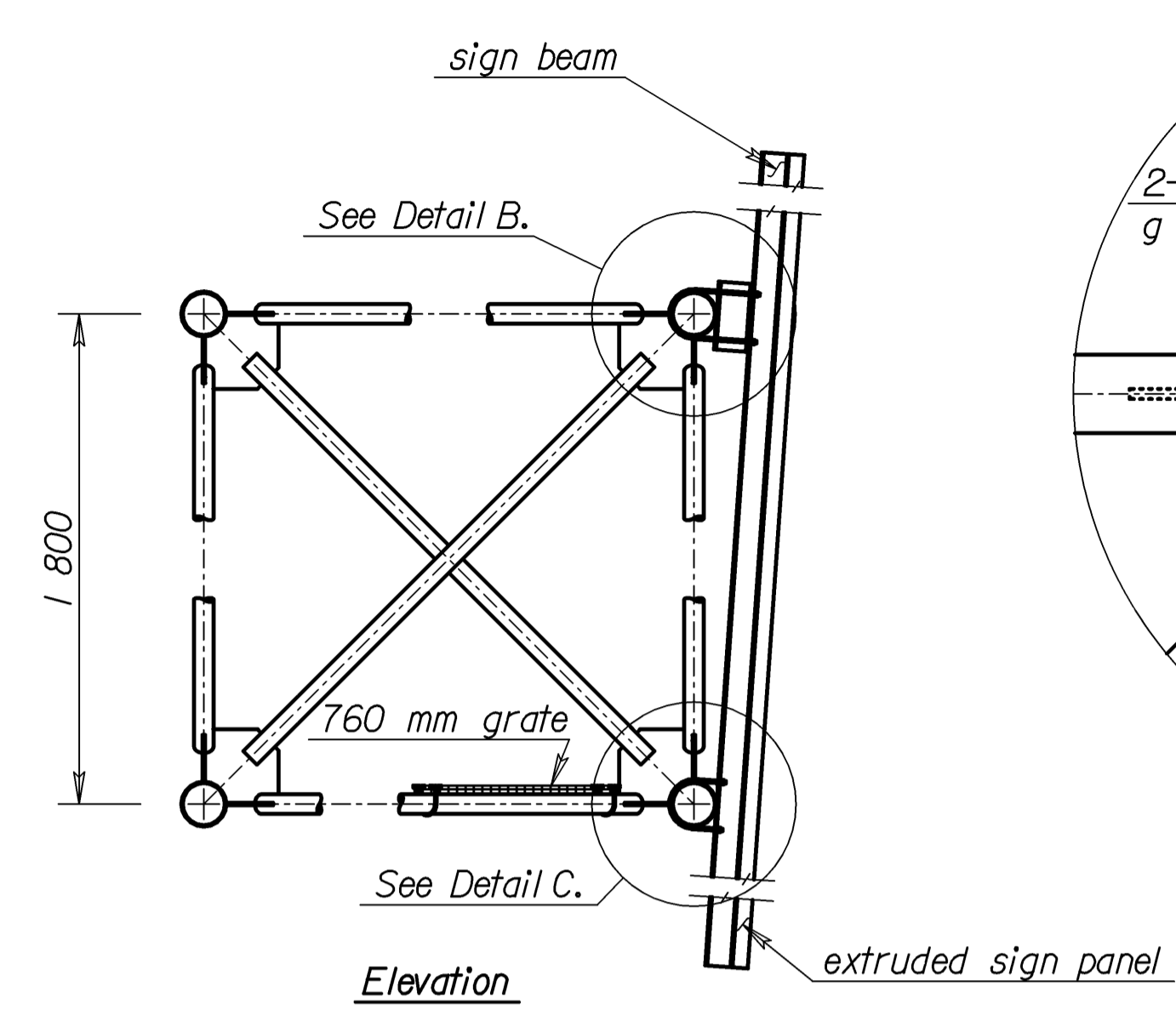


**Elevation**  
WALKWAY BEAM CONNECTION

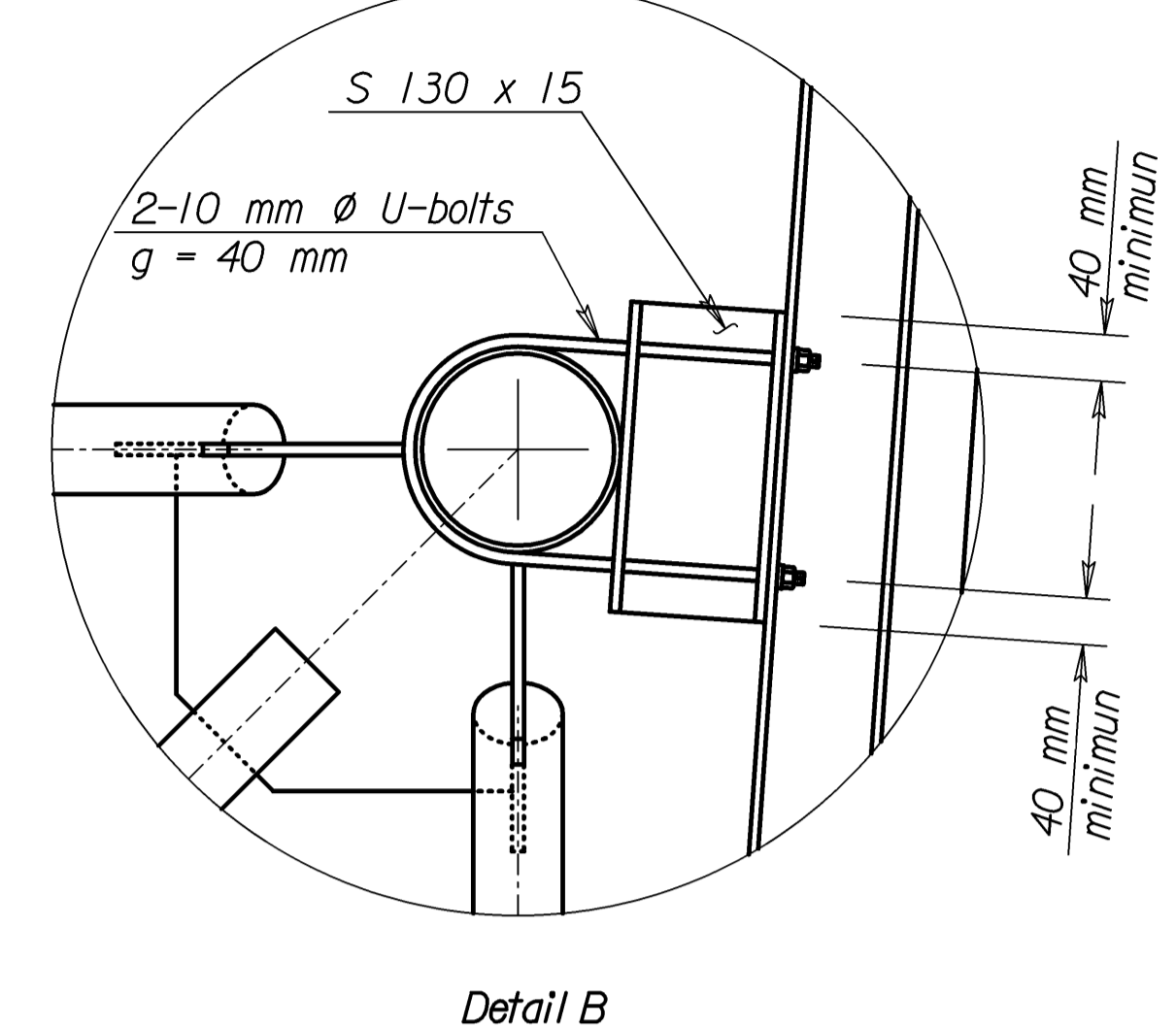
\* Sign lighting is not included in the unit price bid for each structure.



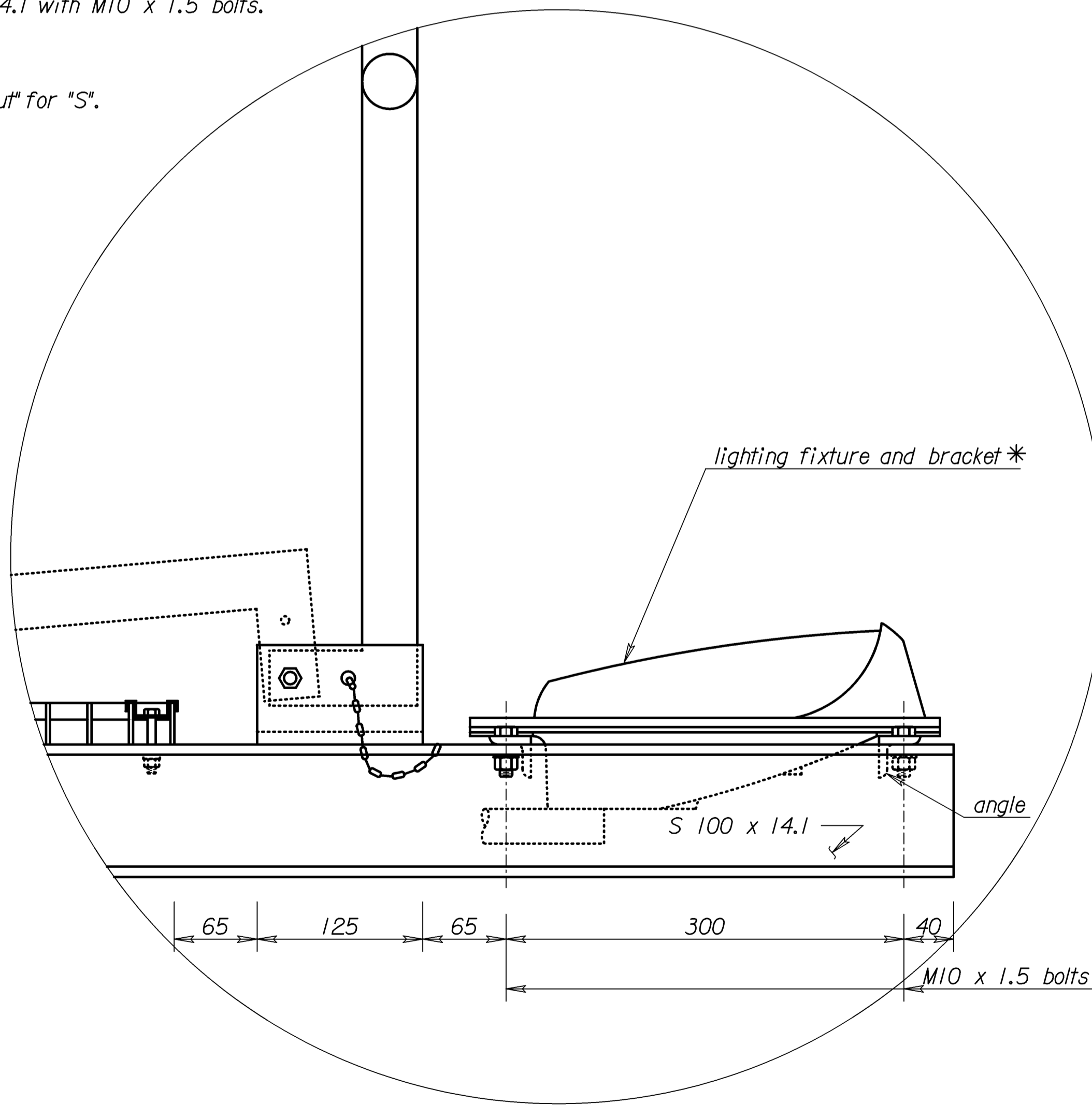
**Detail A**



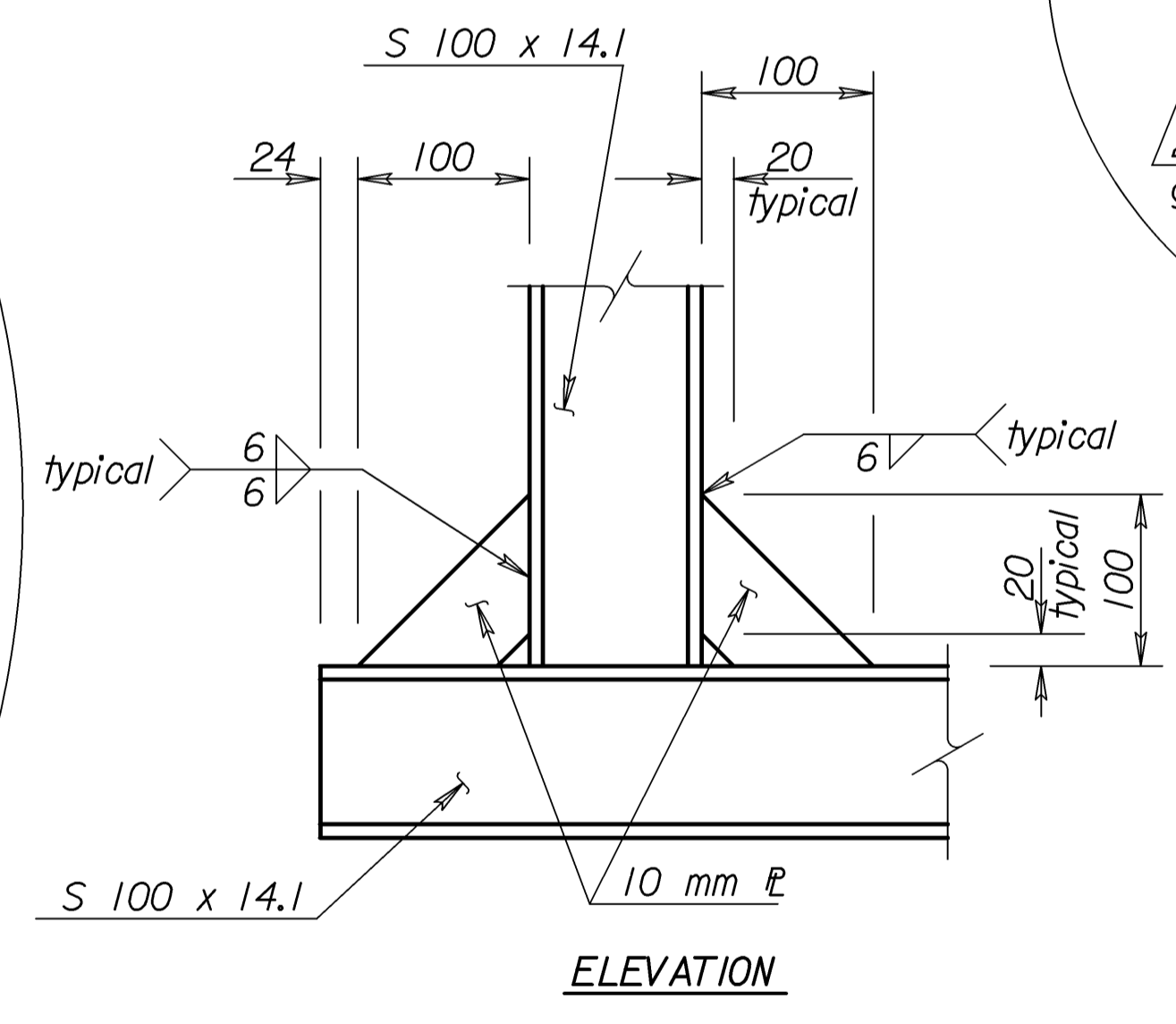
**SIGN BEAM CONNECTION**



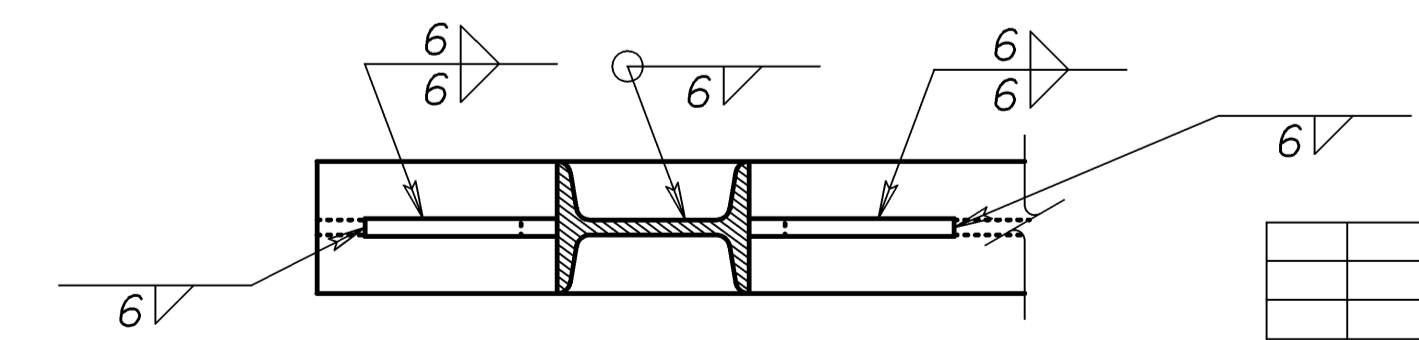
**Detail B**



**Detail D**

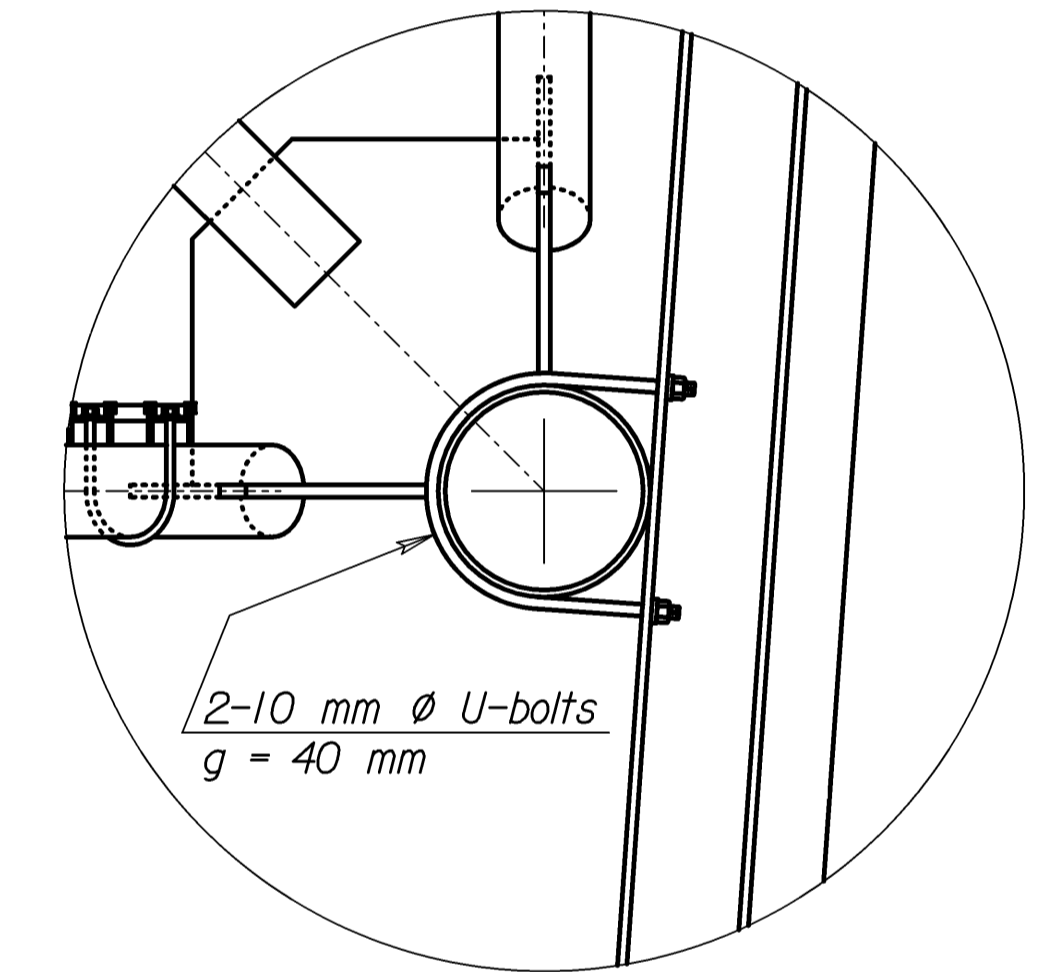


**ELEVATION**



**PLAN**

**CONNECTION DETAILS**



**Detail C**

Std. Base File: sl151csi.dgn - Plot 11  
 Plotted By: \$\$\$\$  
 File: \$\$\$\$  
 Plot Date: \$\$\$\$

NO.	DATE	REVISIONS	BY	APP'D
<b>KANSAS DEPARTMENT OF TRANSPORTATION</b> STANDARD STRUCTURAL SIGN SUPPORTS SPAN TYPE OVERHEAD STEEL ALTERNATE SPECIAL SIGN MOUNTING AND WALKWAY DETAILS SL151C-II SI				
DESIGNED	LES	APP'D	4-10-97	Kenneth F. Hurst
DESIGN CK.	BR	QUANTITIES	CADD	DJE
	BR	QUAN. CK.	CADD CK.	LES