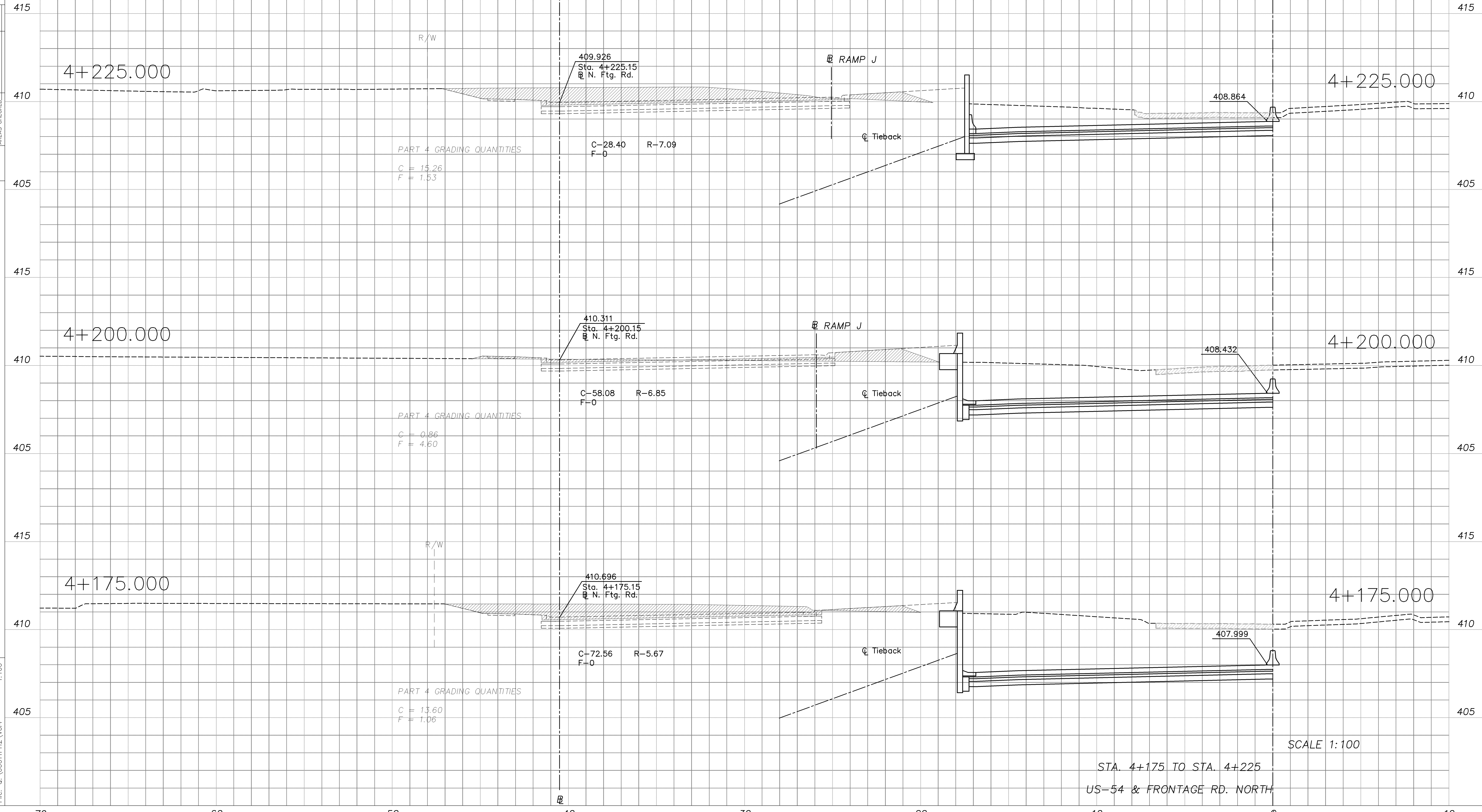


F.H.W.A. REGION NO.	STATE	PROJECT NO.	FISCAL YEAR	SHEET NO.	TOTAL SHEETS
7	KANSAS	54-87 K-8258-01	2007	546	556

STA. 4+244.422 END CONSTRUCTION THIS PROJECT

DATE
BY
FINAL SURVEY
PLOTTED AREAS
AREAS CHECKED



XSD35
1:100
Plotted:
Drawn by:
File: Q:\00011PH2\Vol4

SCALE 1:100
STA. 4+175 TO STA. 4+225
US-54 & FRONTAGE RD. NORTH